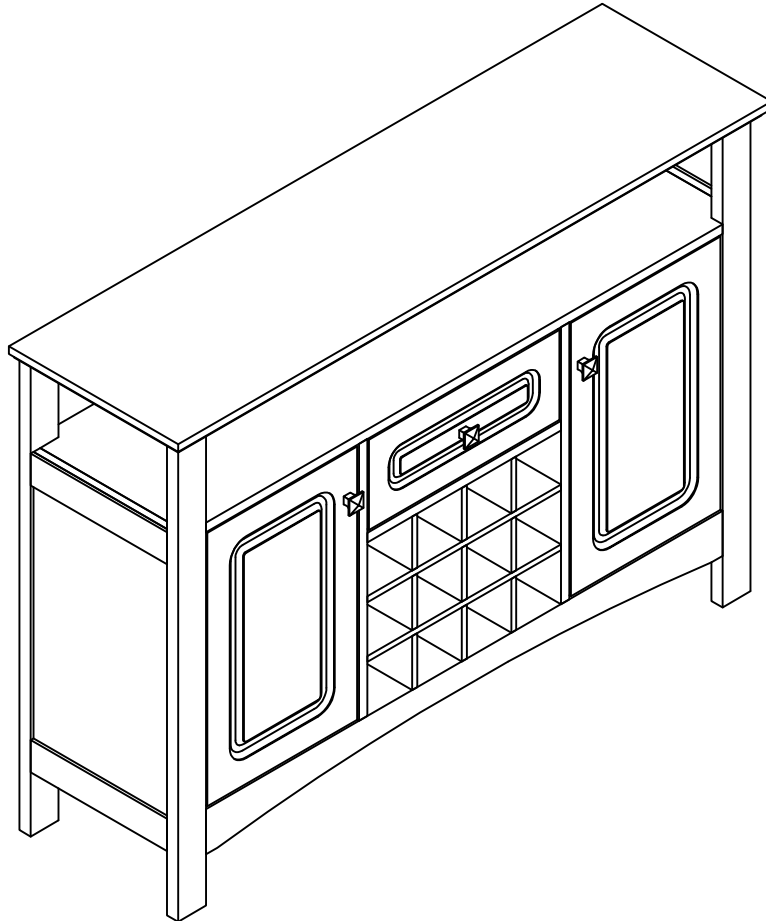


# ASSEMBLY INSTRUCTIONS

## Style #WR1347 Wine Rack



### NOTE TO CUSTOMERS:

- For ease and speed of assembly we recommend that before you commence each step of the assembly that you identify all the parts required to complete that step.
- We recommend that where possible you allow sufficient space to assemble the item as close as possible to the place where it will be once assembled.
- For the protection of your furniture we recommend that the product is placed on protected surfaces during assembly to prevent any damage.
- During assembly do not over tighten, as this may damage the product.
- Please ensure you retain all the product packaging until the item completely assembled.
- Please periodically check all fittings and re-tighten as necessary.
- Please never allow any liquids to remain on your furniture as absorption can cause the wood to warp or finish to de-laminate.
- It is recommended that this item should be assembled by two adults.

## To insert a cam lock: (Please read below instructions before assembling)

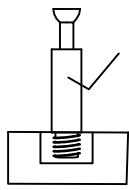
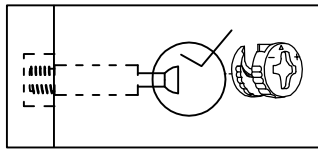


Diagram A



1. Insert cam screw into hole as shown in diagram A .

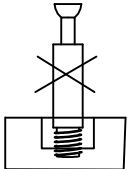
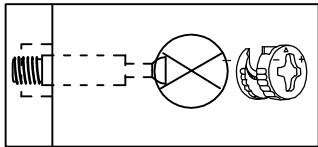


Diagram B



Make sure not to insert the cam screw:  
Too deep as shown in figure B as this will cause the  
cam screw to be misaligned and unable to  
interlock properly.

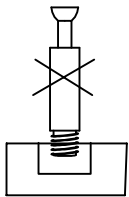
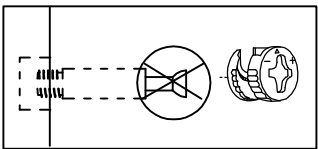
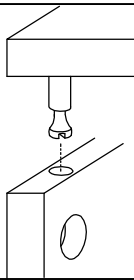


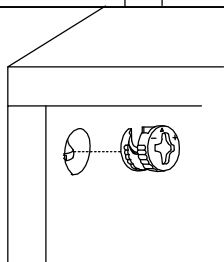
Diagram C



Also avoid inserting the cam screw too close to the  
surface of the hole as shown in figure C, as this will  
cause the cam lock to be too loose, and not interlock  
properly.



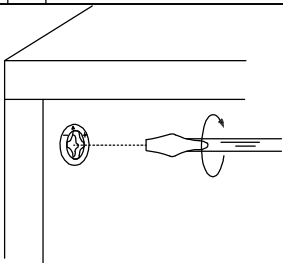
2. Connect the panels together.



ARROW SIGN



3. When inserting the cam lock make sure the arrow  
of the cam lock faces the cam screw.



4. To tighten the cam lock turn the cam lock clockwise  
90-180 degree or until the arrow is facing opposite  
the place cam lock was inserted.

**NOTE: DO NOT USE AN AUTOMATIC  
SCREWDRIVER TO TIGHTEN CAM LOCKS.**

### Note:

- Read these instructions carefully before assembling.
- Tools required : Phillips screwdriver, flat screwdriver.
- Find a clean, smooth area on which to work , such as a carpet, in order to avoid scratching the wood surfaces.
- Wait to dispose of the packing material until assembly is complete and all parts and hardware are accounted for.
- Two or more people might be required for assembly.



# WARNING:

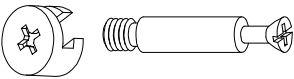

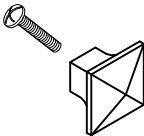
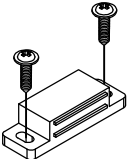
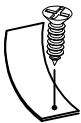


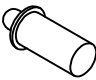
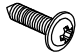
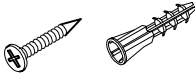
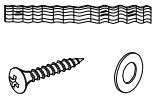
**Serious or fatal crushing injuries can occur from furniture tip-over.**

**To help prevent tip-over:**

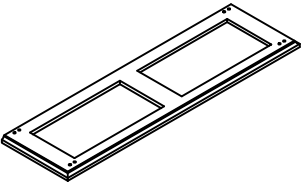
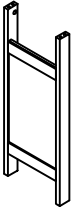
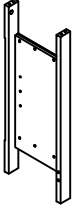
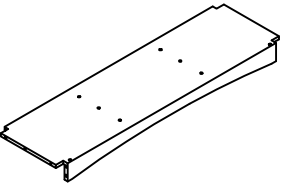
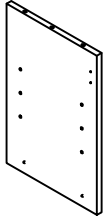
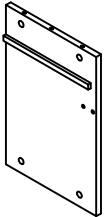
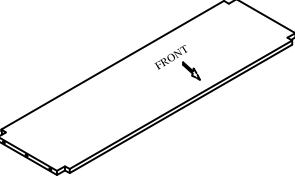
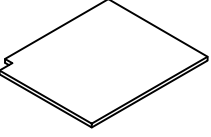
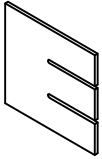
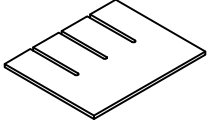

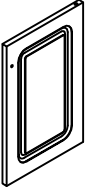
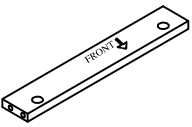
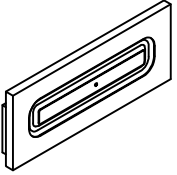
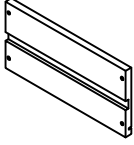
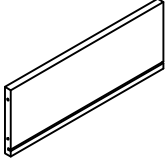
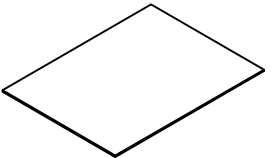
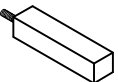
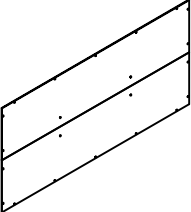
- Place heaviest item in the lowest drawers.
- Unless specifically designed to accommodate, do not set TVs or other heavy objects on top of this product.
- Never allow children to climb or hang on drawers, doors or shelves.
- Never open more than one drawer at a time. (OR)
- Do not defeat or remove the drawer interlock system.

Use of tip-over restraints may only reduce, but not eliminate the risk of tip-over.



## Hardware List

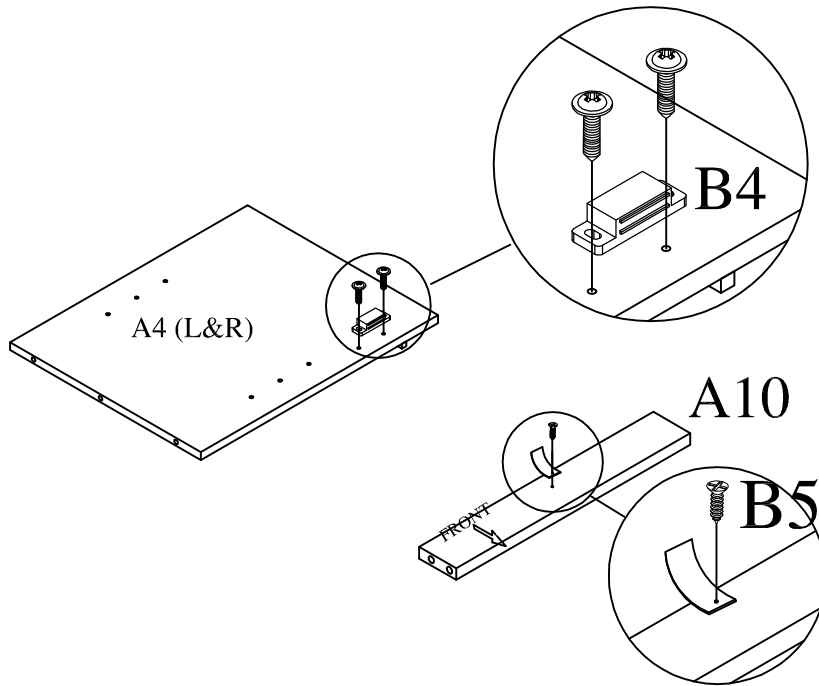
B1  Camlock 22sets	B2  Wood dowel 18pcs	B3  Knob with Bolt 3sets
B4  Magnet 2sets	B5  Stopper with Screw 1set	B6  Shelf Support 8pcs
B7  Screw 8pcs	B8  Door Pin 4pcs	B9  Screw 22pcs
B10  Anchor with Screw 1set	B11  Anti-tip kit 1set	

# Part List

<p>A1 1pc</p>  <p>Top Panel</p>	<p>A2L 1pc</p>  <p>Left Side Panel</p>	<p>A2R 1pc</p>  <p>Right Side Panel</p>	<p>A3 1pc</p>  <p>Bottom Panel</p>
<p>A4L 1pc</p>  <p>Left Divider</p>	<p>A4R 1pc</p>  <p>Right Divider</p>	<p>A5 1pc</p>  <p>Shelf</p>	<p>A6 2pcs</p>  <p>Adjustable Shelf</p>
<p>A7 3pcs</p>  <p>Cross Panel</p>	<p>A8 2pcs</p>  <p>Cross Panel</p>	<p>A9L 1pc</p>  <p>Left Door</p>	<p>A9R 1pc</p>  <p>Right Door</p>
<p>A10 1pc</p>  <p>Cross Bar</p>	<p>A11 1pc</p>  <p>Drawer Front Panel</p>	<p>A12 2pcs</p>  <p>Drawer Side Panel</p>	<p>A13 1pc</p>  <p>Drawer Back Panel</p>
<p>A14 1pc</p>  <p>Drawer Bottom Panel</p>	<p>A15 1pc</p>  <p>Center Feet</p>	<p>A16 1pc</p>  <p>Back Panel</p>	



# Step 1

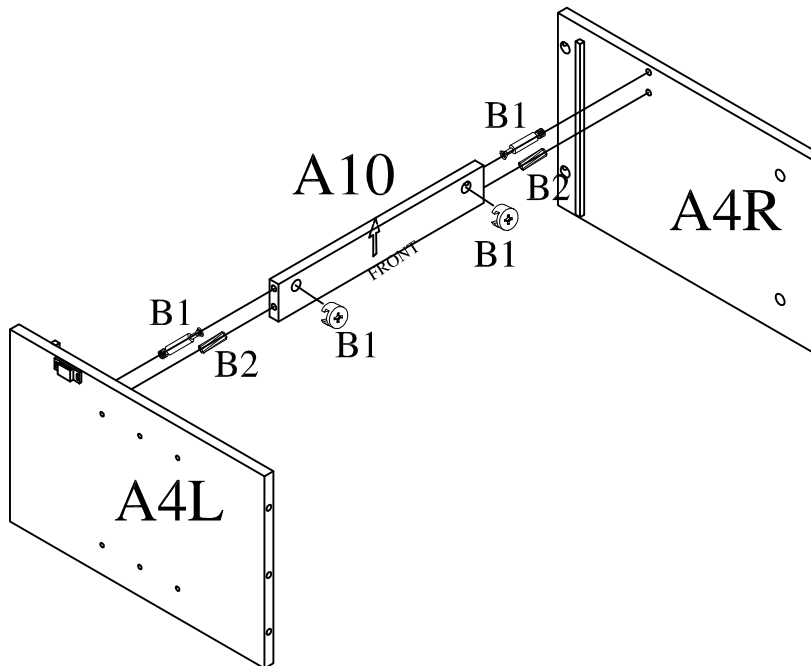
B4:		2sets
B5:		1set



- 1): Attach Magnets B4 to Dividers A4(L&R) using included screws , please note holes are pre-drilled.
- 2): Attach Stopper B5 to Cross Bar A10 using included screw, please note holes are pre-drilled.

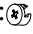
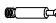

# Step 2

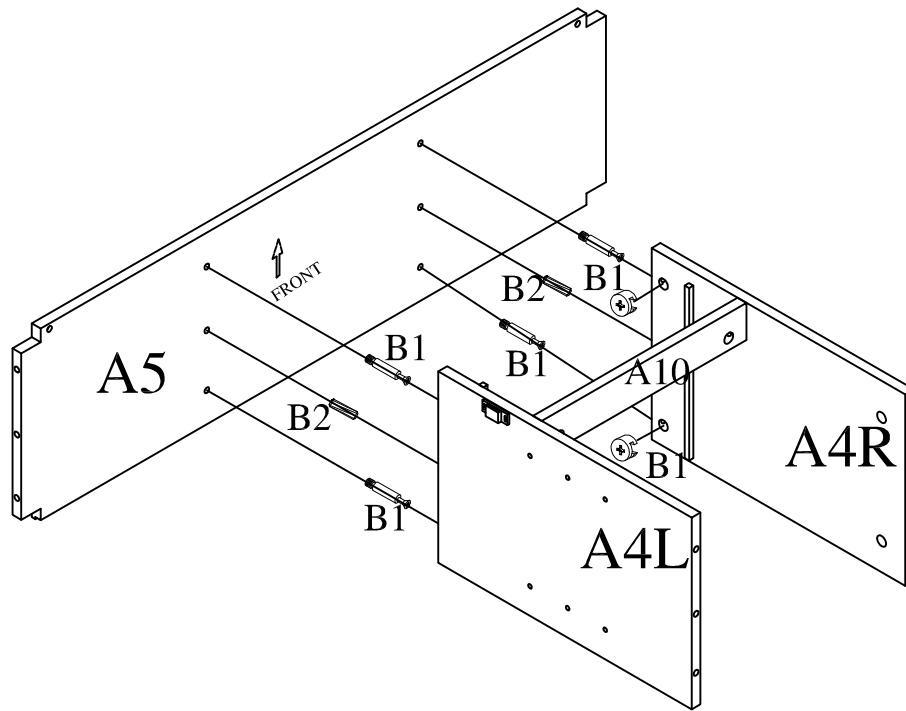
B1:		2sets
B2:		2pcs



Assemble Cross Bar A10 to Dividers A4 (L&R) using Camlocks B1 and Wood Dowels B2.


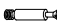

# Step 3

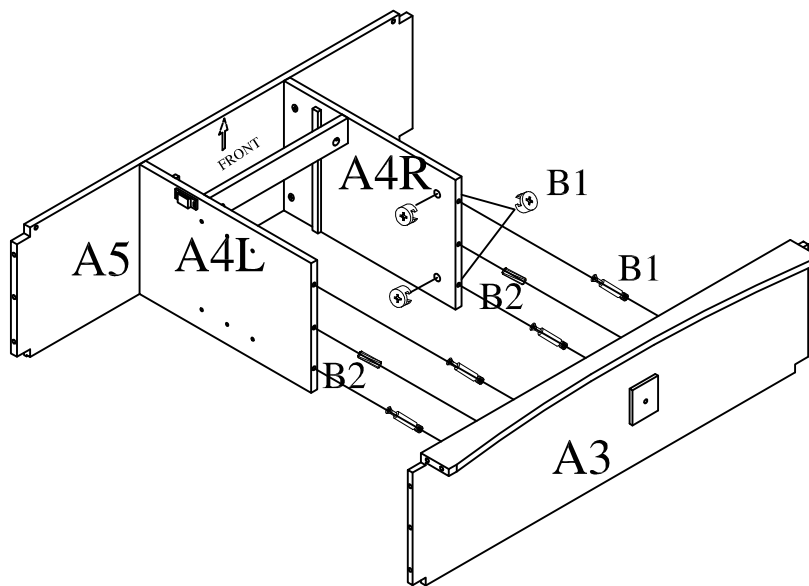
B1:			4sets
B2:			2pcs



Assemble Shelf A5 to Dividers A4 (L&R) using Camlocks B1 and Wood Dowels B2.



# Step 4

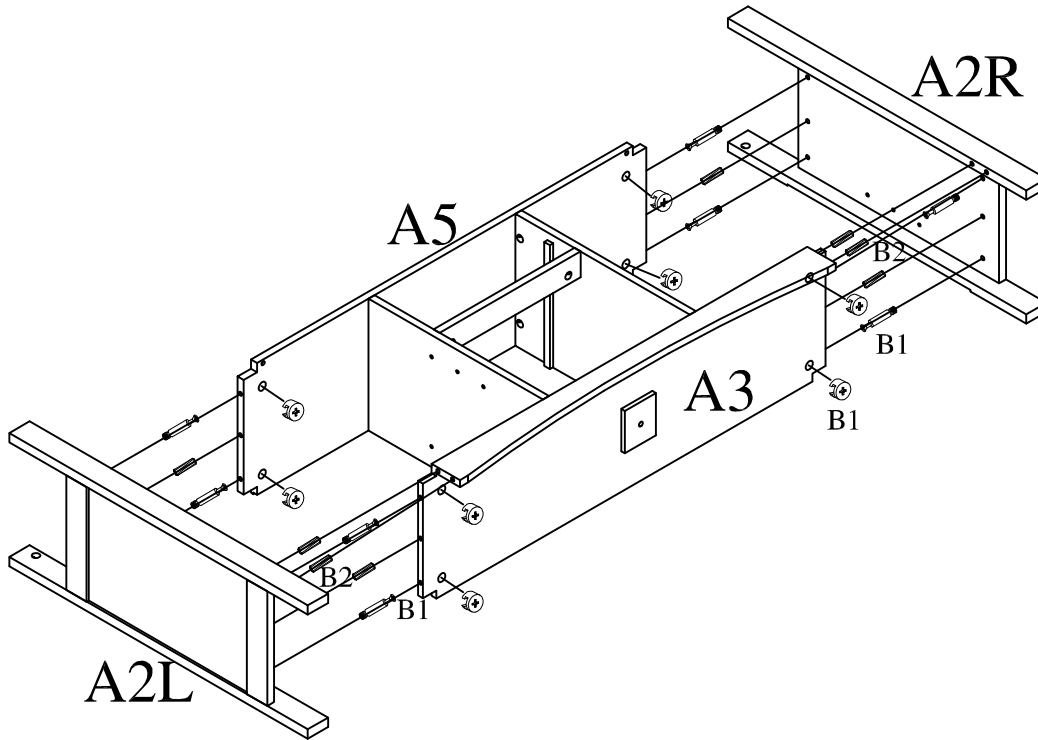
B1:			4sets
B2:			2pcs



Assemble Bottom Panel A3 to Dividers A4 (L&R) using Camlocks B1 and Wood Dowels B2.



## Step 5

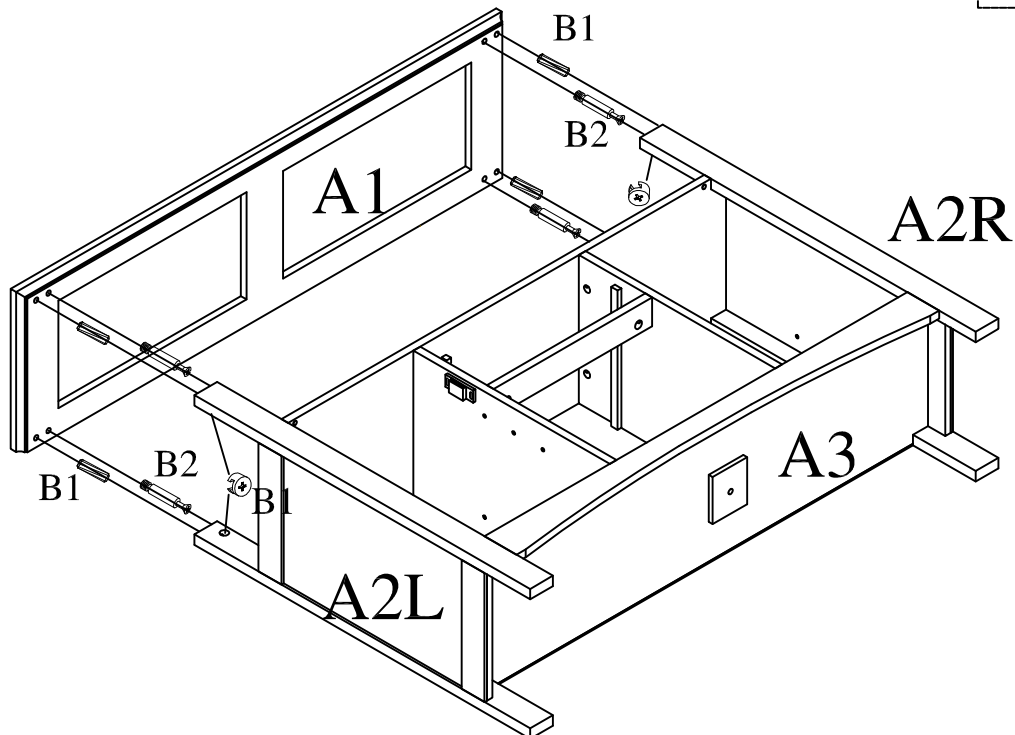
B1:		8sets
B2:		8pcs



Assemble Side Panels A2(L&R) to Shelf A5 and Bottom Panel A3 using Camlocks B1 and Wood Dowels B2.

## Step 6

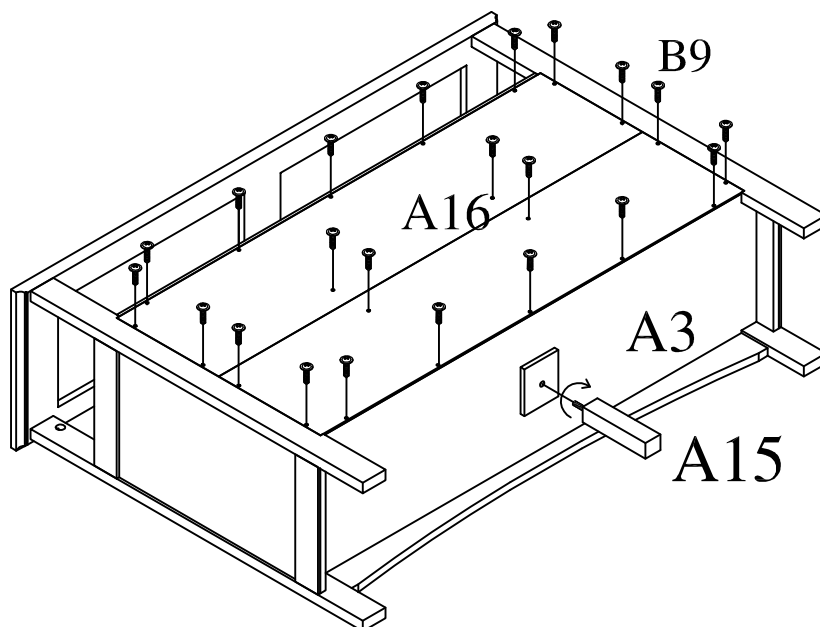
B1:		4sets
B2:		4pcs



Assemble Top Panel A1 to Side Panels A2 (L&R) using Camlocks B1 and Wood Dowel B2.

## Step 7

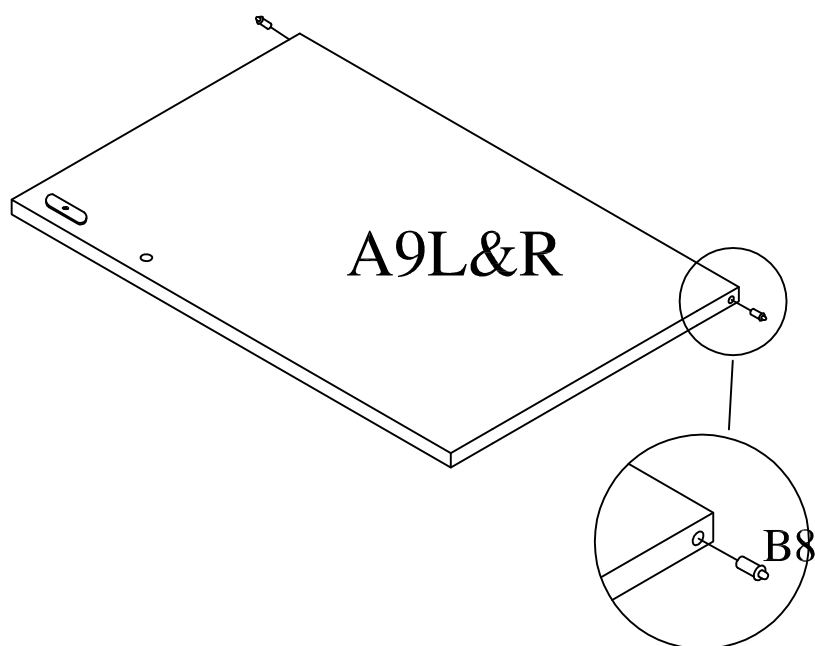
B9:  22pcs



Attach Back Panel A16 to Side Panels A2 (L&R), Shelf A5, Bottom Panel A3 and Dividers A4 (L&R) using Screws B9. Then tighten Center Feet A15 to the bottom of Bottom Panel A3.

## Step 8

B8:  4pcs

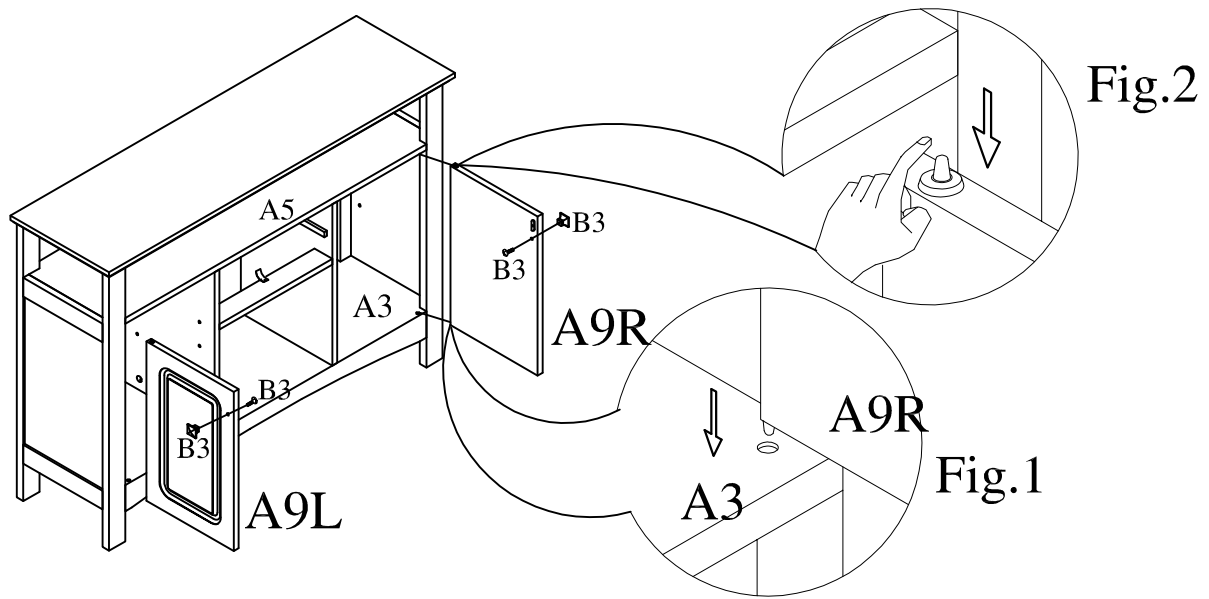


Insert Door Pins B8 into holes on Doors A9 (L&R) as drawing shown above.



## Step 9

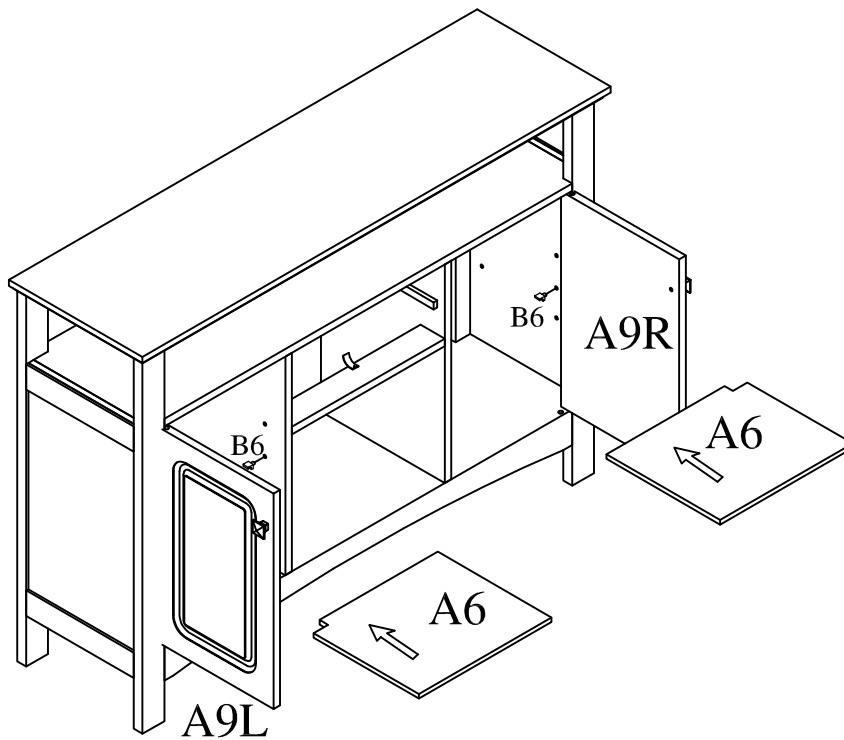
B3:  2sets



- 1): Connect Door A9R to the Bottom Panel A3 as above Fig.1.
- 2): Press the upper pin on Door A9R see Fig.2. and insert Door A9R carefully into the cabinet with the upper pin popping up into the holes of Shelf B6.
- 3): Attached Knobs B3 to Door A9R using included bolts.
- 4): Repeat above steps to assemble Left Door A9L.

## Step 10

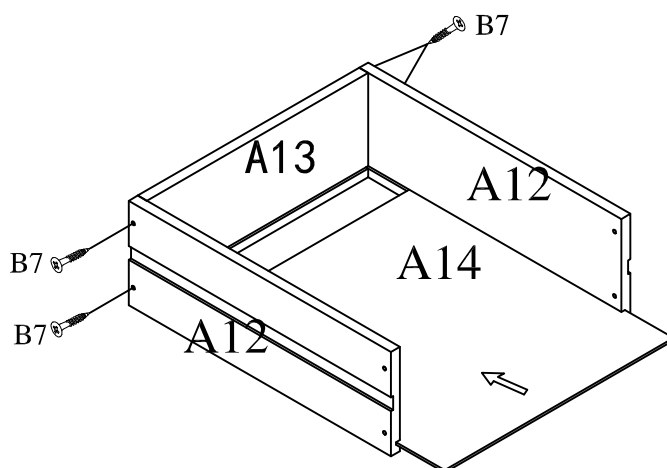
B6:  8pcs



Insert Shelf Supports B6 into holes on Side Panels A2 (L&R), Dividers A4 (L&R). Then put Shelves A6 onto Shelf Supports B6.

## Step 11

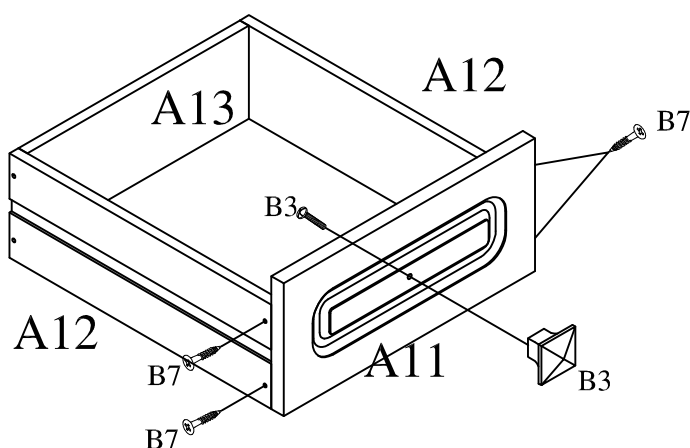
B7:  4pcs



- 1): Assembled Drawer Side Panels A12 to Drawer Back Panel A13 using Screws B7.
- 2): Insert Drawer Back Panel A13 into the grooves on Drawer Side Panels A12.

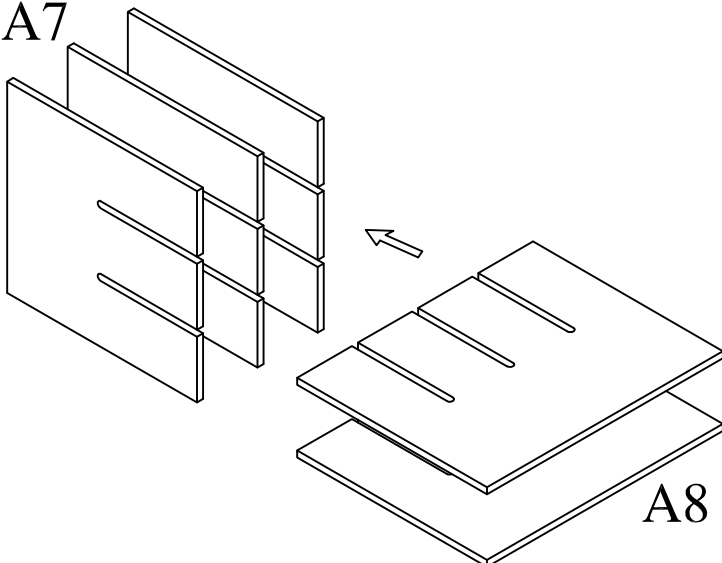
## Step 12

B3:  1sets  
B7:  4pcs



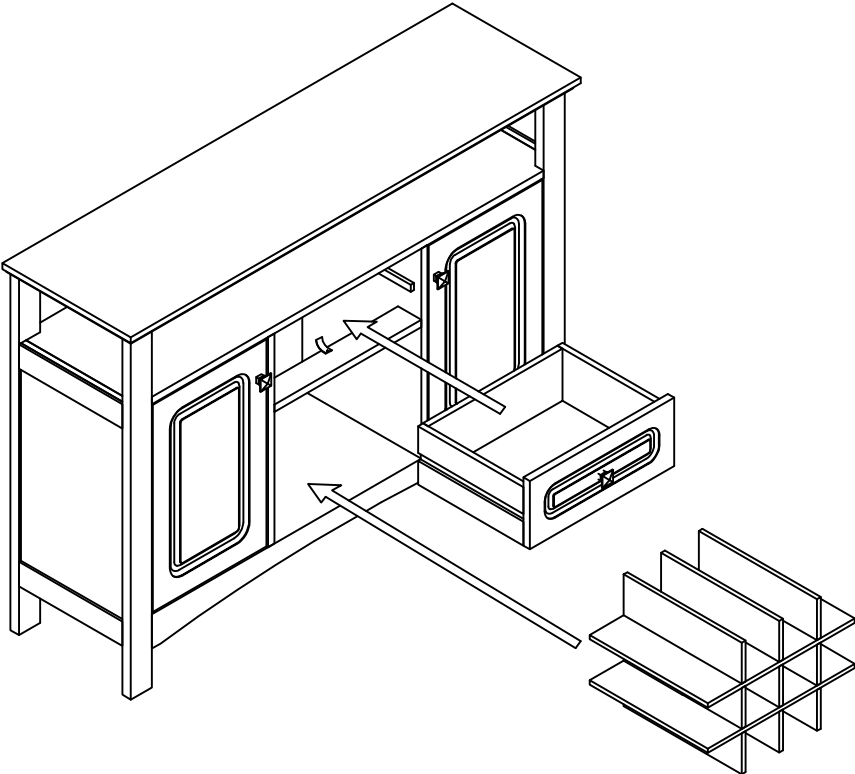
Attach Knob B3 to Drawer Front Panel A11 using included bolts, then assemble Drawer Front Panel A11 to Drawer Side Panels A12 using Screws B7.

# Step 13

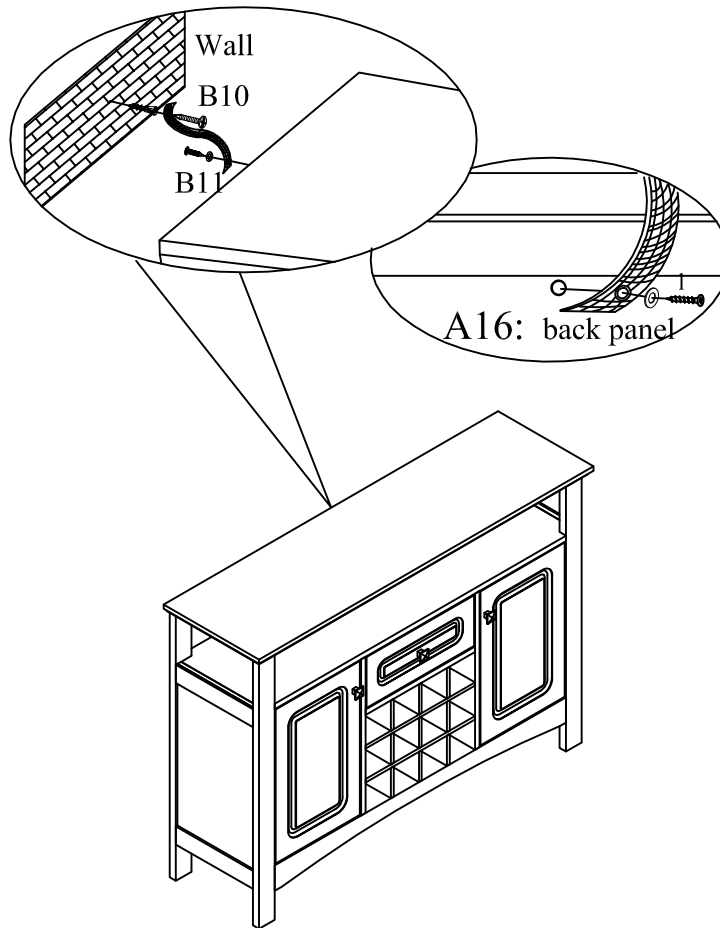


Cross the Cross Panels A8 to A7 as above drawing shown .

# Step 14



Insert Cross Panels A7 & A8 and Drawer in the center of this unit.



- B10: 1set  
B11: 1set

For your safety, please attached this unit to the wall by Anchor with screws B10 and Anti-tip kit B11.

### APPENDIX: Dimension of Hardwares in this AI.

<p>B1.</p> <p>Cam-Lock</p>	<p>B2.</p> <p>Wood Dowel</p>	<p>B3.</p> <p>Bolt for Handle</p>	<p>B5.</p> <p>Screw</p>
<p>B7.</p> <p>Screw</p>	<p>B9.</p> <p>Screw</p>	<p>B10.</p> <p>Screw</p>	<p>B11.</p> <p>Screw</p>
	<p>B4.</p> <p>Screw</p>		