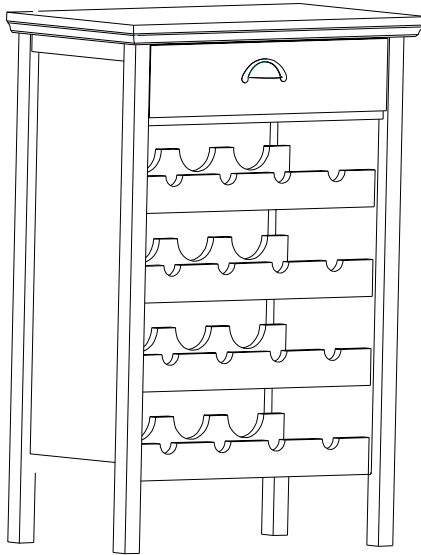


ASSEMBLY INSTRUCTIONS

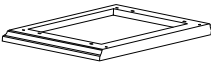
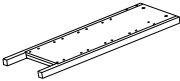
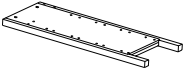
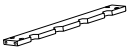







Style # WR1343 Wine Rack








NOTE TO CUSTOMERS:

- For ease and speed of assembly we recommend that before you commence each step of the assembly that you identify all the parts required to complete that step.
- We recommend that where possible you allow sufficient space to assemble the item as close as possible to the place where it will be once assembled.
- For the protection of your furniture we recommend that the product is placed on protected surfaces during assembly to prevent any damage.
- During assembly do not to over tighten, as this may damage the product.
- Please ensure you retain all the product packaging until the item completely assembled.
- Please periodically check all fittings and re-tighten as necessary.
- Never allow any liquids to remain on your furniture as absorption can cause the wood to warp or the finish to de-laminate.
- It is recommended that this item should be assembled by two adults.

Part list :

 <p>A1. Top Panel Qty: 1</p>	 <p>A2. Side Panel Qty: 1</p>
 <p>A3. Side Panel Qty: 1</p>	 <p>A4. Wine Rack Qty: 4</p>
 <p>A5. Wine Rack Qty: 4</p>	 <p>A6. Back Panel Qty: 1</p>
 <p>A7. Front Cross Bar Qty: 1</p>	 <p>A8. Drawer Front Panel Qty: 1</p>
 <p>A9. Drawer Side Panel Qty: 2</p>	 <p>A10. Drawer Bottom Panel Qty: 1</p>
 <p>A11. Drawer Back Panel Qty: 1</p>	

Hardware list :

 <p>B1. Camlock Qty: 44</p>	 <p>B2. Wood dowel Qty: 4</p>	 <p>B3. Screw Qty: 8</p>
 <p>B4. Handle with bolts Qty: 1</p>	 <p>B5. Stopper with Screw Qty: 1</p>	

Note:

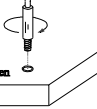
- Read these instructions carefully before assembling.
- Tools required : Phillips screwdriver, flat screwdriver.
- Find a clean, smooth area on which to work , such as a carpet, in order to avoid scratching the wood surfaces.
- Wait to dispose of the packing material until assembly is complete and all parts and hardware are accounted for.
- Two or more people might be required for assembly.

To use Dowels:

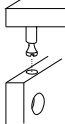
1. Add glue (about $\frac{1}{4}$ full) in the hole(s) of each board to be joined.
2. Insert the Dowel(s) and join boards.
3. Wipe excess glue with a damp paper towel.

To use Cam Locks:

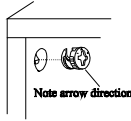
1. Insert Cam Pin until snug



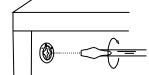
2. Set boards together



3. Insert Cam Lock



4. Turn Cam Lock clockwise (half a turn)

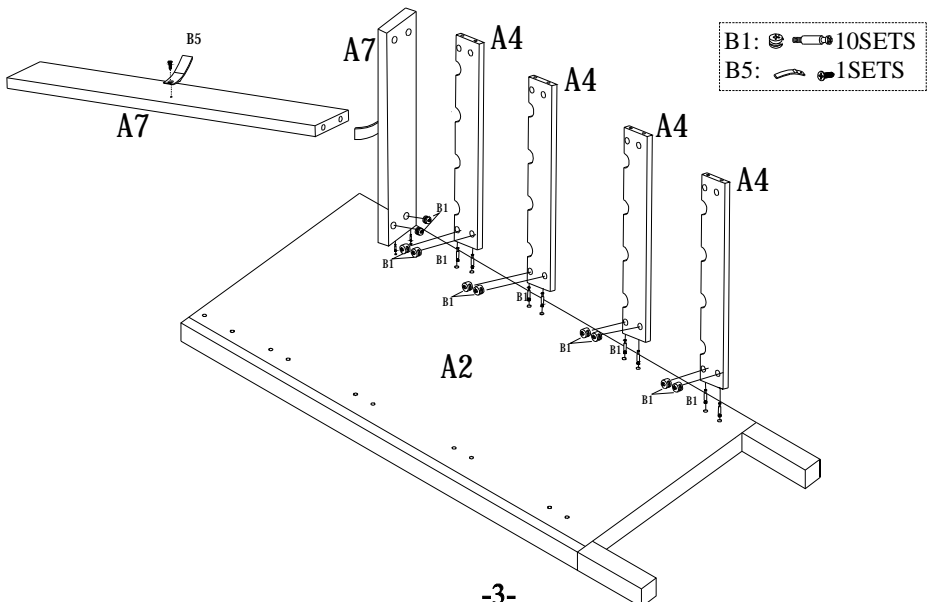


if it won't turn halfway, back out the Cam Pin $\frac{1}{4}$ turn and try Cam Lock again.

Assembly instructions

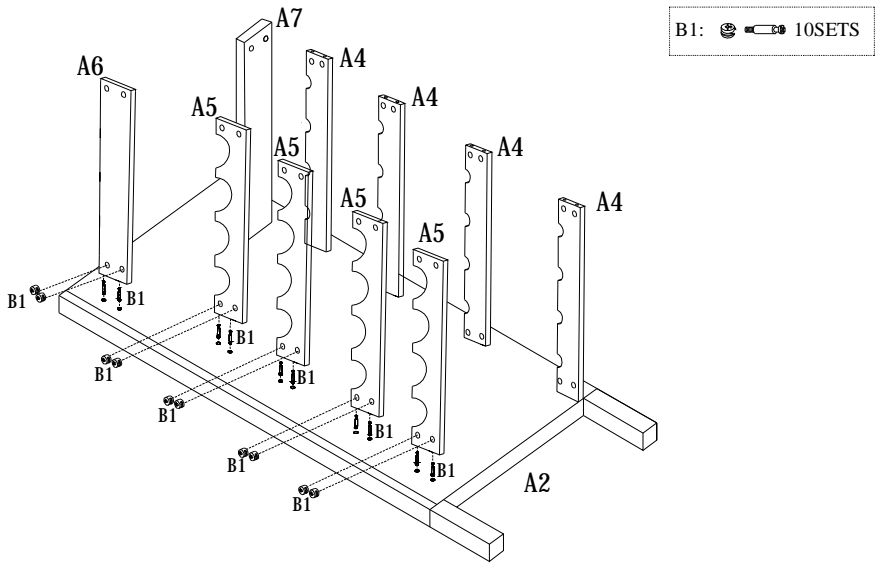
Step 1: Assemble the stopper B5 to the front cross bar A7 using included screw, then assemble the front cross bar A7 to the side panel A2 using camlocks B1 as below drawing shown.

Step 2: Assemble wine racks A4 to the side panel A2 one by one using camlocks B1 as below drawing shown.

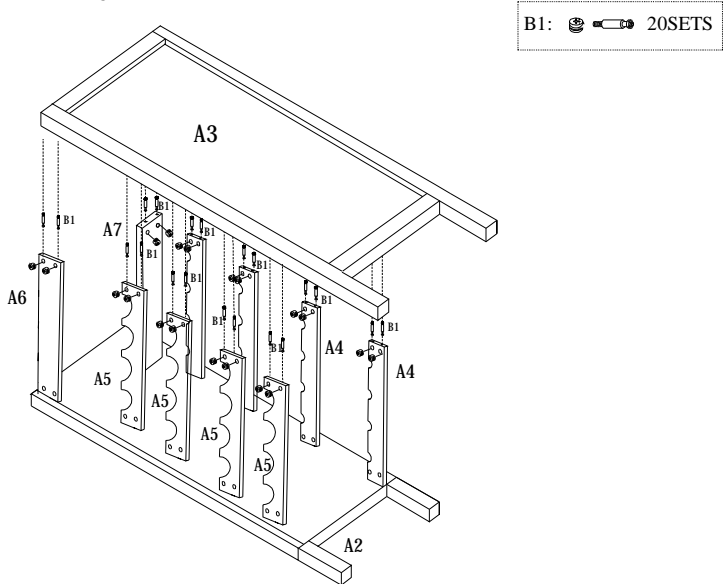


Step 3: Assemble the back panel A6 to the side panel A2 using camlock B1 as below drawing shown.

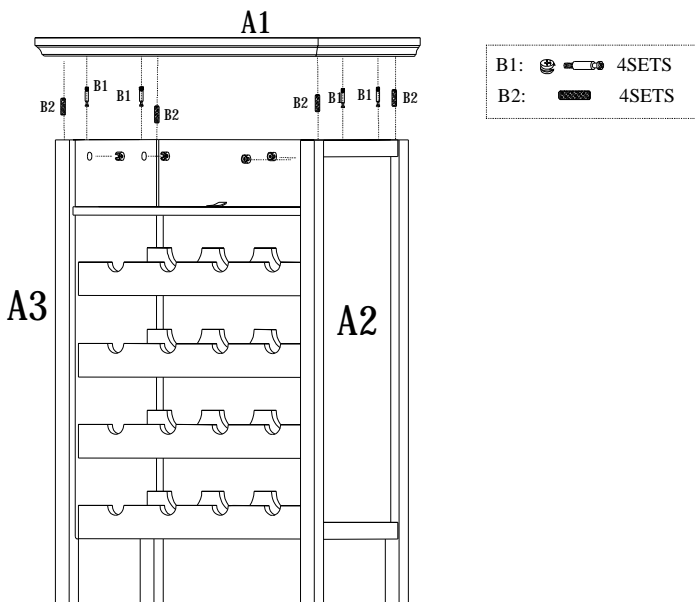
Step 4: Assembled wine racks A5 to the side panel A2 one by one using camlocks B1 as below drawing shown.



Step 5: Assemble the side panel A3 to the wine racks A4,A5 and back panel A6 and the front panel A7 using camlocks B1 as below drawing shown.

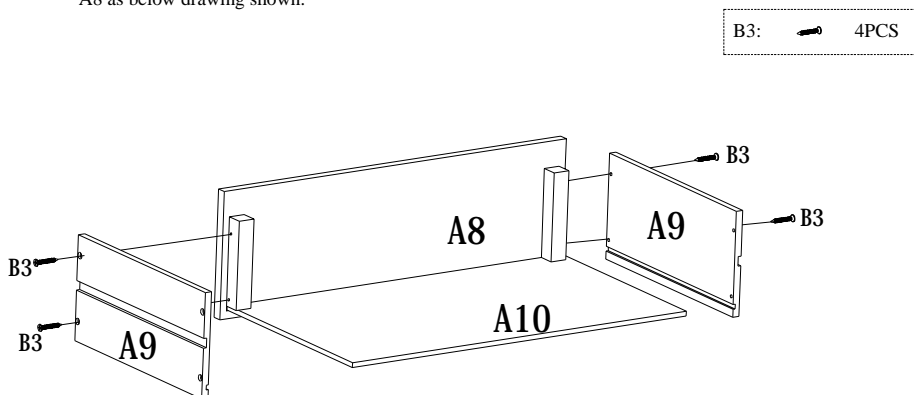


Step 6: Assemble the top panel A1 to the side panels A2,A3 using camlocks B1 and wood dowels B2 as below drawing shown .




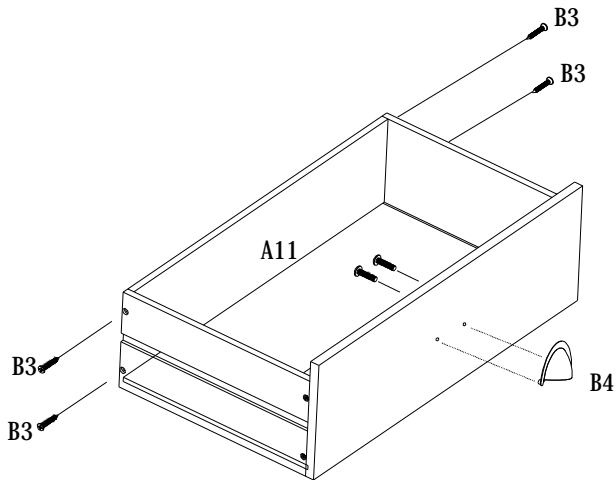
Step 7: Assemble the drawer side panels A9 to the drawer front panel A8 using screws B3.

Step 8: Insert drawer bottom panel A10 into the grooves on the drawer side panels A9 and the drawer front panel A8 as below drawing shown.



Step 9: Assemble the drawer back panel A11 to the side panels A9 using screws B3.
Step 10: Attached the drawer handle B4 to the drawer front panel A8 using included bolts.

B3:  4PCS



Step 11: Insert the drawer as following drawing shown.

