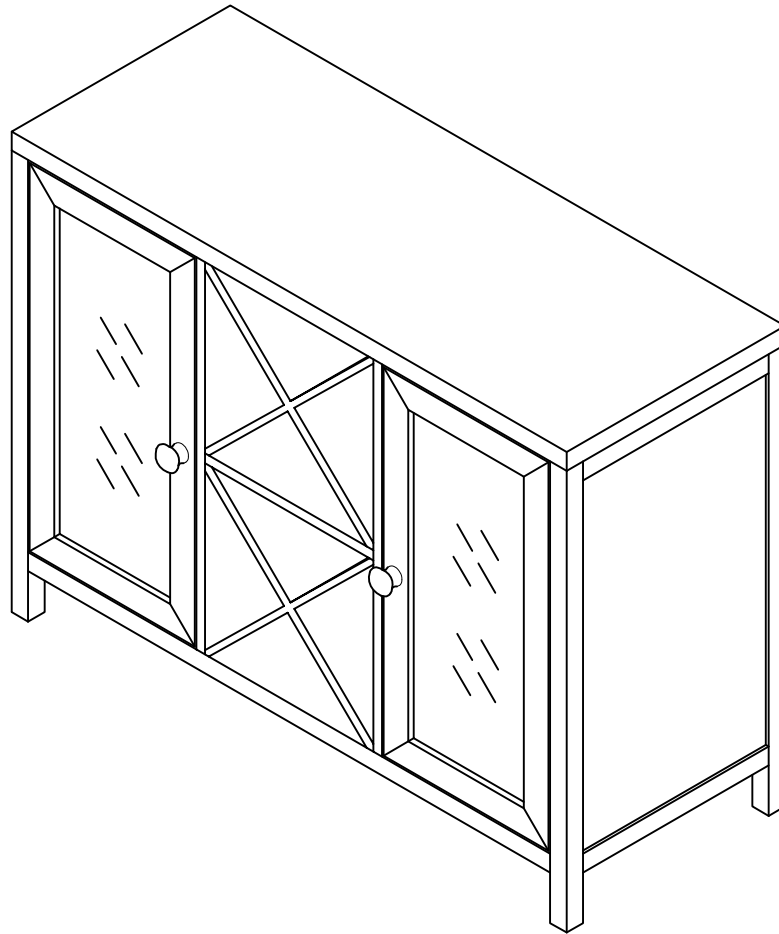


ASSEMBLY INSTRUCTIONS

Style # WR1340 Wine Rack



NOTE TO CUSTOMERS:

- For ease and speed of assembly we recommend that before you commence each step of the assembly that you identify all the parts required to complete that step.
- We recommend that where possible you allow sufficient space to assemble the item as close as possible to the place where it will be once assembled.
- For the protection of your furniture we recommend that the product is placed on protected surfaces during assembly to prevent any damage.
- During assembly do not over tighten ,as this may damage the product.
- Please ensure you retain all the product packaging until the item completely assembled.
- Please periodically check all fittings and re-tighten as necessary.
- Never allow any liquids to remain on your furniture as absorption can cause the wood to warp or the finish to de-laminate.
- It is recommended that this item should be assembled by two adults.

To insert a cam lock: (Please read below instructions before assembling)

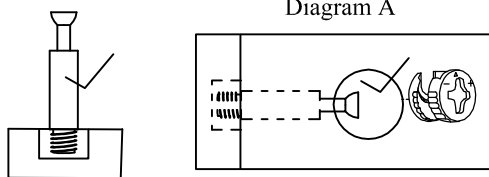


Diagram A

1. Insert cam screw into hole as shown in diagram A .

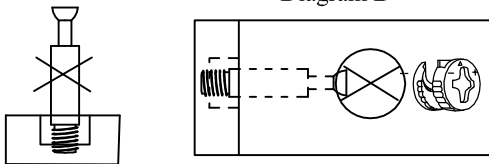


Diagram B

Make sure not to insert the cam screw:
Too deep as shown in figure B as this will cause the
cam screw to be misaligned and unable to
interlock properly.

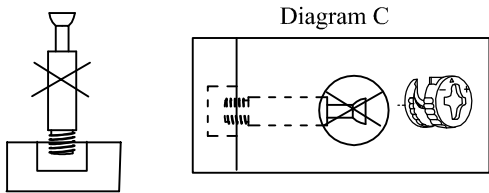
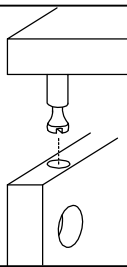
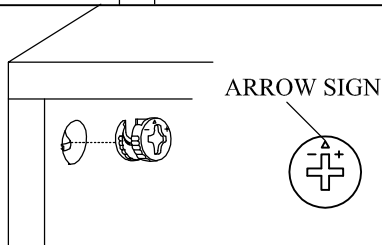


Diagram C

Also avoid inserting the cam screw too close to the
surface of the hole as shown in figure C, as this will
cause the cam lock to be too loose, and not interlock
properly.

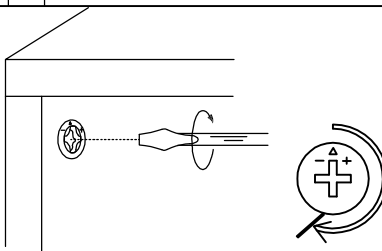


2. Connect the panels together.



ARROW SIGN

3. When inserting the cam lock make sure the arrow
of the cam lock faces the cam screw.



4. To tighten the cam lock turn the cam lock clockwise
90-180 degree or until the arrow is facing opposite
the place cam lock was inserted.

**NOTE: DO NOT USE AN AUTOMATIC
SCREWDRIVER TO TIGHTEN CAM LOCKS.**

Note:

- Read these instructions carefully before assembling.
- Tools required : Phillips screwdriver, flat screwdriver.
- Find a clean, smooth area on which to work , such as a carpet, in order to avoid scratching the wood surfaces.
- Wait to dispose of the packing material until assembly is complete and all parts and hardware are accounted for.
- Two or more people might be required for assembly.



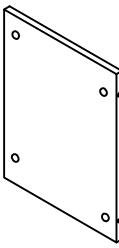
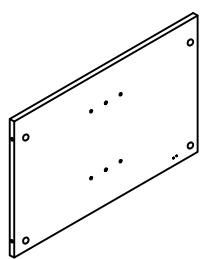
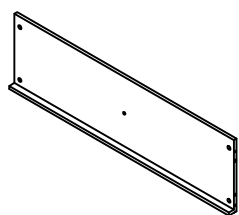
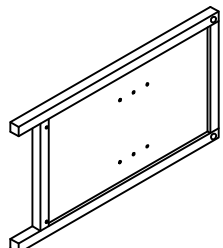
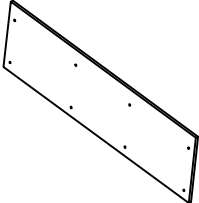
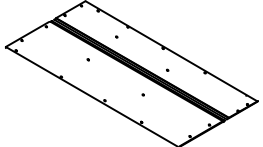
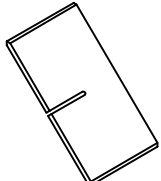

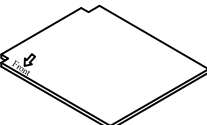
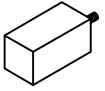
WARNING:

Serious or fatal crushing injuries can occur from furniture tip-over.
To help prevent tip-over:

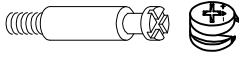


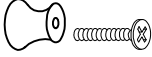
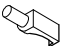


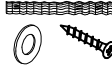

- Place heaviest items in the lowest drawers
- Unless specifically designed to accommodate, do not set televisions or other heavy objects on top of this product.
- Never allow children to climb or hang on drawer, doors, or shelves.
- Never open more than one drawer at a time. (OR)
- Do not defeat or remove the drawer interlock system.

Use of tip-over restraints may only reduce, but not eliminate the risk of tip-over

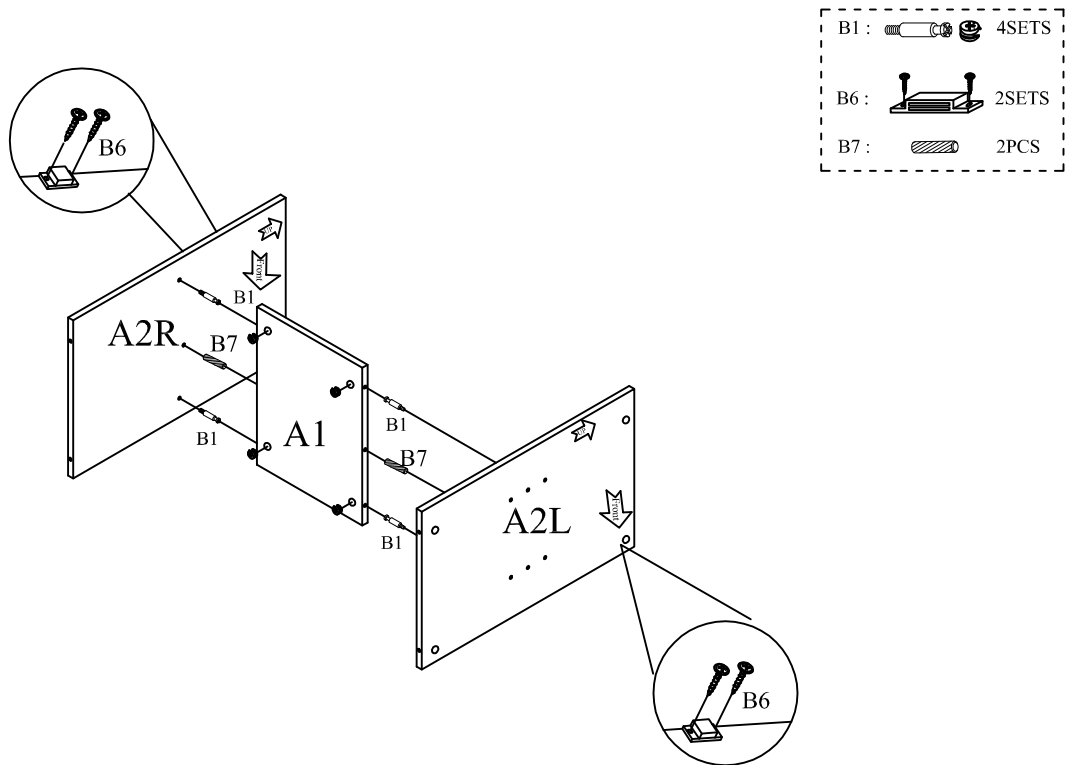
Part List

A1. Quantity of 1 	A2 (L&R). Quantity of 2 	A3. Quantity of 1 	A4 (L&R). Quantity of 2 
Center Shelf	Divider	Bottom Panel	Side Panel
A5. Quantity of 1 	A6. Quantity of 1 	A7. Quantity of 4 	A8 (L&R). Quantity of 2 
Top Panel	Back Panel	Cross Panel	Door
A9. Quantity of 2 	A10. Quantity of 1 		
Removable Shelf	Support Leg		

Hardware List

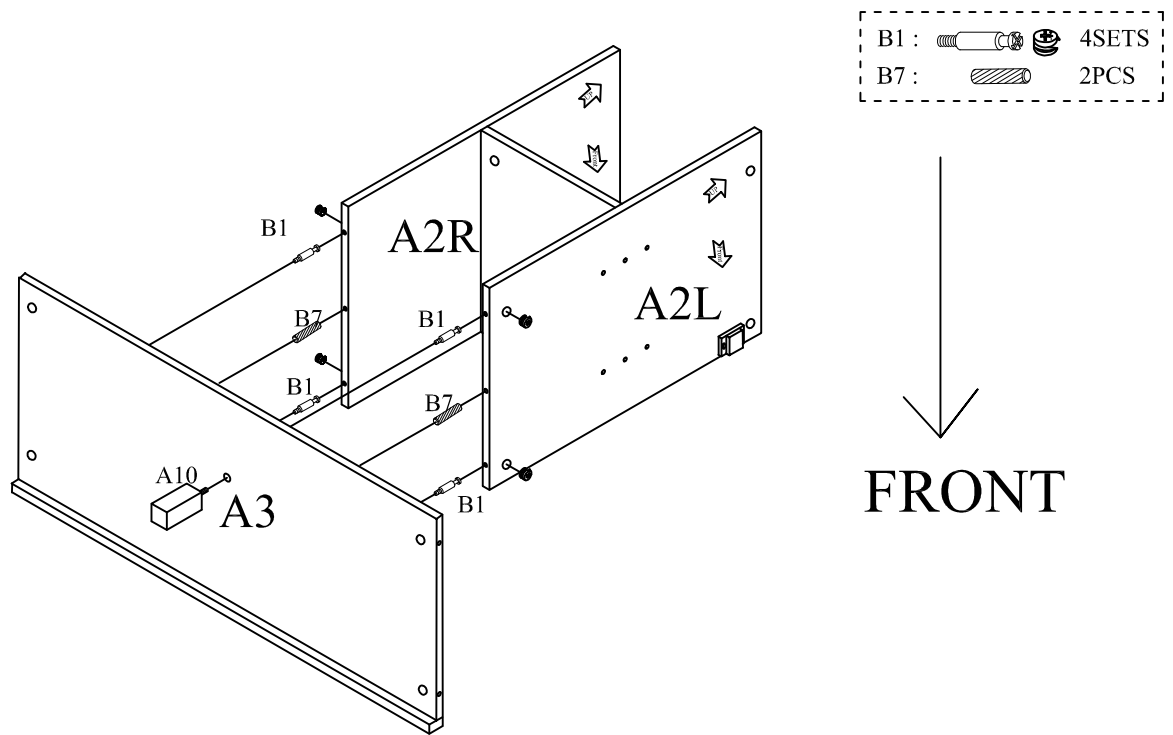
B1 Quantity of 20  Camlock	B2 Quantity of 22  Screw	B3 Quantity of 8  Screw	B4 Quantity of 2  Knob with Bolt
B5 Quantity of 8  Shelf Support	B6 Quantity of 2  Magnet with Screw	B7 Quantity of 10  Wood Dowel	B8. Quantity of 1  Anti-tip Kit
B9. Quantity of 1  Anchor with Screw			

STEP-1



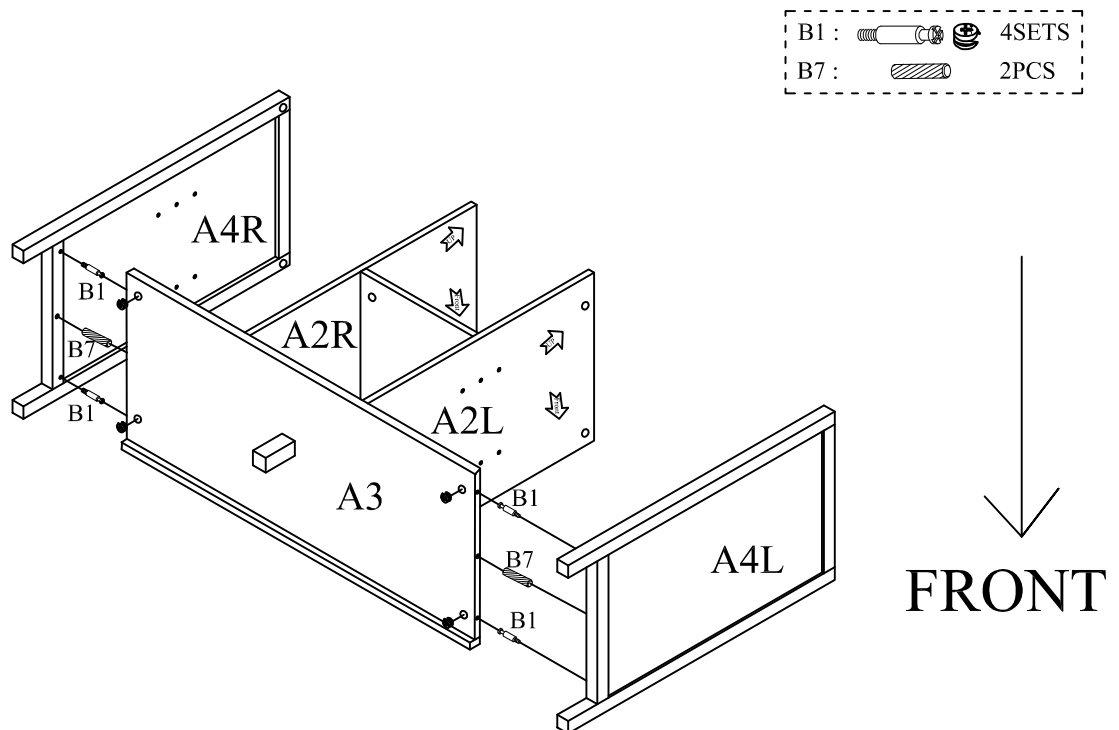
- 1). Assemble Magnets B6 to Divider Panels A2(R&L) using included screws.
- 2). Assemble Divider Panels A2(R&L) to Center Shelf A1 using Camlocks B1 and Wood Dowels B7.

STEP-2



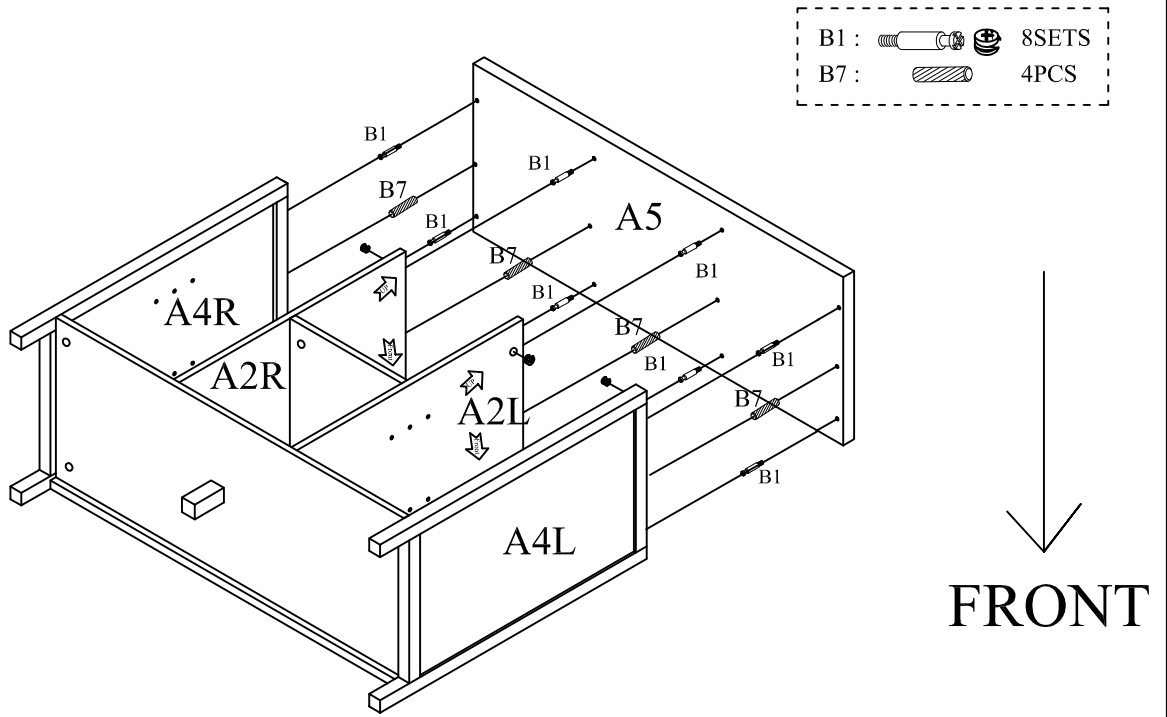
- 1). Assemble Bottom Panel A3 to Divider Panels A2(R&L) using Camlocks B1 and Wood Dowels B7.
- 2). Screw Support Leg A10 to the bottom of Bottom Panel A3 as shown above. Please do not keep-turning leg A10.

STEP-3



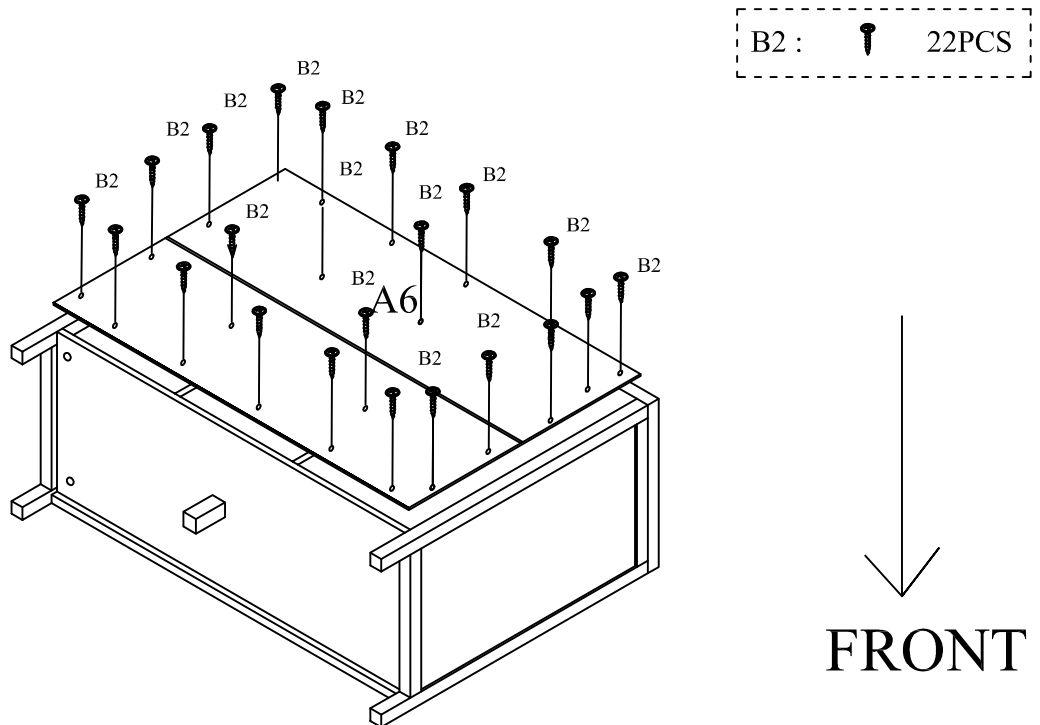
Assemble Side Panels A4(L&R) to Bottom Panel A3 using Camlocks B1 and Wood Dowels B7.

STEP-4



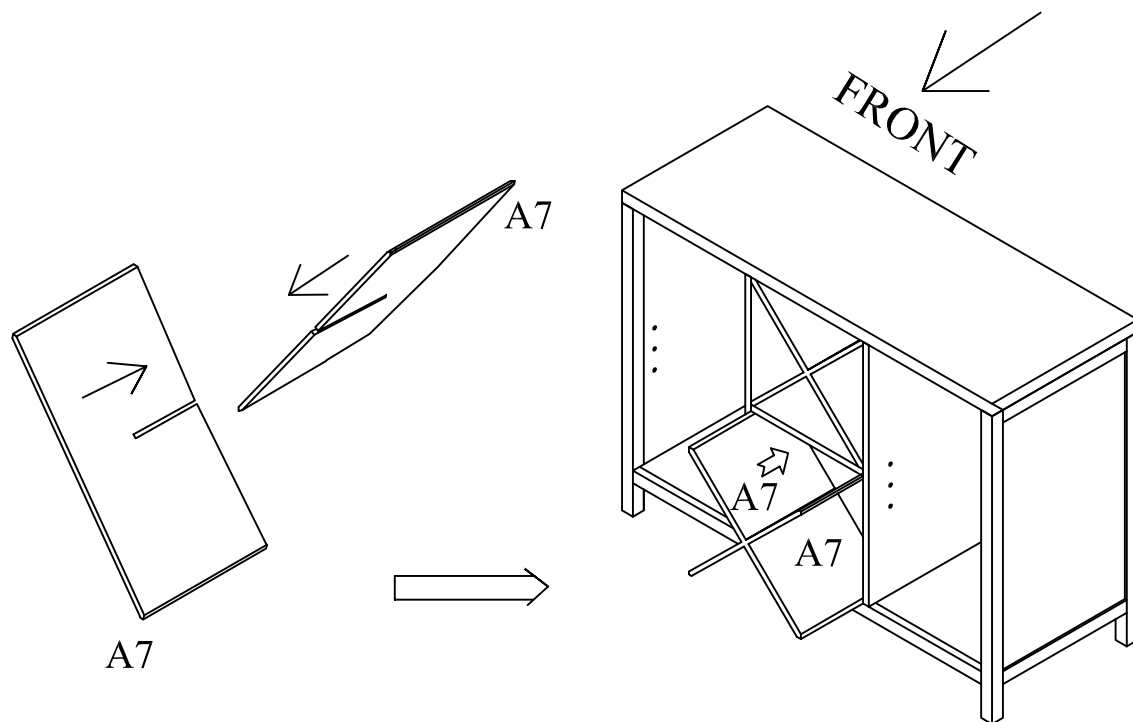
Assemble Top Panel A5 to Side Panels A4(R&L) and Divider Panels A2(R&L) using Camlocks B1 and Wood Dowels B7.

STEP-5



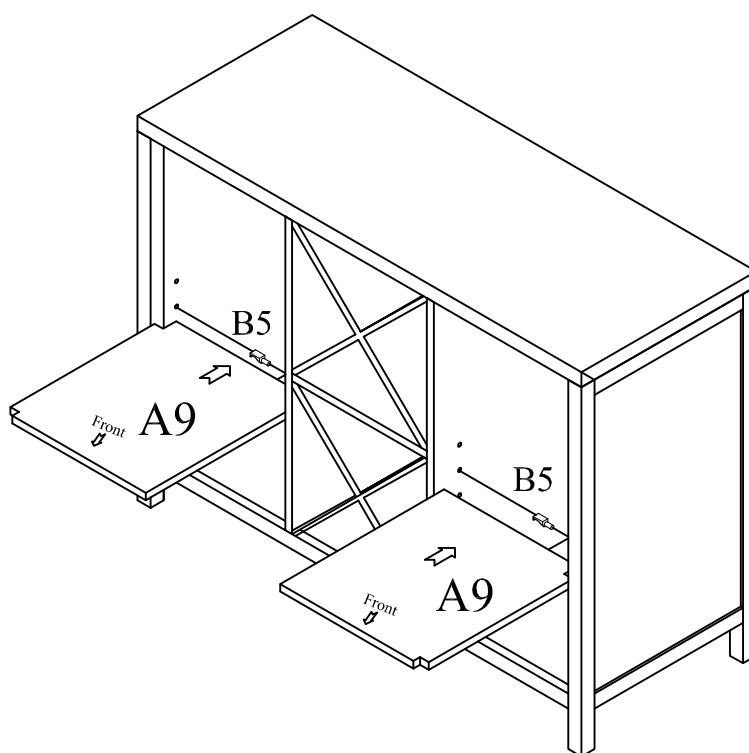
Assemble Back Panel A6 to Bottom Panel A3 & Side panels A4(R&L) & Top panel A5 & Dividers A2(R&L) using Screws B2.

STEP-6



Cross A7 Panels and then put them into the center of this wine rack.



STEP-7

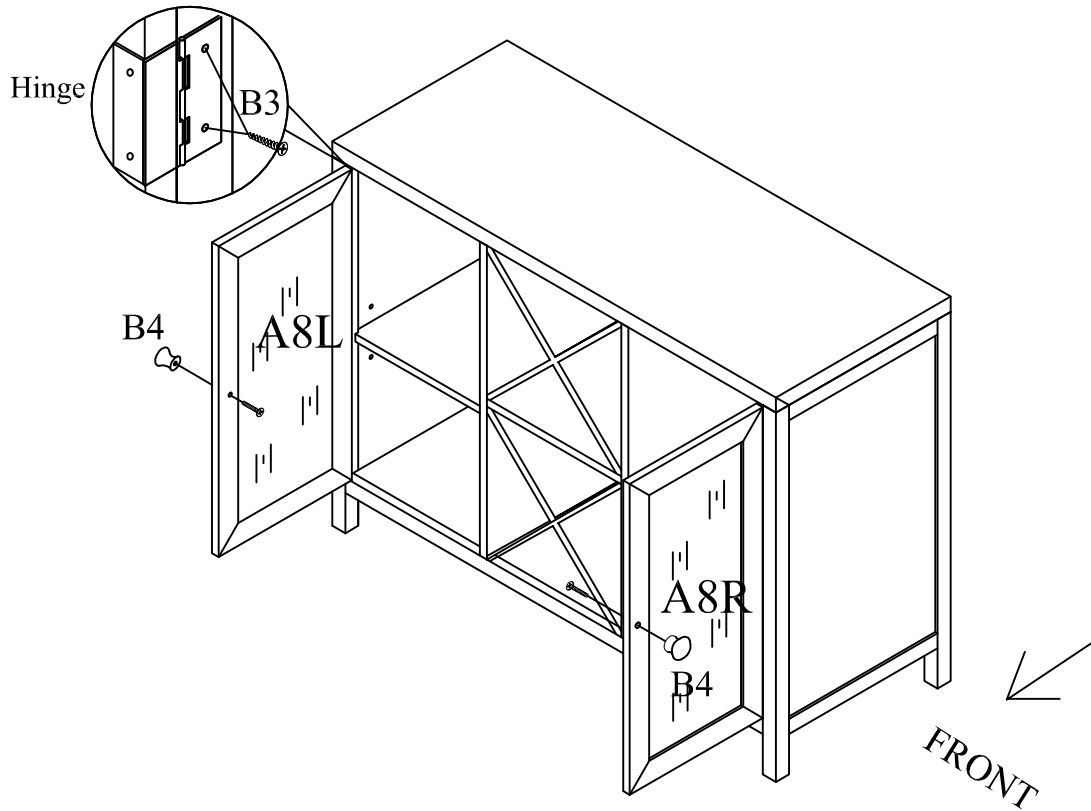


B5 :  8PCS

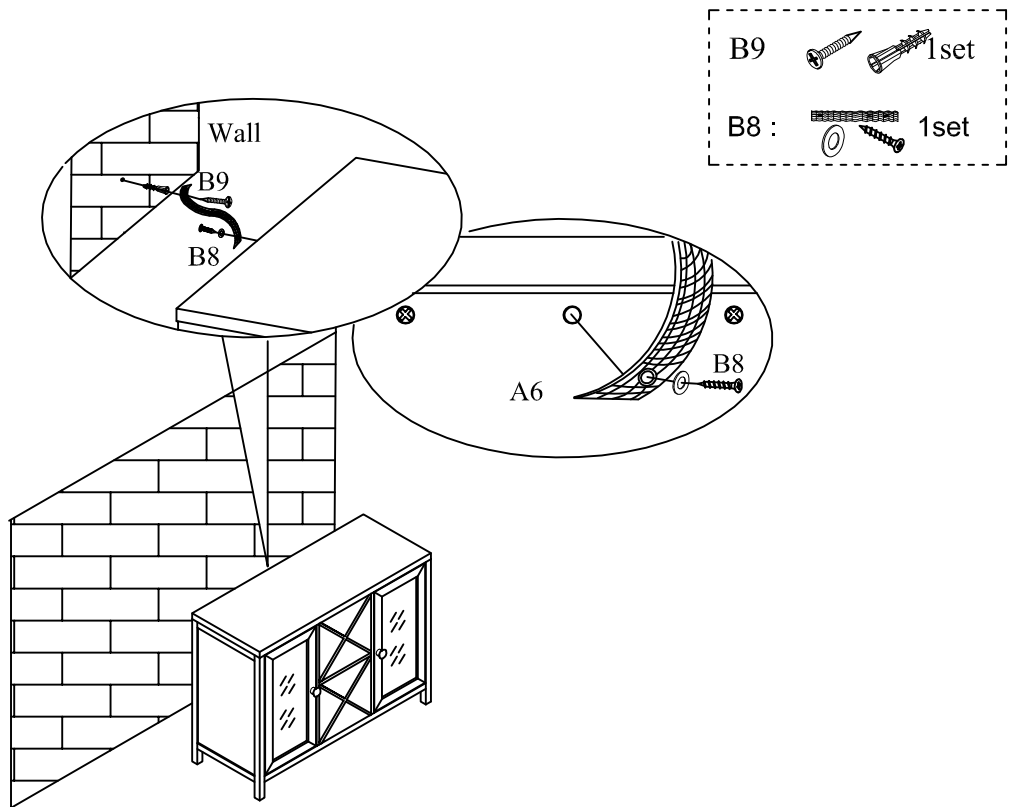
Insert Shelf Support B5 into the holes of Side Panels A4(R&L) and Divide Panels A2 (R&L), then put Removable Shelves A9 onto Shelf Support B5.

STEP-8

B3 :		8PCS
B4 :		2SETS

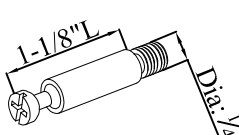
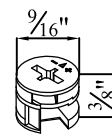
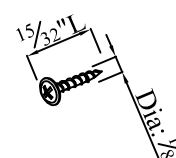
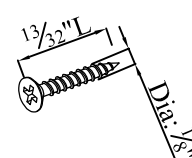
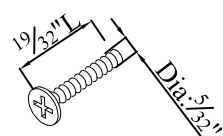
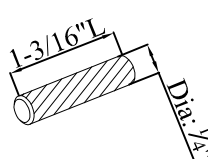
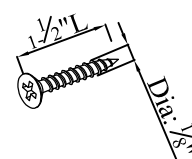
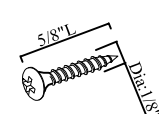


- 1). Assemble Doors A8(L&R) with hinges to Side Panels A4(L&R) using Screws B3.
- 2). Attach Knobs B4 onto doors A8(L&R) with including bolts.



For your safety, please attach this unit to the wall by the plastic anchors with screw B8 and Anti-tip Kit B9.

APPENDIX: Dimension of Hardwares in this AI.

<p>B1.</p>  <p>Cam-bolt</p>	 <p>Cam-nut</p>	<p>B2. & B6</p>  <p>Screw</p>	<p>B3.</p>  <p>Screw</p>
<p>B4.</p>  <p>Bolt for Knob</p>	<p>B7.</p>  <p>Wood Dowel</p>	<p>B9.</p>  <p>Screw</p>	<p>B8.</p>  <p>Screw</p>