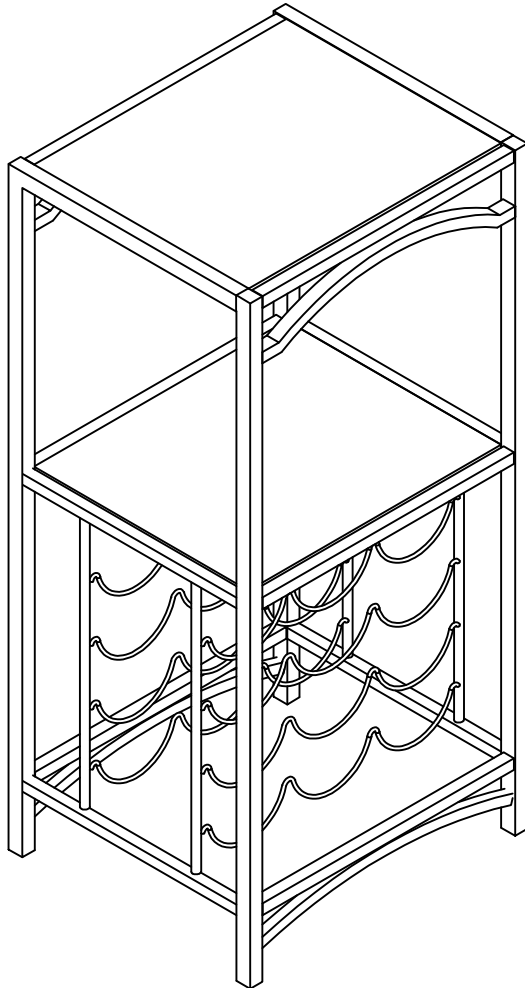


ASSEMBLY INSTRUCTIONS

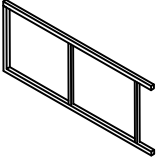
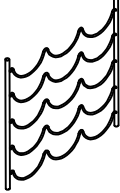




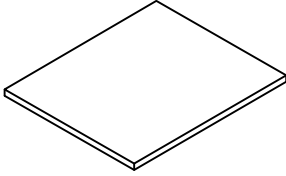
Style # WR1261 Wine Rack



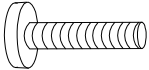
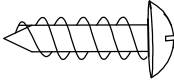

NOTE TO CUSTOMERS:

- For ease and speed of assembly we recommend that before you commence each step of the assembly that you identify all the parts required to complete that step.
- We recommend that where possible you allow sufficient space to assemble the item as close as possible to the place where it will be once assembled.
- For the protection of your furniture we recommend that the product is placed on protected surfaces during assembly to prevent any damage.
- During assembly do not over tighten, as this may damage the product.
- Please ensure you retain all the product packaging until the item completely assembled.
- Please periodically check all fittings and re-tighten as necessary.
- Please never allow any liquids to remain on your furniture as absorption can cause the wood to warp or finish to de-laminate.
- It is recommended that this item should be assembled by two adults.

Parts List

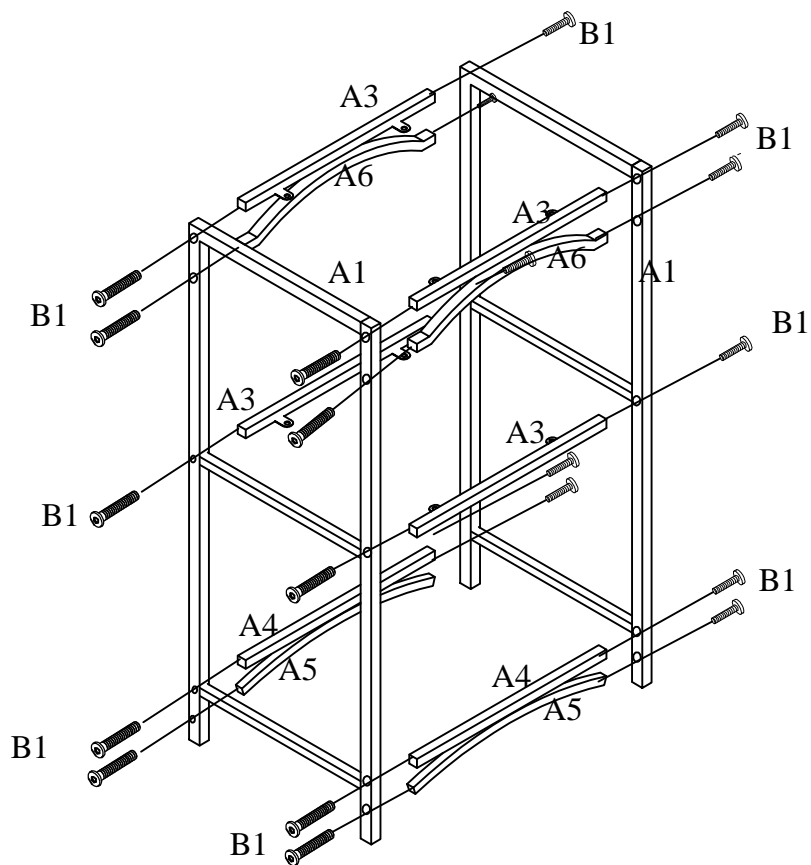
<p>A1. Quantity of 2</p>  <p>Side Frame</p>	<p>A2. Quantity of 2</p>  <p>Bottle Rack</p>	<p>A3. Quantity of 4</p>  <p>Connect Bar</p>	<p>A4. Quantity of 4</p>  <p>Connect Bar</p>
<p>A5. Quantity of 2</p>  <p>Connect Bar</p>	<p>A6. Quantity of 2</p>  <p>Connect Bar</p>	<p>A7. Quantity of 2</p>  <p>Wood Panel</p>	

Hardware List

<p>B1. Quantity of 24</p>  <p>Bolt $\text{Ø}\frac{1}{4}$" x 1"</p>	<p>B2. Quantity of 8</p>  <p>Screw $\text{Ø}4.5$ x $\frac{1}{2}$"</p>	 <p>Allen Wrench</p>
--	--	---

STEP 1

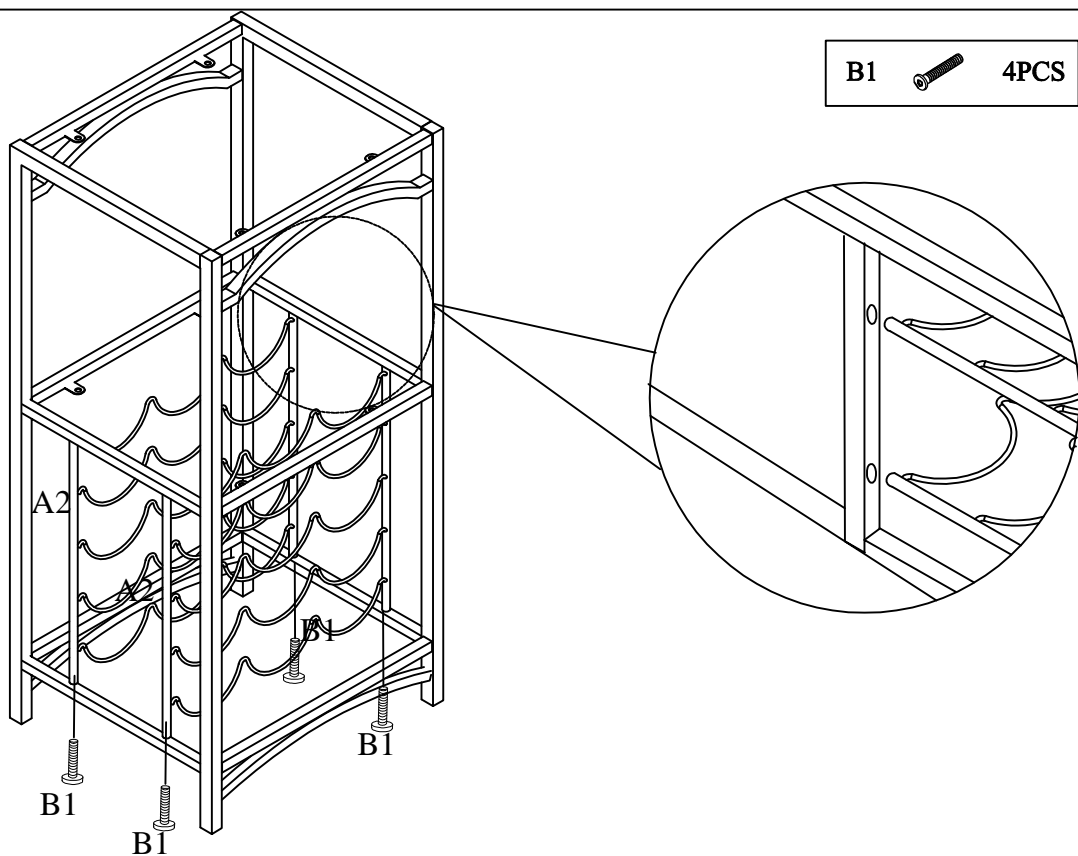
B1  20PCS



Attach Connect Bars (A3)&(A4) &(A5)&(A6) to Side Frames (A1) using Bolts (B1) as shown above.
NOTE: Please do not tighten Bolts B1 until step 3.

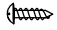
STEP 2

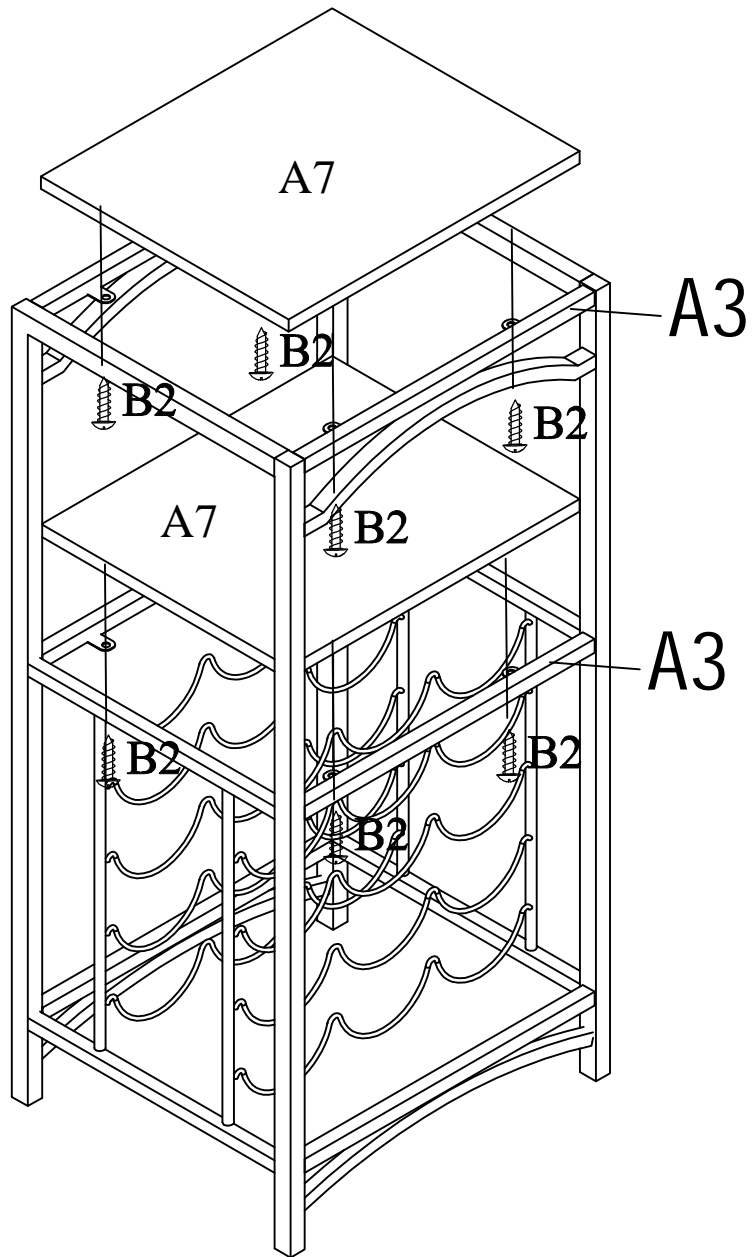
B1  4PCS



- 1). Insert Bottle Racks (A2) into the holes on Side Frames (A1).
 - 2). Assemble Bottle Racks (A2) to Side Frames (A1) using Bolts (B1).
- NOTE: Please do not tighten Bolts (B1) until step 3.

STEP 3

B2  8PCS



Attach Wood Panels (A7) to Side Frames (A1) and Connect Bar (A3). Then tighten all (B1) bolts and fasten with screws (B2).