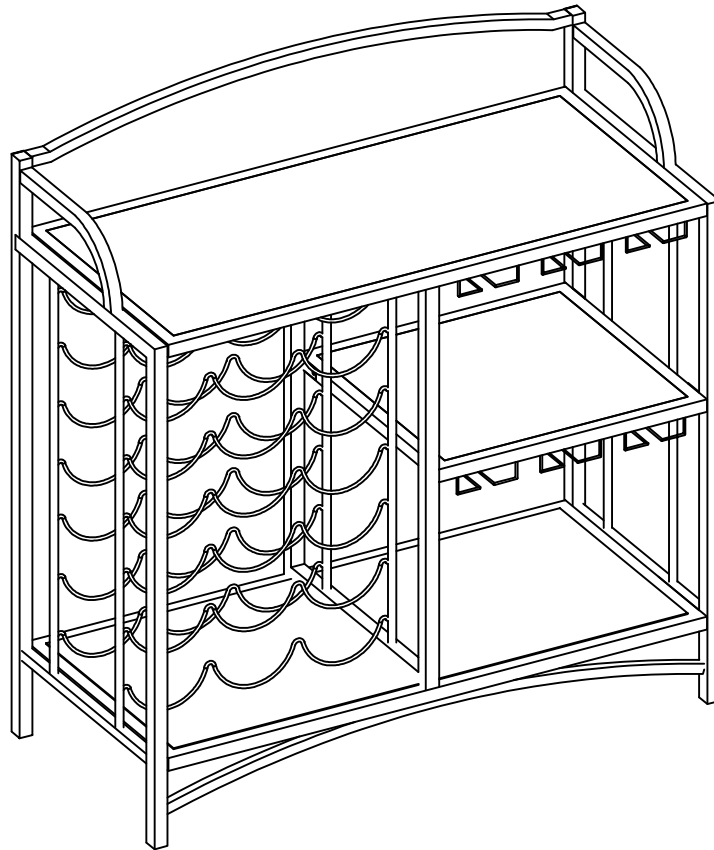


ASSEMBLY INSTRUCTIONS

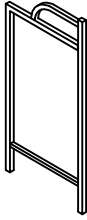

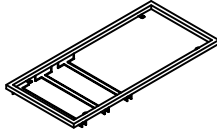
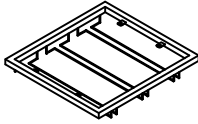
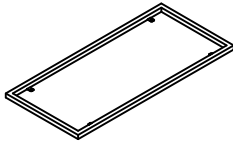
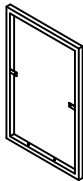
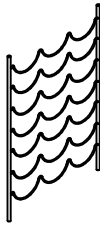
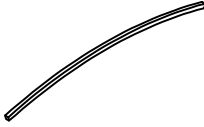

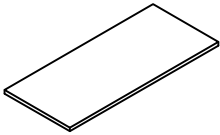
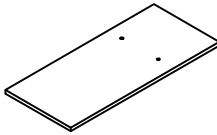
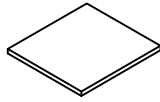
Style # WR1260 Wine Rack



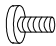
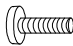
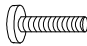
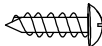

NOTE TO CUSTOMERS:

- For ease and speed of assembly we recommend that before you commence each step of the assembly that you identify all the parts required to complete that step.
- We recommend that where possible you allow sufficient space to assemble the item as close as possible to the place where it will be once assembled.
- For the protection of your furniture we recommend that the product is placed on protected surfaces during assembly to prevent any damage.
- During assembly do not over tighten ,as this may damage the product.
- Please ensure you retain all the product packaging until the item completely assembled.
- Please periodically check all fittings and re-tighten as necessary.
- Never allow any liquids to remain on your furniture as absorption can cause the wood to warp or the finish to de-laminate.
- It is recommended that this item should be assembled by two adults.

Parts List

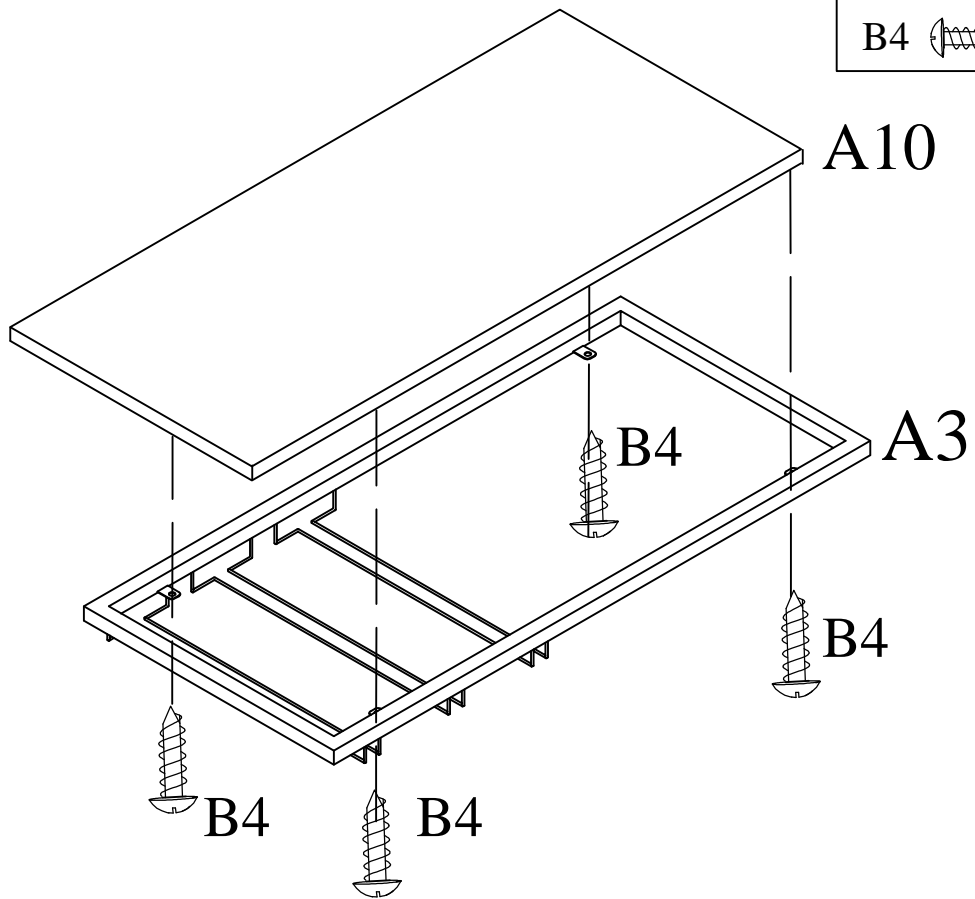
<p>A1. Quantity of 1</p>  <p>Left Side Frame</p>	<p>A2. Quantity of 1</p>  <p>Right Side Frame</p>	<p>A3. Quantity of 1</p>  <p>Top Frame</p>	<p>A4. Quantity of 1</p>  <p>Shelf Frame</p>
<p>A5. Quantity of 1</p>  <p>Bottom Frame</p>	<p>A6. Quantity of 1</p>  <p>Divider Frame</p>	<p>A7. Quantity of 2</p>  <p>Bottle Rack</p>	<p>A8. Quantity of 1</p>  <p>Bottom Bar</p>
<p>A9. Quantity of 1</p>  <p>Top Bar</p>	<p>A10. Quantity of 1</p>  <p>Top Panel</p>	<p>A11. Quantity of 2</p>  <p>Bottom Panel</p>	<p>A12. Quantity of 1</p>  <p>Shelf Panel</p>

Hardware List

<p>B1 Quantity of 4</p>  <p>Bolt Dia: $\frac{1}{4}$" X $\frac{1}{2}$"L</p>	<p>B2 Quantity of 15</p>  <p>Bolt Dia: $\frac{1}{4}$" X 1"L</p>	<p>B3 Quantity of 2</p>  <p>Bolt Dia: $\frac{1}{4}$" x $1\frac{5}{8}$"L</p>	<p>B4 Quantity of 12</p>  <p>Screw Dia: $\frac{3}{16}$" x $\frac{1}{2}$"L</p>
 <p>Allen Wrench</p>			

STEP 1

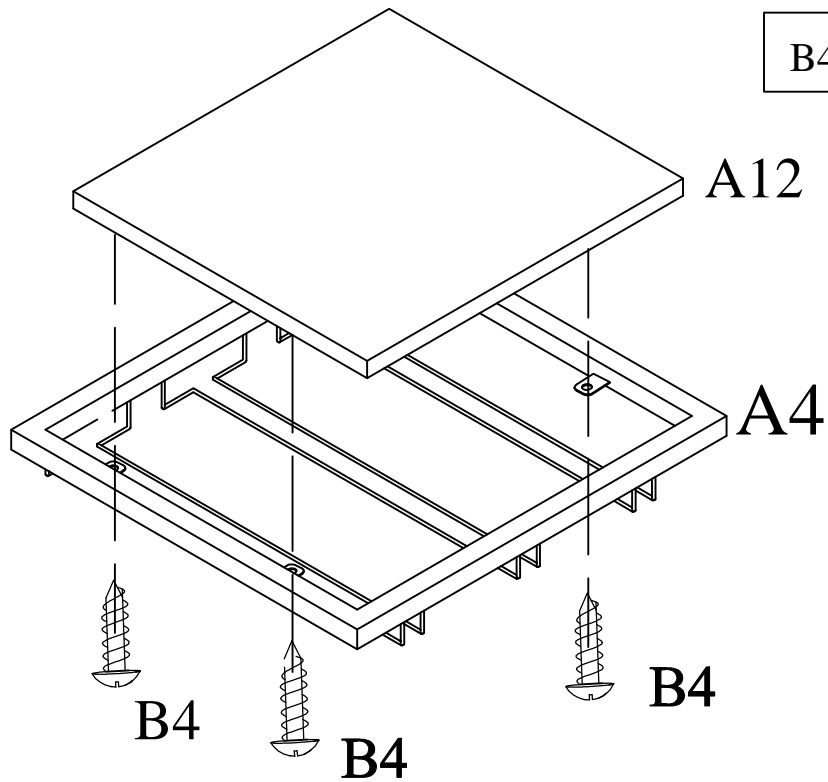
B4  4PCS



Assemble Top panel A10 to Top Frame A3 using Screws (B4).

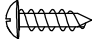
STEP 2

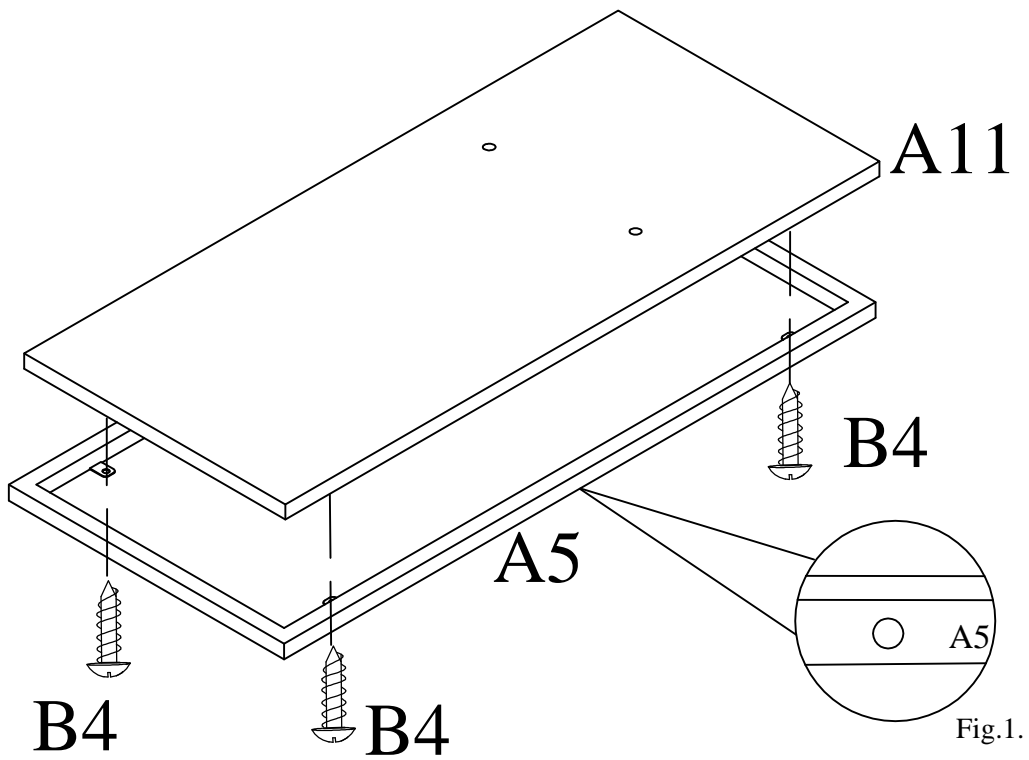
B4  4PCS



Assemble Shelf panel A12 to Shelf Frame A4 using Screws (B4).


STEP 3

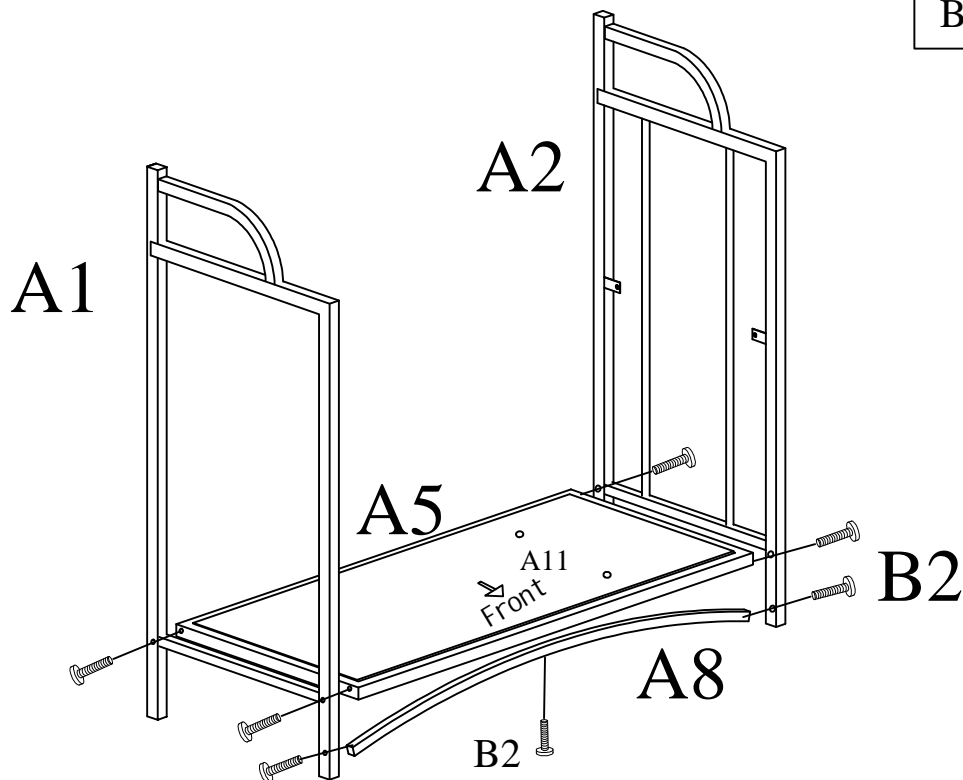
B4  4PCS



Assemble Bottom Panel (A11) to Bottom Frame (A5) using Screws (B4).
Please make sure the side which with hole as fig.1. facing the floor.

STEP 4

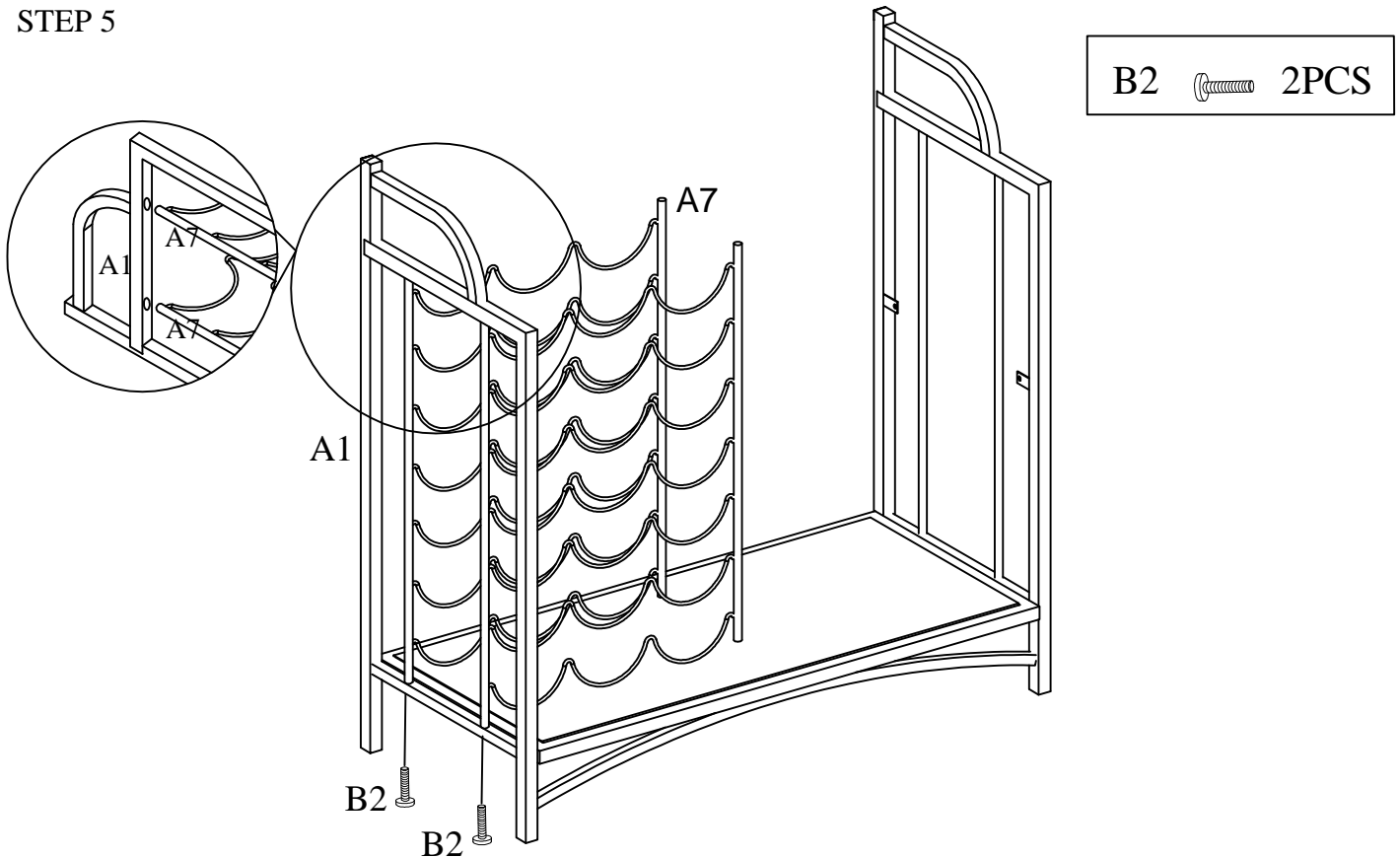
B2  7PCS



Assemble Bottom Frame (A5) to Side Frames (A1&A2) using Bolts (B2). Then assemble Bottom Bar A8 to Side Frames(A1&A2) and Bottom Frame (A5) using Bolts(B2).

NOTE: Please do not tighten Bolts (B2) until step 9.

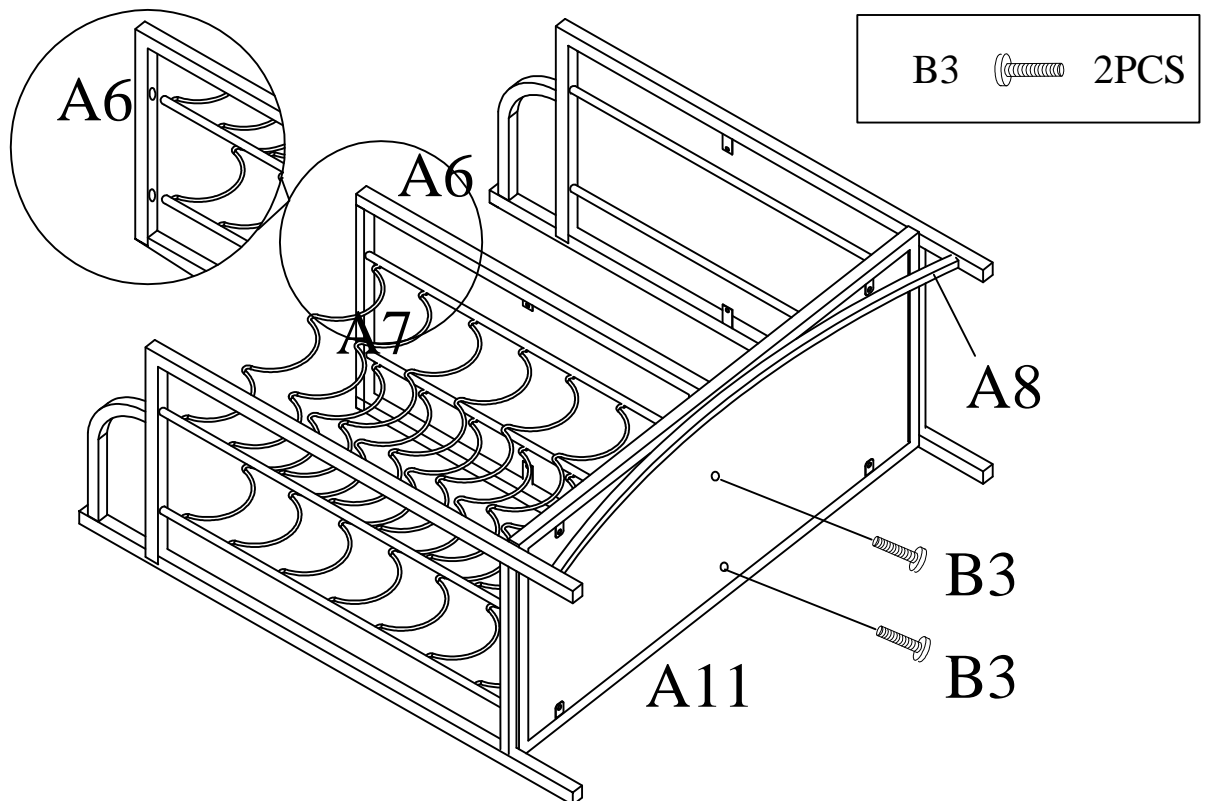
STEP 5



Insert Bottle Racks (A7) into holes on top of Left Side Frame (A1), Then assemble Bottle Racks (A7) to the bottom of Left Side Frame (A1) using Bolts (B2).

NOTE: Please do not tighten Bolts (B2) until step 9.

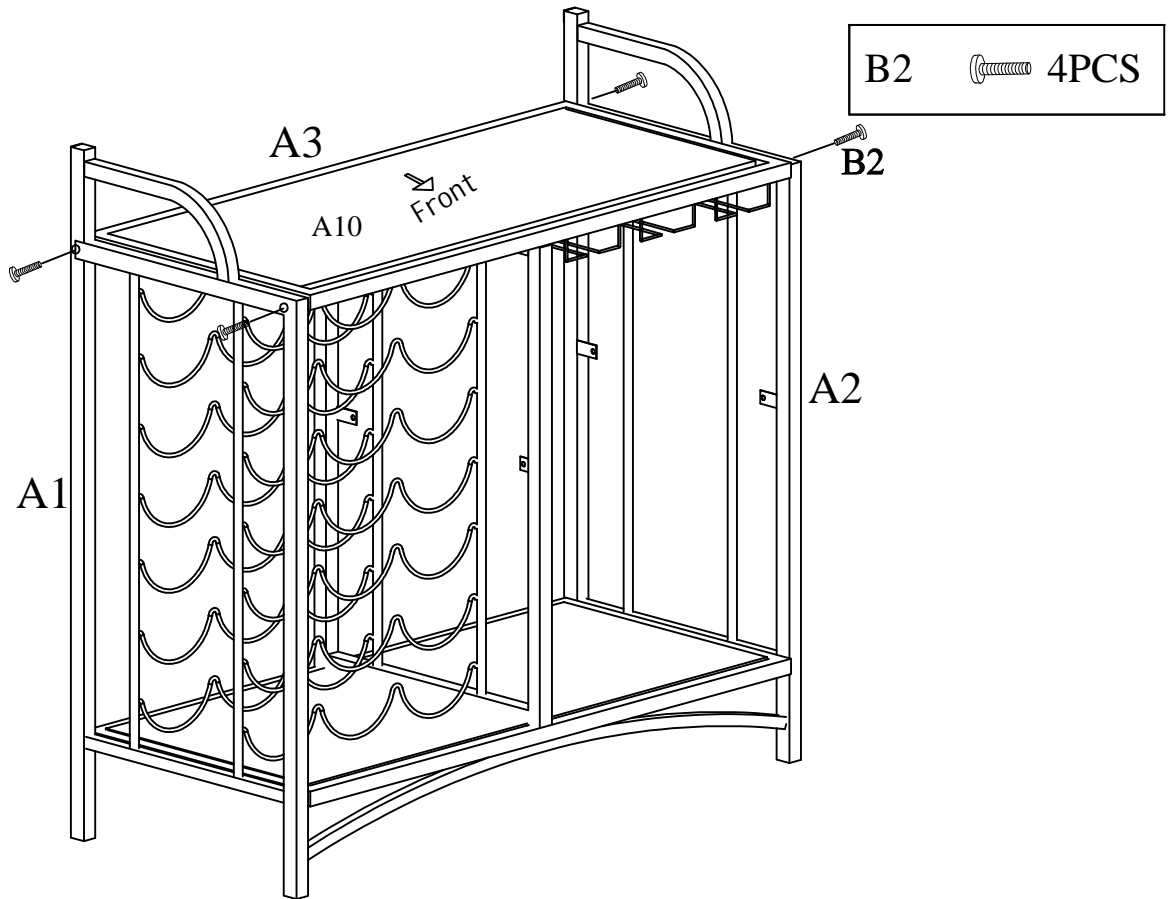
STEP 6



Insert Bottle Racks (A7) into holes on the top of Divider Frame (A6) .Then Attach Bottle Racks (A7) and Divider Frame (A6) to Bottom Panel (A11) using Bolts (B3).

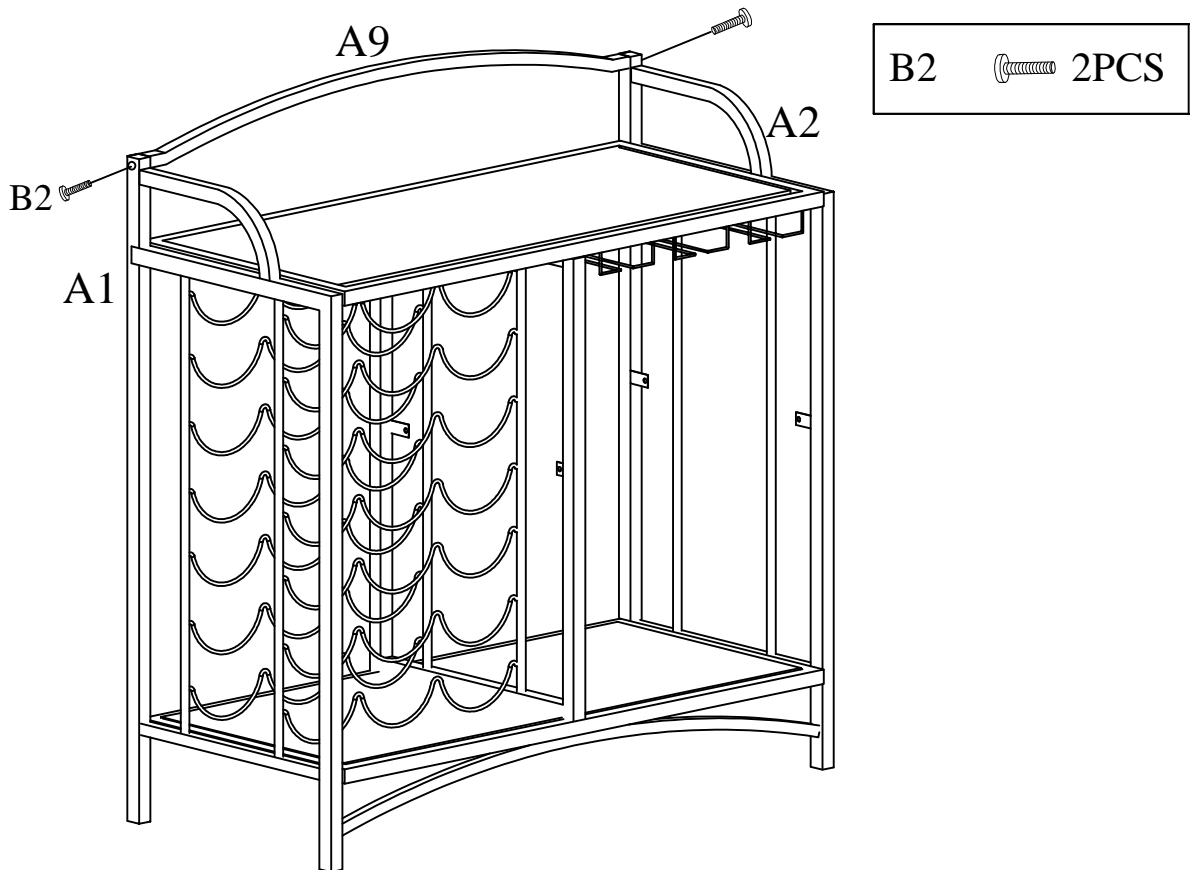
NOTE: Please do not tighten Bolts (B3) until step 9.

STEP 7

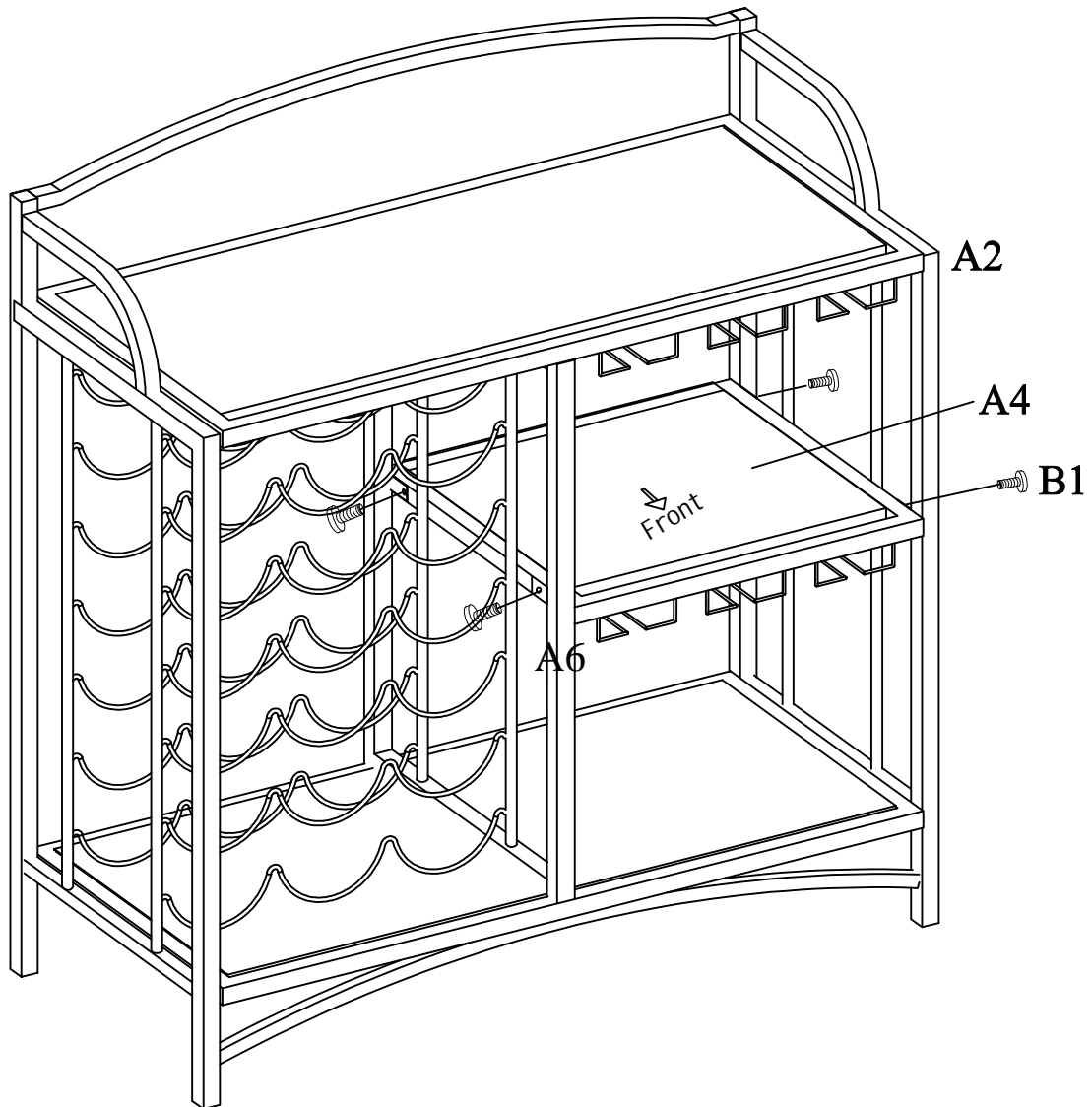


Assemble Top Frame (A3) to Side Frames (A1&A2) using Bolts (B2),do not tighten bolts B2 until Step 9.

STEP 8



Assemble Top Bar (A9) to Side Frames (A1&A2) using Bolts (B2),do not tighten bolts B2 until Step 9.



Assemble Shelf Frame A4 to Right Side Frame A2 and Divider A6 using Bolts (B1). Then tighten all bolts at this point.