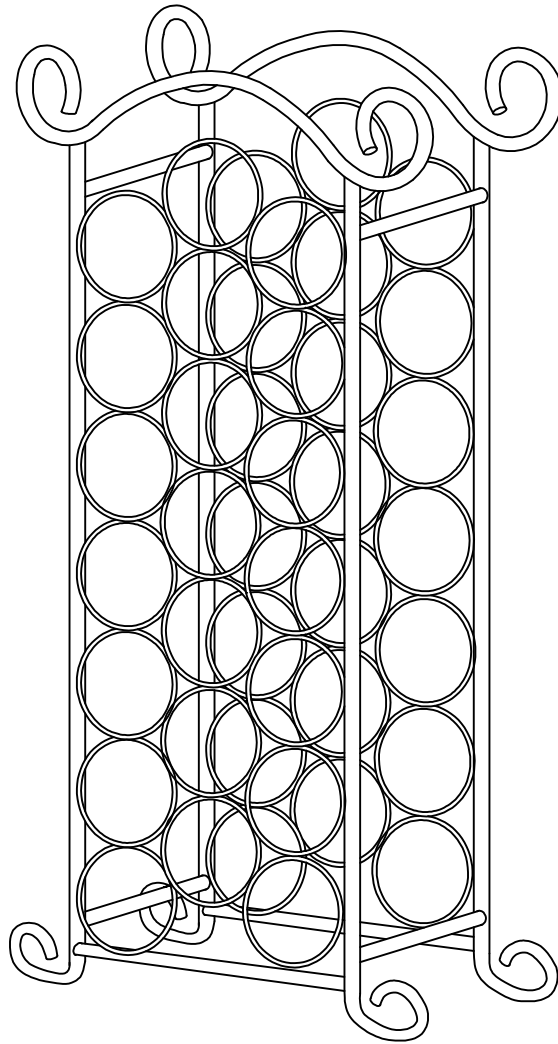


# ASSEMBLY INSTRUCTIONS

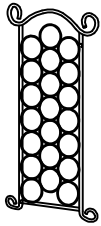
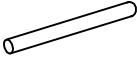
## Style # WR1254 Wine Rack





### NOTE TO CUSTOMERS:

- For ease and speed of assembly we recommend that before you commence each step of the assembly that you identify all the parts required to complete that step.
- We recommend that where possible you allow sufficient space to assemble the item as close as possible to the place where it will be once assembled.
- For the protection of your furniture we recommend that the product is placed on protected surfaces during assembly to prevent any damage.
- During assembly do not over tighten, as this may damage the product.
- Please ensure you retain all the product packaging until the item completely assembled.
- Please periodically check all fittings and re-tighten as necessary.
- Please never allow any liquids to remain on your furniture as absorption can cause the wood to warp or finish to de-laminate.
- It is recommended that this item should be assembled by two adults.

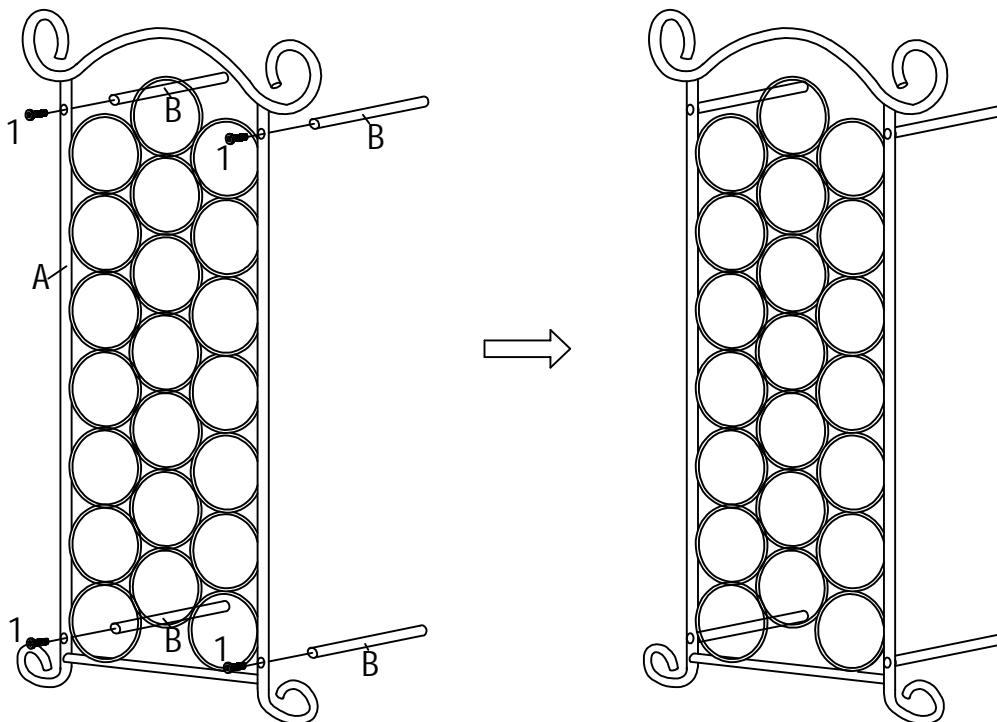
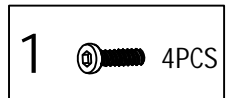
# Part List

(A)	Quantity of 2	(B)	Quantity of 4
			
Side Frame		Connecting Bar	

# Hardware List


(1)	Quantity of 8	(2)	Quantity of 1
			
Bolt		Allen key	

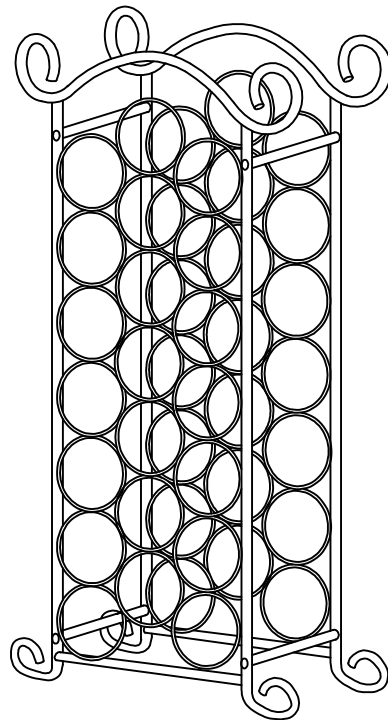
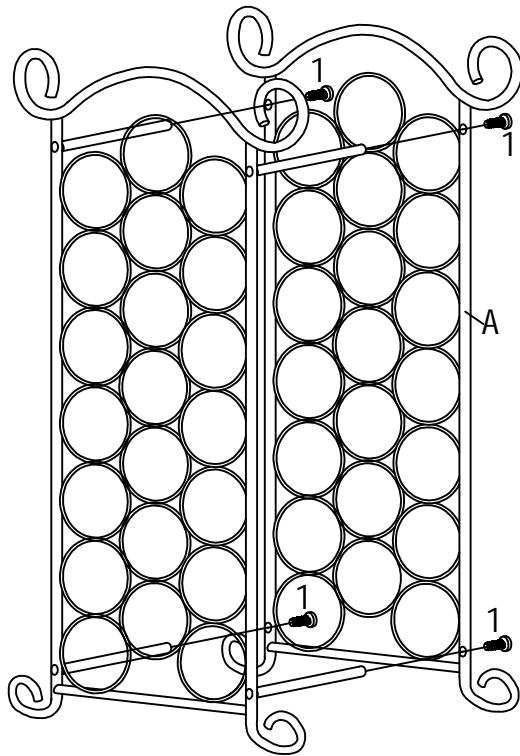
Step 1:



Assemble Connecting Bars(B) to Side Frame (A) using Bolts (1). Do not tighten bolts until step 2.

Step 2:

1  4PCS



Assemble the other side of the Frame (A) to the connecting Bars(B) using Bolts (1). Place the wine rack on the floor to check if it is stable before tighten the bolts.