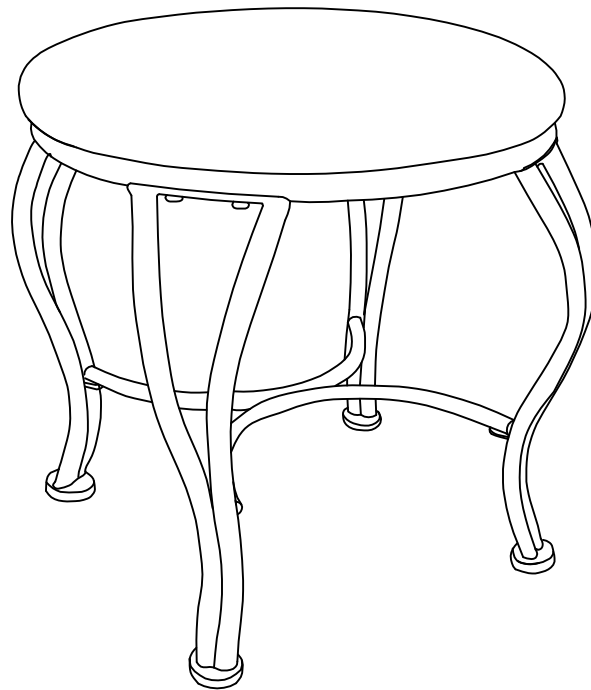


Assembly Instructions

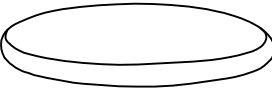

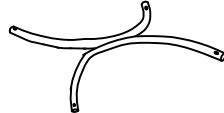
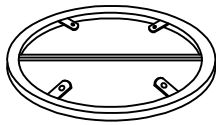
Style# V1032 Vanity Stool



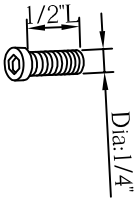
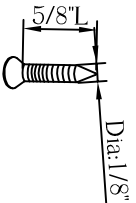

NOTE TO CUSTOMERS:

- For ease and speed of assembly we recommend that before you commence each step of the assembly that you identify all the parts required to complete that step.
- We recommend that where possible you allow sufficient space to assemble the item as close as possible to the place where it will be once assembled.
- For the protection of your furniture we recommend that the product is placed on protected surfaces during assembly to prevent any damage.
- During assembly do not to over tighten, as this may damage the product.
- Please ensure you retain all the product packaging until the item completely assembled.
- Please periodically check all fittings and re-tighten as necessary.
- Never allow any liquids to remain on your furniture as absorption can cause the wood to warp or finish to de-laminate.
- It is recommended that this item should be assembled by two adults.

Part List

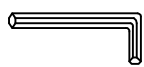
| | | | |
|--|--|--|--|
| <p>A1 1PC</p>  <p>Seat Cushion</p> | <p>A2 4PCS</p>  <p>Leg</p> | <p>A3 1PC</p>  <p>Connect Frame</p> | <p>A4 1PC</p>  <p>Seat Frame</p> |
|--|--|--|--|

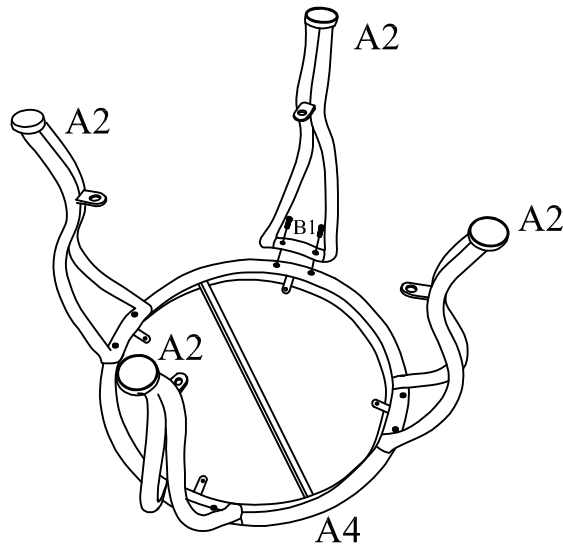
Hardware List

| | | |
|--|--|--|
| <p>B1 12PCS</p>  <p>Bolt</p> | <p>B2 4PCS</p>  <p>Screw</p> | <p>B3 1PC</p>  <p>Allen Wrench</p> |
|--|--|--|

STEP 1

B1  8PCS


B3 

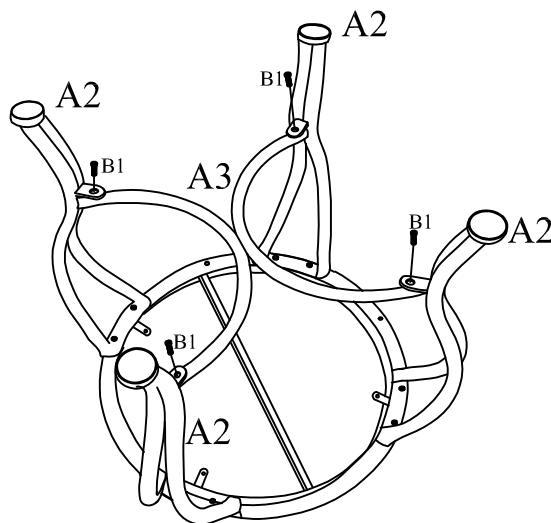


Assemble Legs A2 to the Frame A4 using Bolts B1.
Note: Please do not tighten Bolts B1 until Step 4.

STEP 2

B1  4PCS

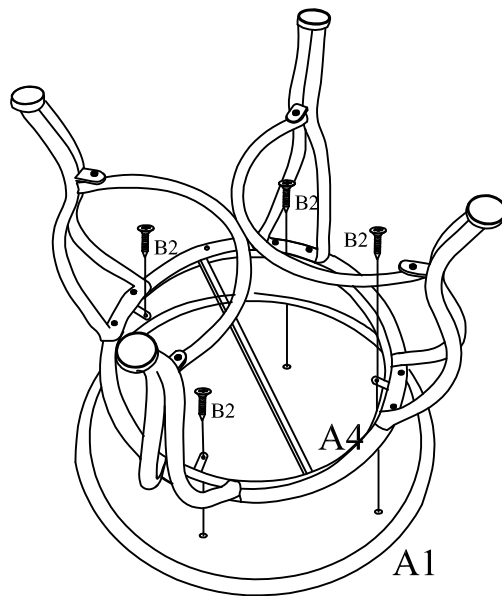
B3 



Attach Connect Frame A3 to Legs A2 using Bolts B1.
Note: Please do not tighten Bolts B1 until Step 4.

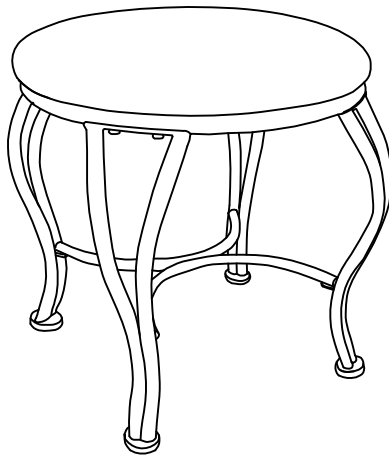
STEP 3

B2  4PCS



Assemble Seat Cushion A1 to Seat Frame A4 using Screws B2.
Note: Please do not tighten Screws B2 until step 4.

STEP 4



Please tighten Bolts B1 & Screws B2 at this point.
Note: Place this stool on the floor to check if it is stable before tightening all bolts.