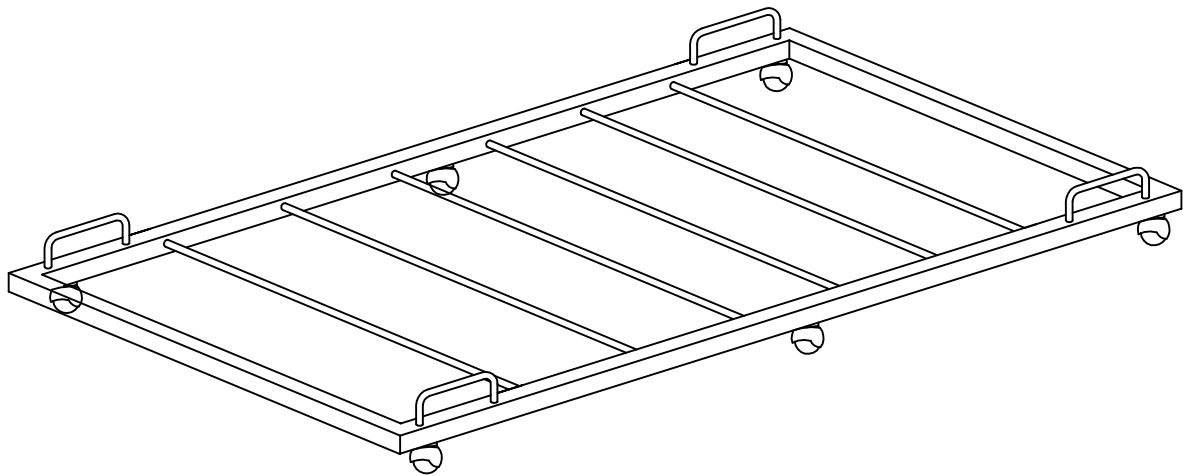


Assembly Instructions

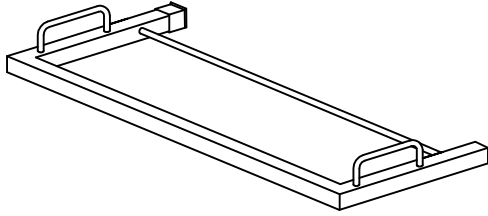
Style # TR01-B&TR02-W&TR04-CW
Trundle



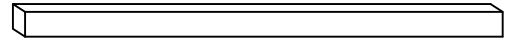
NOTE TO CUSTOMERS:

- For ease and speed of assembly we recommend that before you commence each step of the assembly that you identify all the parts required to complete that step.
- We recommend that where possible you allow sufficient space to assemble the item as close as possible to the place where it will be once assembled.
- For the protection of your furniture we recommend that the product is placed on protected surfaces during assembly to prevent any damage.
- During assembly do not over tighten, as this may damage the product.
- Please ensure you retain all the product packaging until the item completely assembled.
- Please periodically check all fittings and re-tighten as necessary.
- It is recommended that this item should be assembled by two adults.

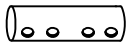
Part list



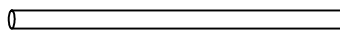
A1 2PCS



A2 2PCS



A3 4PCS

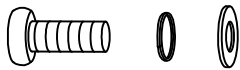


A4 4PCS



A5 6PCS

Hardware list



B1 16sets



Allen Key

(provided)

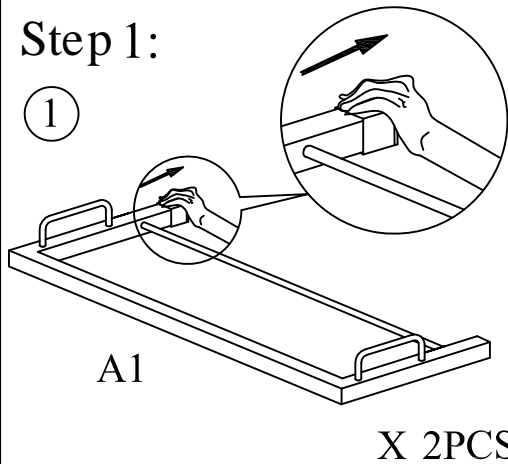


Open Spanner

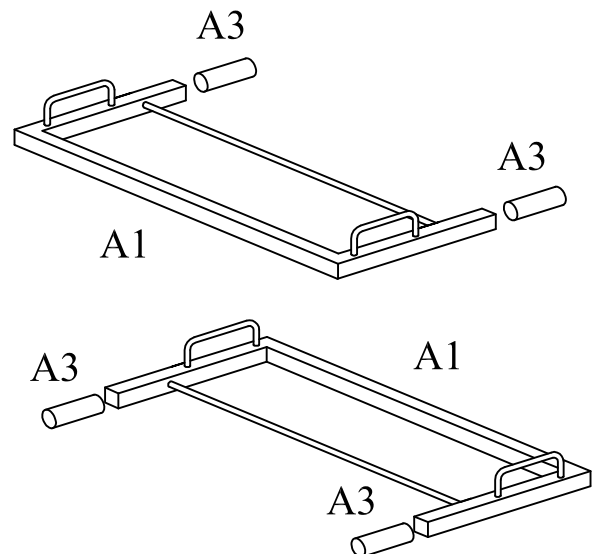
(provided)

Step 1:

①

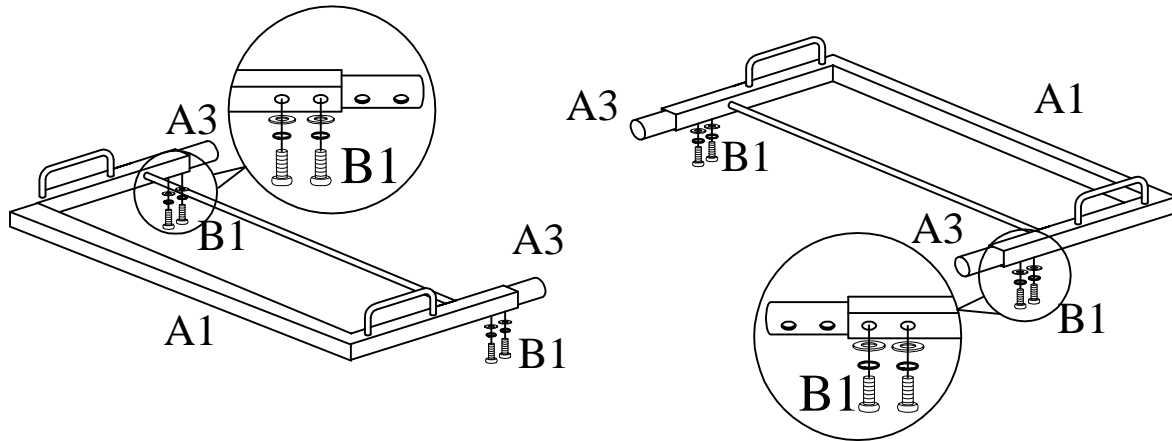


②



Pull out the plastic stoppers on metal frames A1, then insert the connecting tubes A3 into metal frames A1.

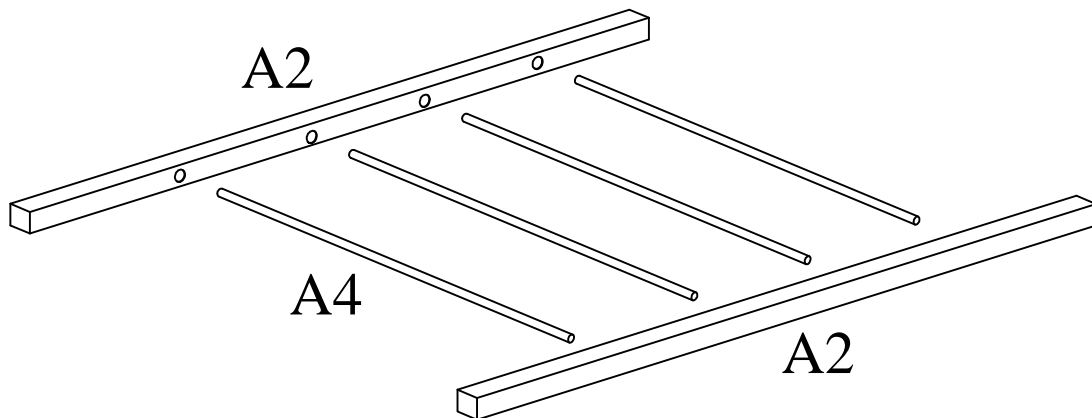
Step 2 :



Assemble the connecting tubes A3 to metal frames A1 using bolts and washers B1.

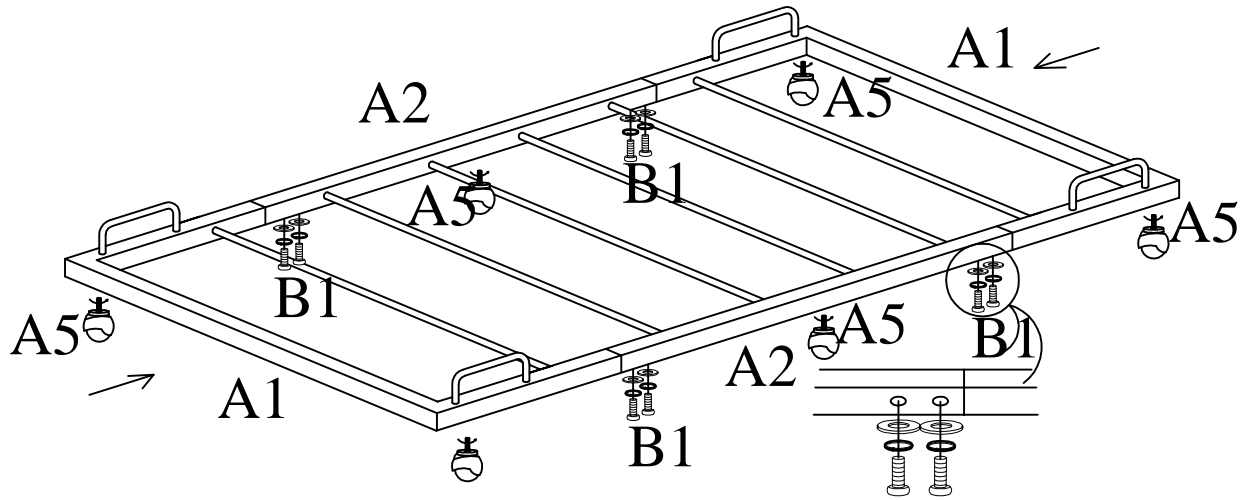
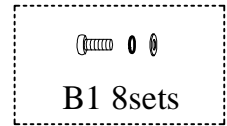
NOTE: Please do not tighten all the bolts B1 until Step 4.

Step 3:



Insert the metal tube slats A4 into metal rails A2.

Step 4:



- 1). Insert metal frames A1 with connecting tubes A3 into metal rails A2, and then screw in with bolts and washers B1 (Do not tighten the bolts).
- 2). Push hard A1 to A2 and then tighten all the bolts B1 at this point.
- 3). Screw the casters A5 into the trundle bottom using spanner as provided.