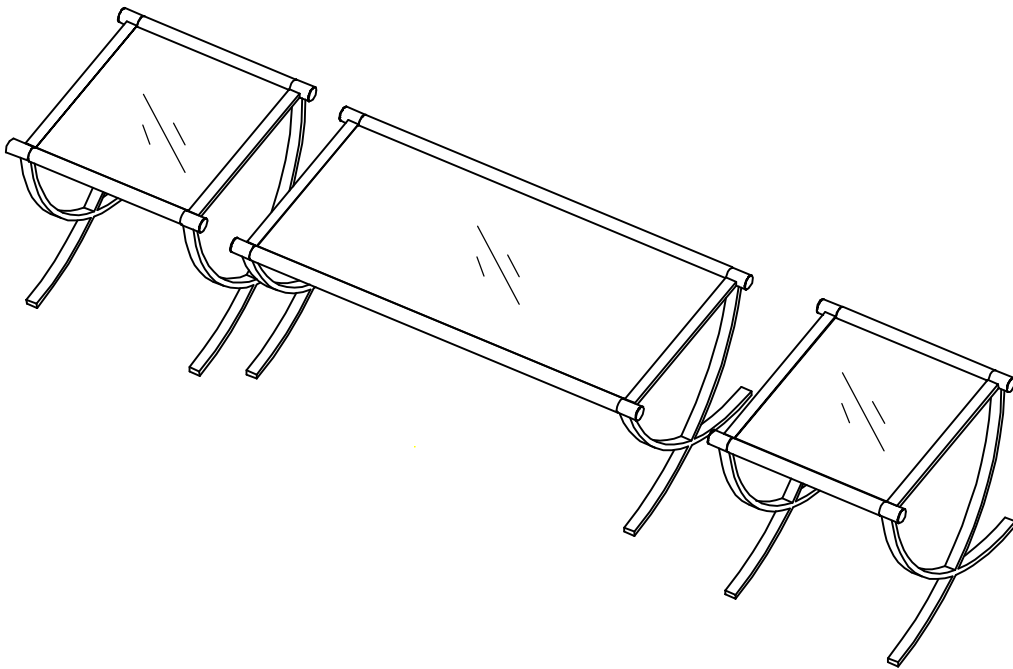


Assmebly instructions

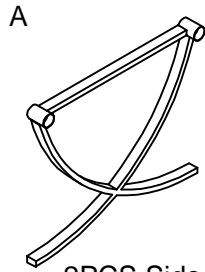
Style#T210 3pk Table



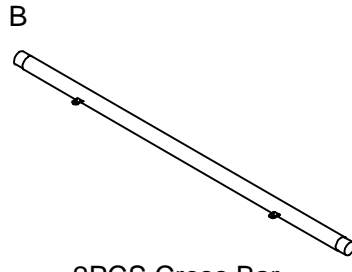
Note:

- 1) It is recommended that this item should be assembled by two adults.
- 2) Please do not sit on the table.
- 3) Do not place very hot and very cold items directly on the table top.
- 4) Clean with non-abrasive cloth and chemical cleaners.

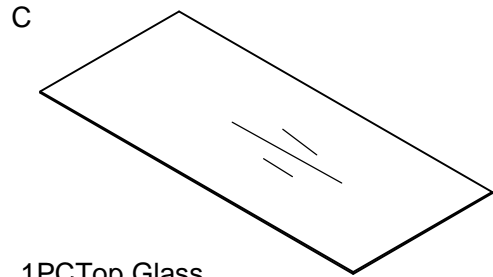
Assembly instructions for big table



2PCS Side Frame



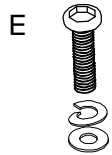
2PCS Cross Bar



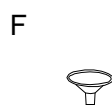
1PC Top Glass



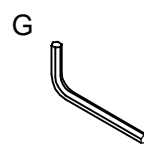
4PCS



1/4*1
4PCS

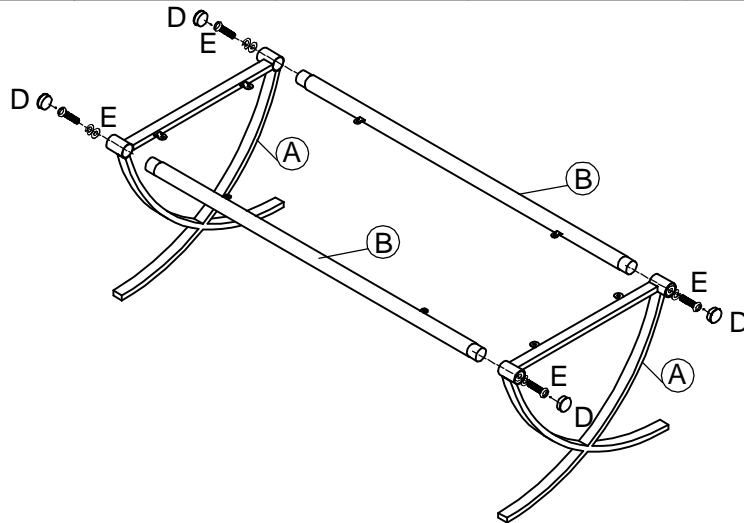


Ø32
8PCS

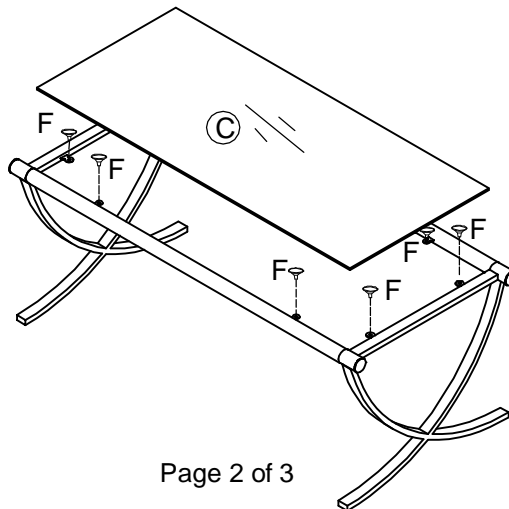


1PC

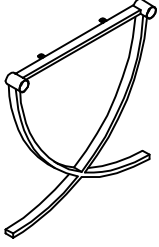
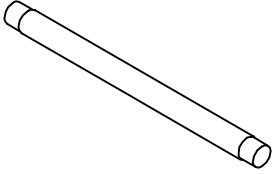
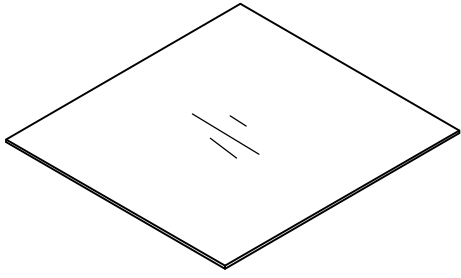



1



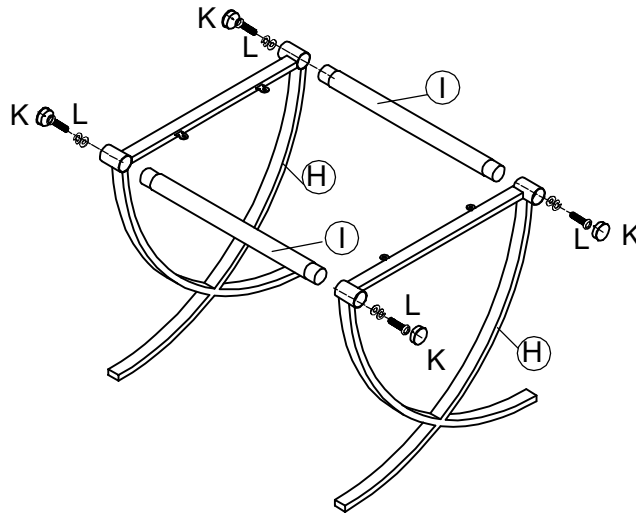
2



Assembly instructions for end table

<p>H</p>  <p>4PCS Side Frame</p>	<p>I</p>  <p>4PCS Cross Bar</p>	<p>J</p>  <p>2PCS Top Glass</p>	
<p>K</p>  <p>8PCS</p>	<p>L</p>  <p>1/4*1 8PCS</p>	<p>M</p>  <p>Ø25 8PCS</p>	

1



2

