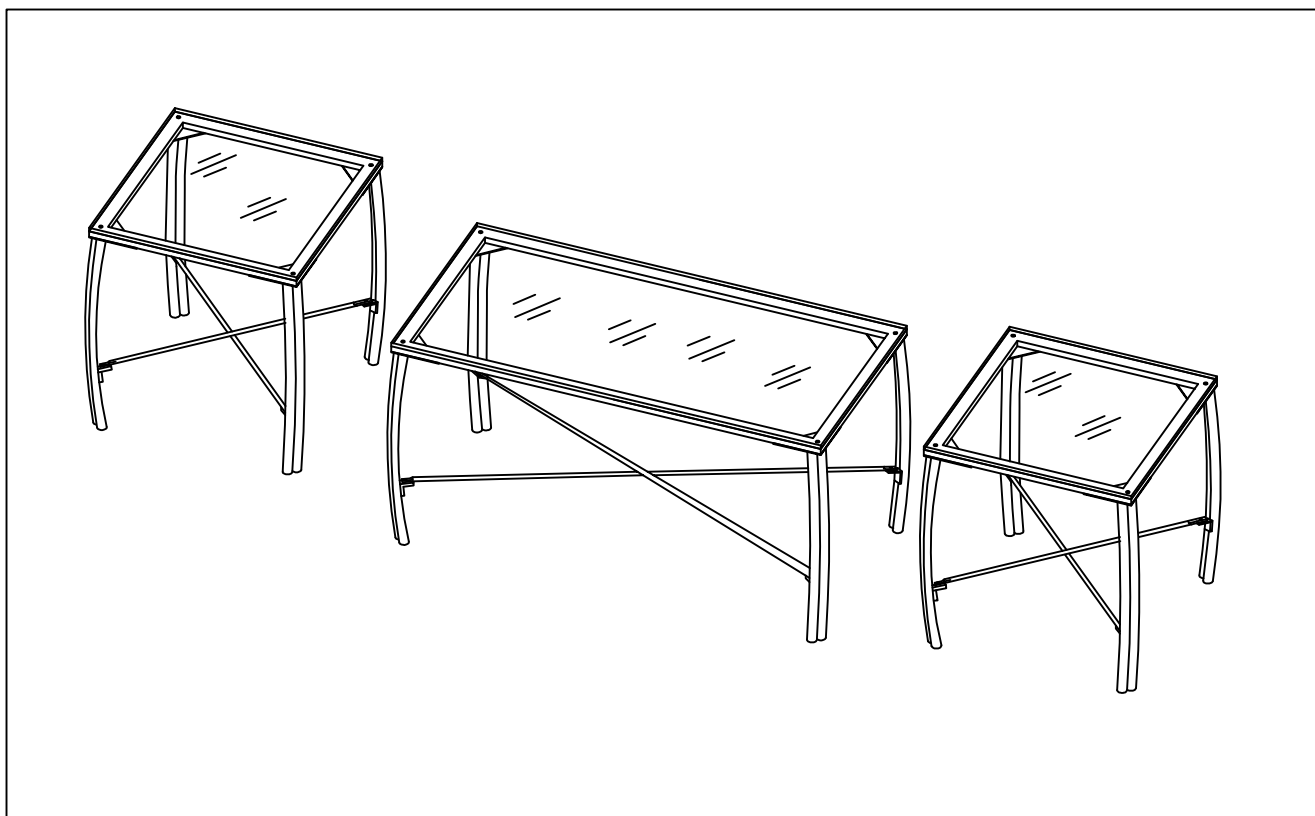
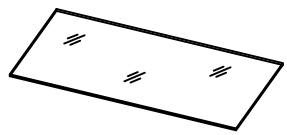
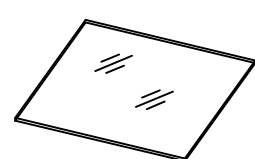
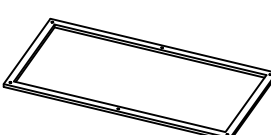
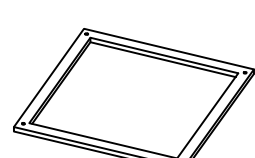



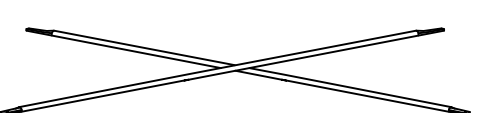
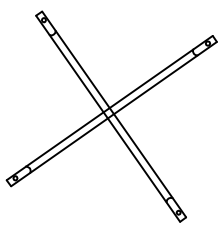


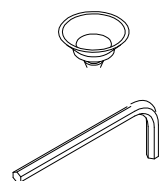


# ASSEMBLY INSTRUCTIONS

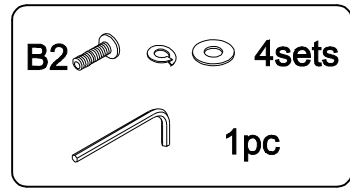
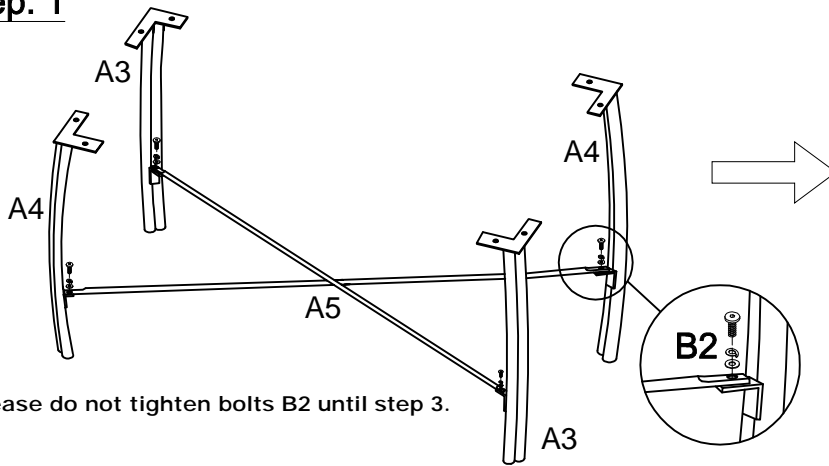
Style # T202 3 Pack Table



It is recommended that this item should be assembled by two adults.

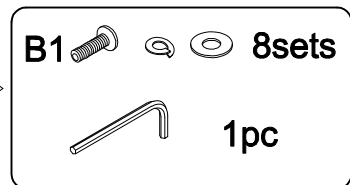
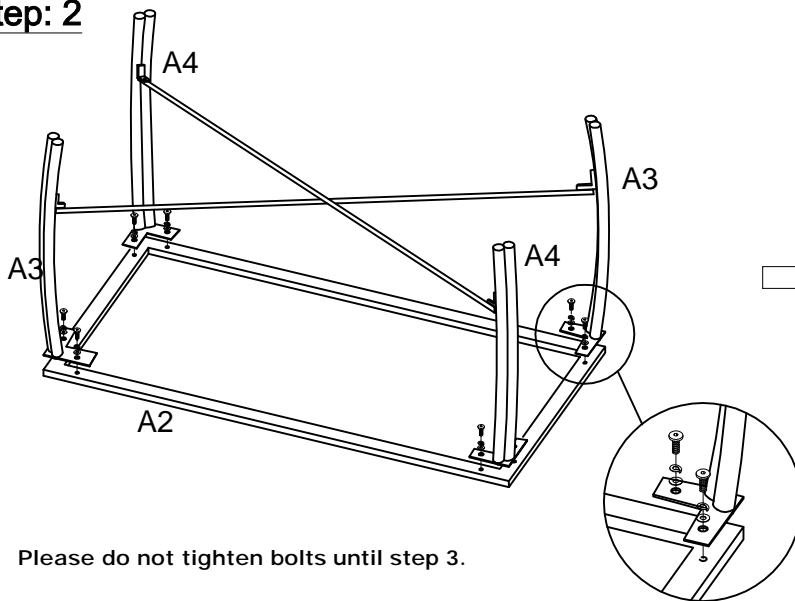
|   |   |
|---|---|
| <p>A1 COFFEE TABLE TOP GLASS PANEL<br/>1PC</p>     | <p>A6 END TABLE TOP GLASS PANEL<br/>2PCS</p>    |
| <p>A2 SURFACE FRAME 1PC</p>                        | <p>A7 SURFACE FRAME 2PCS</p>                    |
| <p>A3 SHORT LEG (for coffee table)<br/>2PCS</p>    | <p>A8 LONG LEG (for end tables)<br/>8PCS</p>  |
| <p>A4 SHORT LEG (for coffee table)<br/>2PCS</p>  |   |
| <p>A5 COFFEE TABLE LEG STRETCHERS<br/>1PC</p>    | <p>A9 END TABLE LEG STRETCHER<br/>2PCS</p>   |
| <p>B1</p>                                        | <p>BOLTS <math>\frac{1}{4} \times \frac{1}{2}</math>" L (12mm) 24sets</p>   |
| <p>B2</p>                                        | <p>BOLTS <math>\frac{1}{4} \times \frac{3}{8}</math>" L (9mm) 12sets</p>  |
| <p>B3</p>                                        | <p>SUCTION CUP (for top glass panel) 14PCS<br/>ALLEN WRENCH(4mm) 1PC</p>  |

**Step: 1**



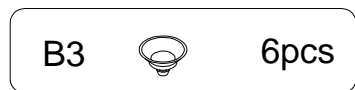
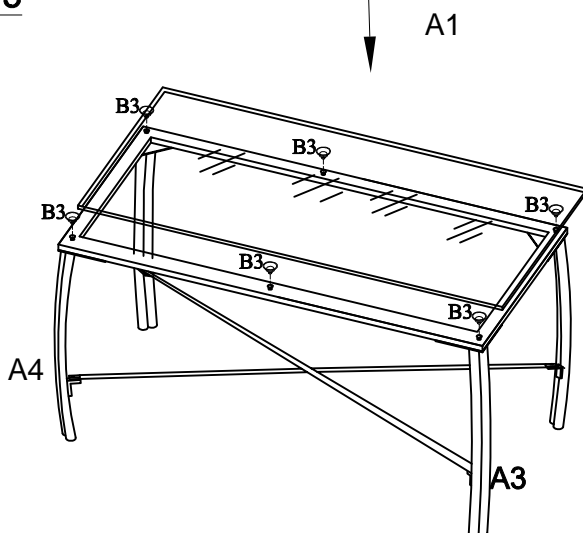
Please do not tighten bolts B2 until step 3.

**Step: 2**



Please do not tighten bolts until step 3.

**Step: 3**



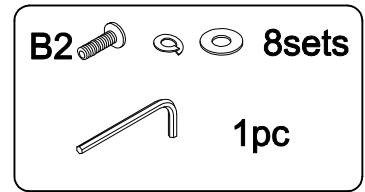
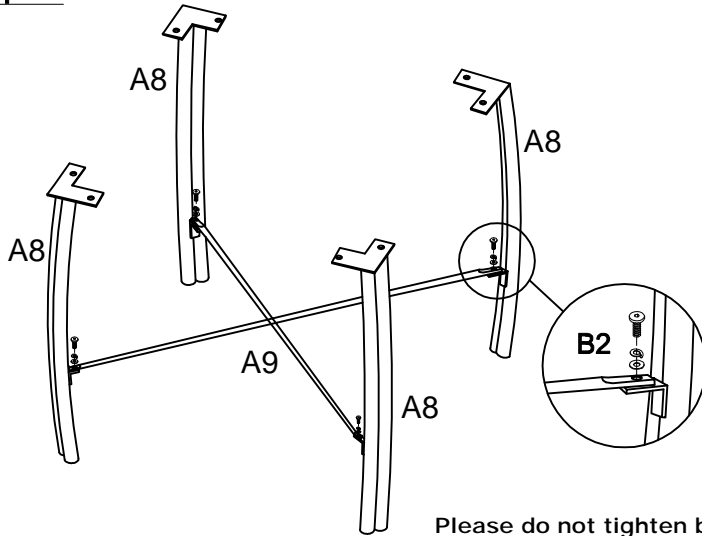
Please tighten all bolts B1 & B2 at this point before place the glass top.

**NOTE:**

- 1), Please do not sit on the table.
- 2), Do not place very hot or very cold items directly on the table top.
- 3), Clean with non-abrasive cloth and no chemical cleaners used.

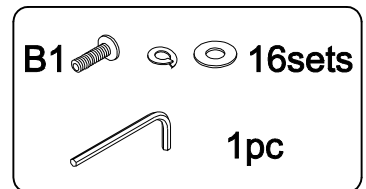
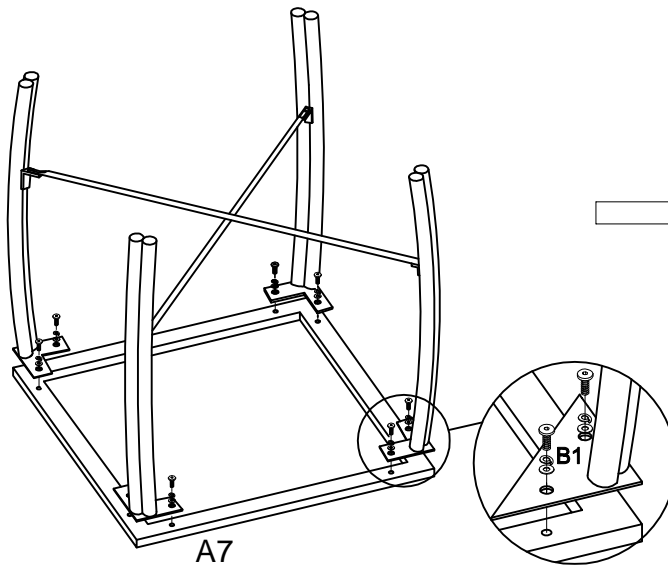
If you find the table with legs is not level, please loosen the bolts B1, B2, and place the table on a leveling surface and then tighten again.

**Step: 4**



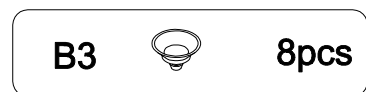
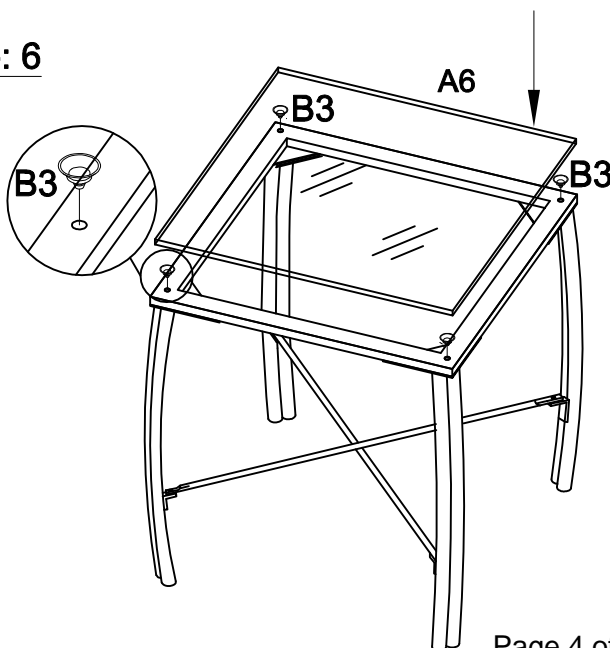
Please do not tighten bolts B2 until step 6.

**Step: 5**



Please do not tighten bolts B1 until step 6.

**Step: 6**



Please tighten bolts B1 & B2 at this point before place the glass top.

**NOTE:**

- 1), Please do not sit on the table.
- 2), Do not place very hot or very cold items directly on the table top.
- 3), Clean with non-abrasive cloth and no chemical cleaners used.

If you find the table with legs is not level, please loosen the bolts B1, B2, and place the table on a leveling surface and then tighten again.