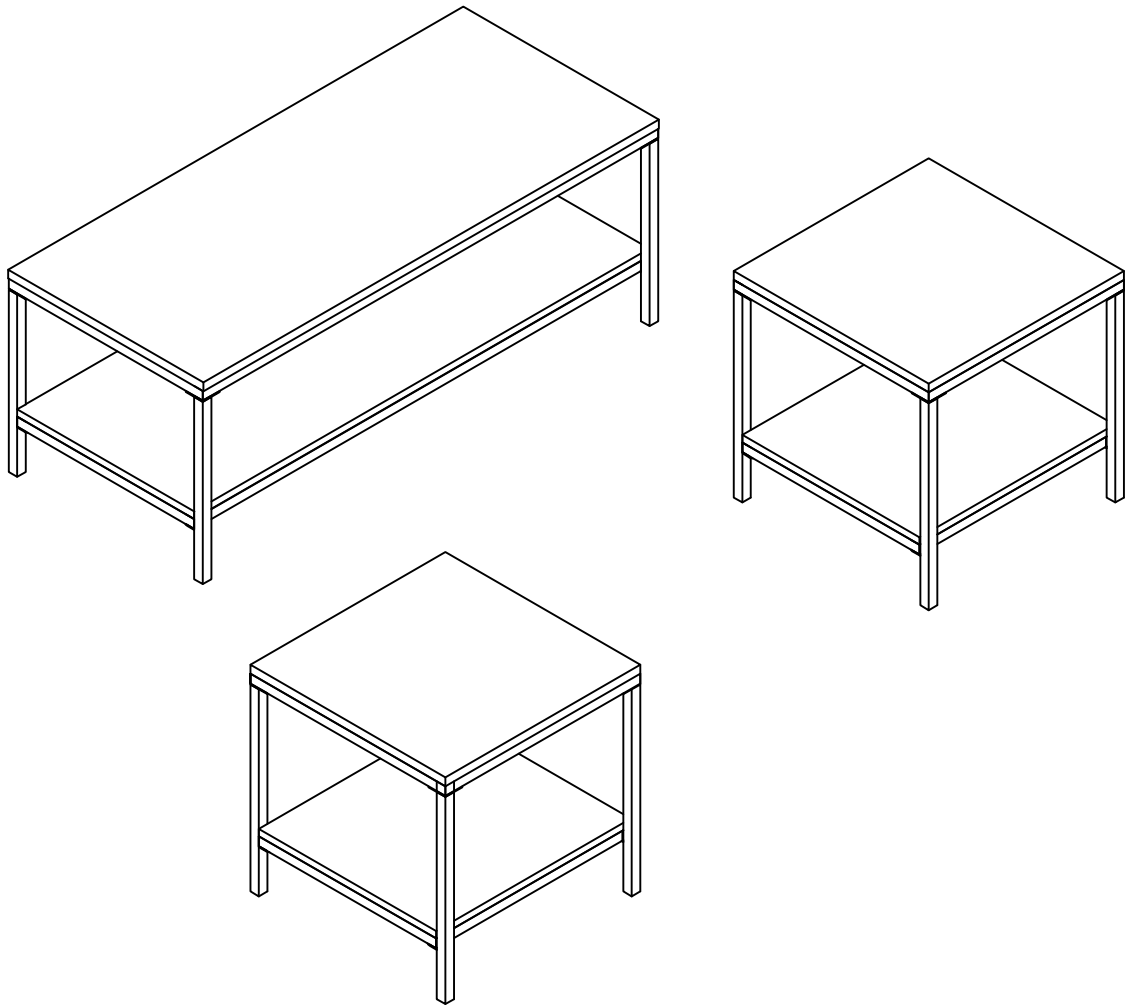


# ASSEMBLY INSTRUCTIONS

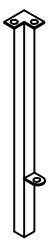
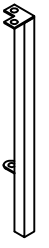
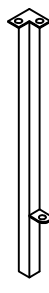
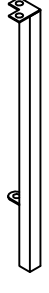
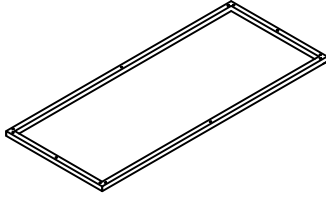
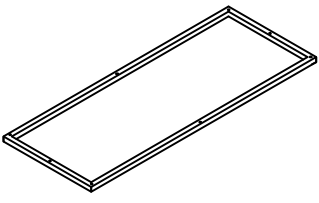
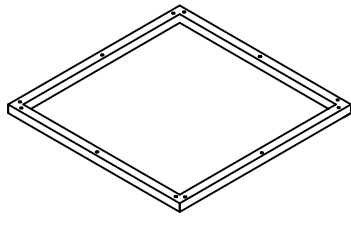
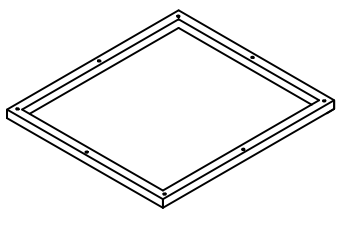
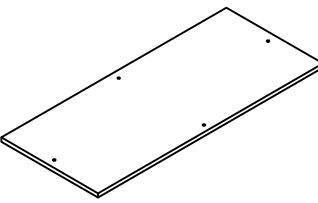
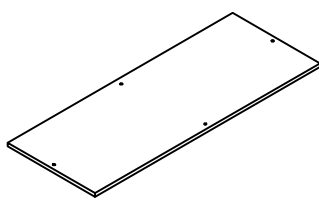
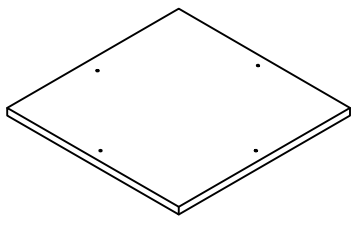
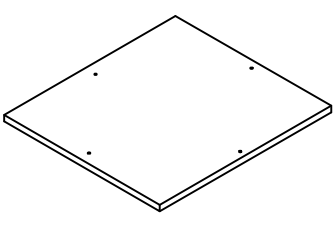
## Style# T1166 3 Pack Tables



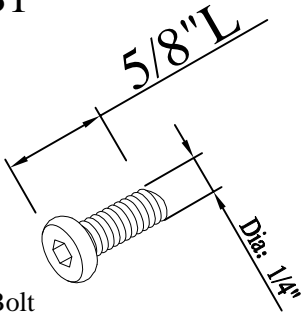
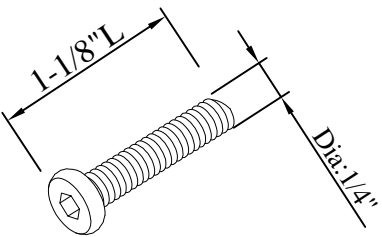

### NOTE TO CUSTOMERS:

- For ease and speed of assembly we recommend that before you commence each step of the assembly that you identify all the parts required to complete that step.
- We recommend that where possible you allow sufficient space to assemble the item as close as possible to the place where it will be once assembled.
- For the protection of your furniture we recommend that the product is placed on protected surfaces during assembly to prevent any damage.
- During assembly do not over tighten, as this may damage the product.
- Please ensure you retain all the product packaging until the item completely assembled.
- Please periodically check all fittings and re-tighten as necessary.
- Never allow any liquids to remain on your furniture as absorption can cause the wood to warp or the finish to de-laminate.
- It is recommended that this item should be assembled by two adults.

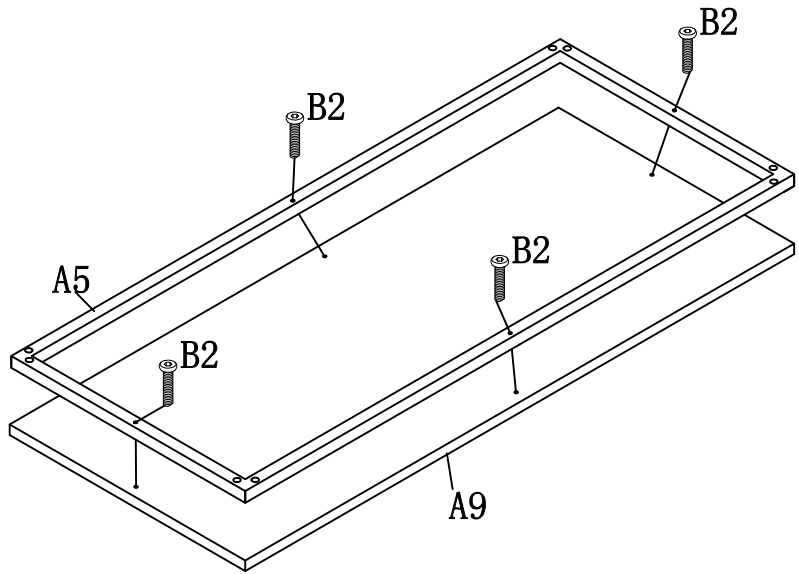
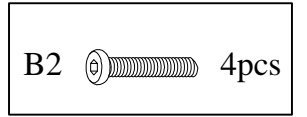
# Part List

<p><b>A1</b> <span style="float: right;">Quantity of 2</span></p>  <p>Leg -Coffee Table</p>	<p><b>A2</b> <span style="float: right;">Quantity of 2</span></p>  <p>Leg-Coffee Table</p>	<p><b>A3</b> <span style="float: right;">Quantity of 4</span></p>  <p>Leg -End Table</p>	<p><b>A4</b> <span style="float: right;">Quantity of 4</span></p>  <p>Leg -End Table</p>
<p><b>A5</b> <span style="float: right;">Quantity of 1</span></p>  <p>Top frame-Coffee Table</p>	<p><b>A6</b> <span style="float: right;">Quantity of 1</span></p>  <p>Shelf frame-Coffee Table</p>	<p><b>A7</b> <span style="float: right;">Quantity of 2</span></p>  <p>Top frame-End Table</p>	<p><b>A8</b> <span style="float: right;">Quantity of 2</span></p>  <p>Shelf frame-End Table</p>
<p><b>A9</b> <span style="float: right;">Quantity of 1</span></p>  <p>Top panel-Coffee Table</p>	<p><b>A10</b> <span style="float: right;">Quantity of 1</span></p>  <p>Shelf panel-Coffee Table</p>	<p><b>A11</b> <span style="float: right;">Quantity of 2</span></p>  <p>Top panel-End Table</p>	<p><b>A12</b> <span style="float: right;">Quantity of 2</span></p>  <p>Shelf panel-End Table</p>
<b>Coffee Table X1</b>		<b>End Table X2</b>	

# Hardware List

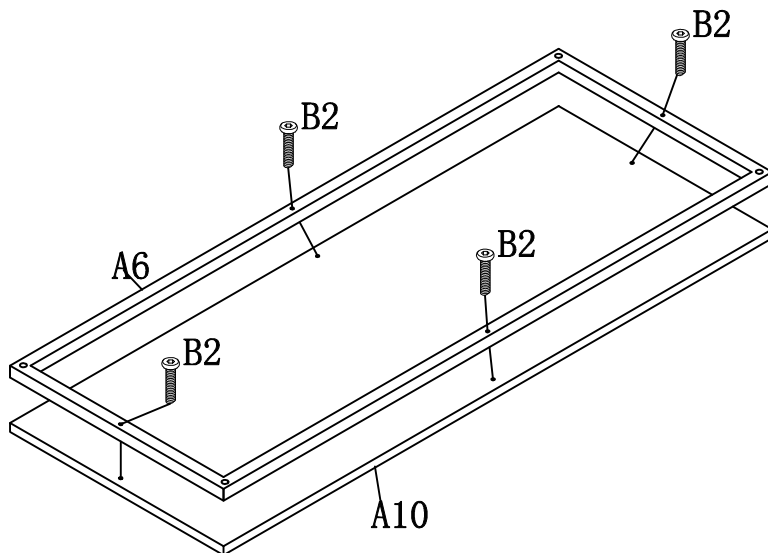
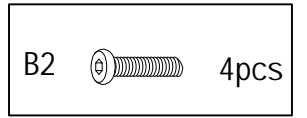
<p><b>B1</b> <span style="float: right;">Quantity of 36</span></p>  <p>Bolt</p>	<p><b>B2</b> <span style="float: right;">Quantity of 24</span></p>  <p>Bolt</p>	<p><b>B3</b> <span style="float: right;">Quantity of 1</span></p>  <p>Allen Wrench</p>
---	---	---

STEP 1:



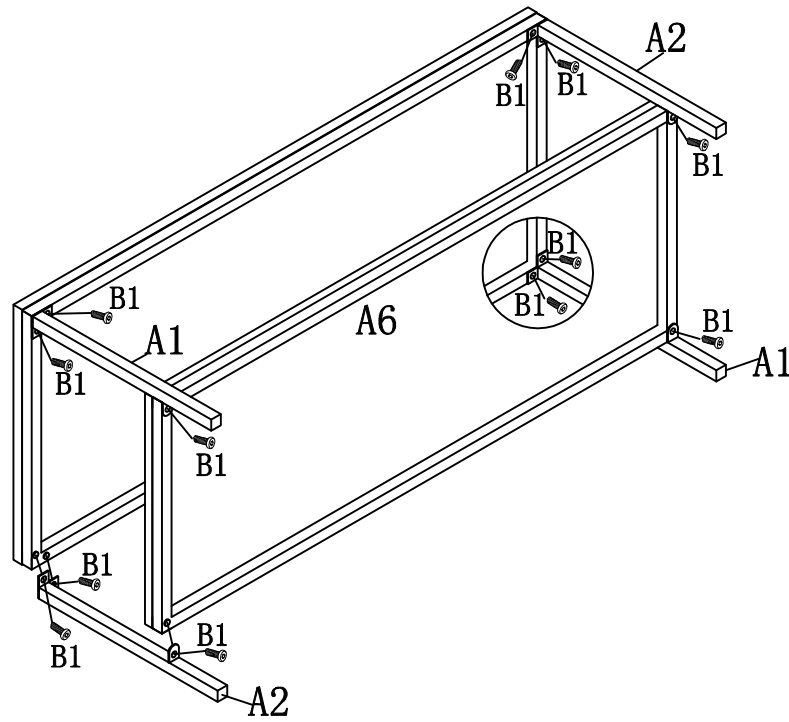
Assemble Top Panel A9 to Top Frame A5 using Bolts B2 .

STEP 1:



Assemble Shelf Panel A10 to Shelf Frame A6 using Bolts B2 .

### STEP 3:

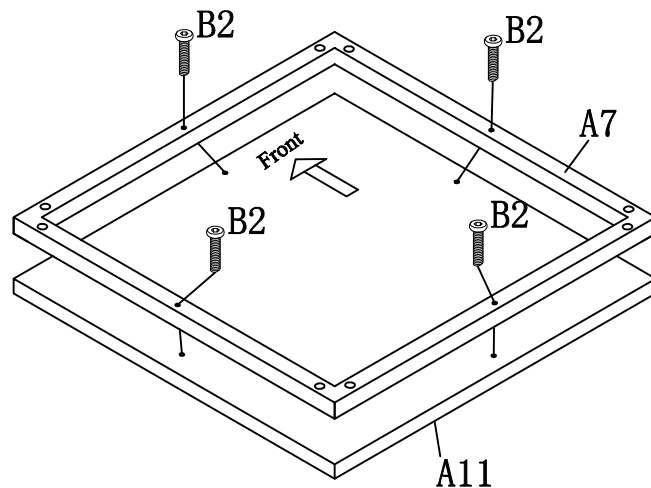



B1  12PCS

Assemble Legs A1&A2 to Top Frame A5 using Bolts B1. Then assemble Shelf Frame A6 to Legs A1&A2 using Bolts B1 .

NOTE: Place the table on the floor to check if it is stable before tightening all bolts.

### STEP 4:

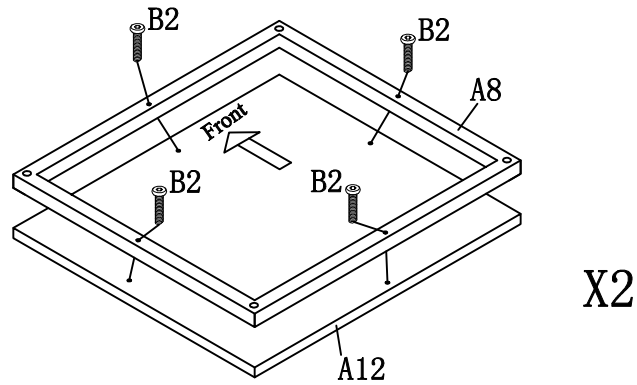
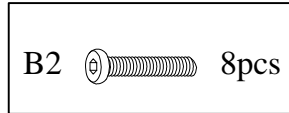


B2  8pcs

X2

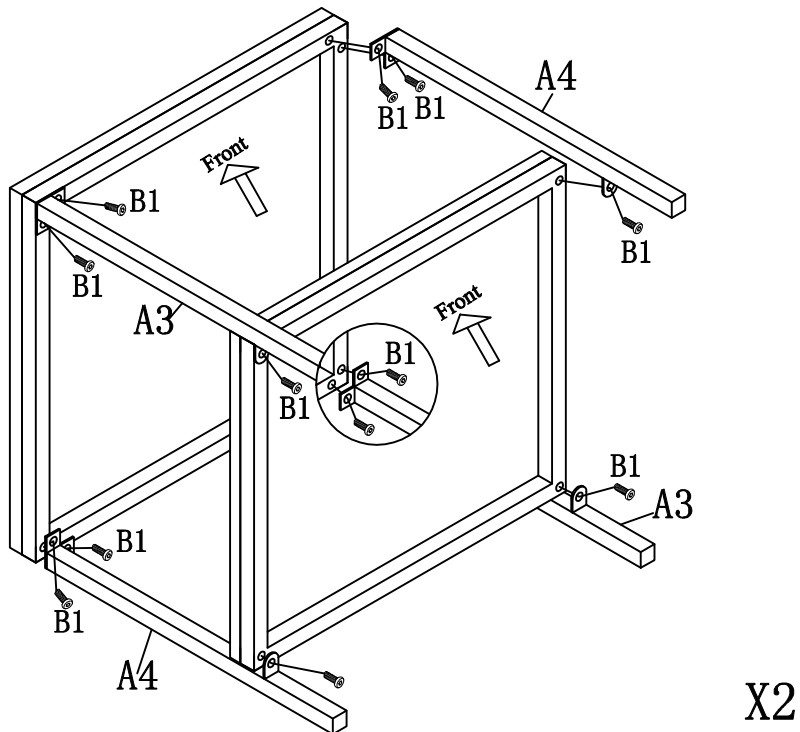
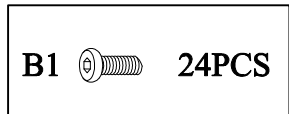
Assemble Top Panel A11 to Top Frame A7 using Bolts B2 .

**STEP 5:**



Assemble Shelf A12 to Shelf Frame A8 using Bolts B2 .

**STEP 6:**



Assemble Legs A3&4to Top Frame A7 using Bolts B1 . Then assemble Shelf Frame A8 to Legs A3&4 using Bolts B1 .

**NOTE:** Place the table on the floor to check if it is stable before tightening all bolts.