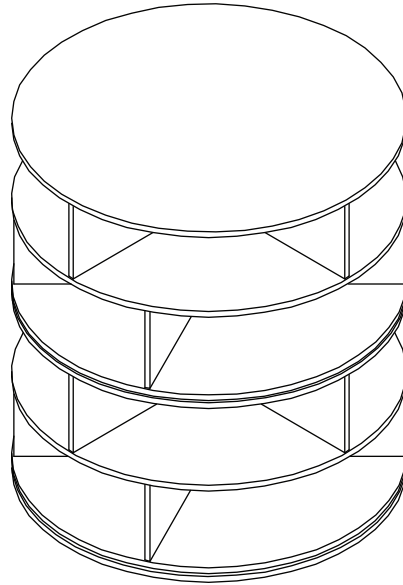


ASSEMBLY INSTRUCTIONS

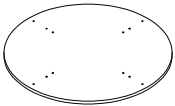
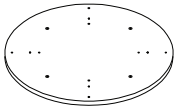
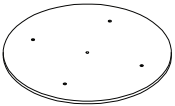
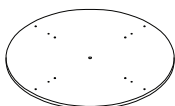

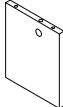
MODEL : #SR 6451 SHOE RACK



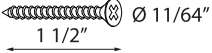

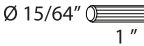
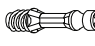


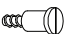


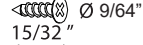
NOTE TO CUSTOMERS:

- For ease and speed of assembly we recommend that before you commence each step of the assembly that you identify all the parts required to complete that step.
- We recommend that where possible you allow sufficient space to assemble the item as close as possible to the place where it will be once assembled.
- For the protection of your furniture we recommend that the product is placed on a dry, soft, smooth and clean surfaces during assembly to prevent any damage. Avoid damp and direct sunlight.
- During assembly do not over tighten the screws or bolts, as this may damage the product.
- Please ensure you retain all the product packaging until the item is completely assembled.
- Periodically check all fitting and re-tighten as necessary.
- Never allow any liquids to remain on your furniture as absorption can cause the wood to warp or finish to de-laminate.
- It is recommended that this item should be assembled by two adults.

PARTS IDENTIFICATION

<p>P1 Quantity: 1</p>  <p>Top Panel</p>	<p>P2 Quantity: 2</p>  <p>Top/Base Middle Panel</p>	<p>P3 Quantity: 2</p>  <p>Top/Base Lower Panel</p>	<p>P4 Quantity: 1</p>  <p>BaseTop Panel</p>	<p>P5 Quantity: 1</p>  <p>Base Bottom Panel</p>
<p>P6 Quantity: 16</p>  <p>Divider Panel</p>				

HARDWARE LIST

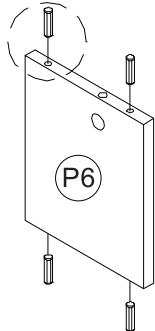
<p>H1 Screw #9 x 1 1/2"</p>  <p>Quantity: 16 pcs</p>	<p>H2 Screw m4 x 28mm</p>  <p>Quantity: 8 pcs</p>	<p>H3 Wooden Dowel m6x 25mm</p>  <p>Quantity: 64 pcs</p>	<p>H4 Connecting Bolts</p>  <p>Quantity: 16 pcs</p>	<p>H5 Cam Lock 15/9.5mm</p>  <p>Quantity: 16 pcs</p>
<p>H6 Sofa leg</p>  <p>Quantity: 8 pcs</p>	<p>H7 Pivot Bolt (For The Revolving Plate)</p>  <p>Quantity: 2 pcs</p>	<p>H8 Revolving Plate (Top)</p>  <p>Quantity: 2 pcs</p>	<p>H9 Revolving Plate (Bottom)</p>  <p>Quantity: 2 pcs</p>	<p>H10 Screw m3.5 x 12mm</p>  <p>Quantity: 8 pcs</p>

TOOLS REQUIRED

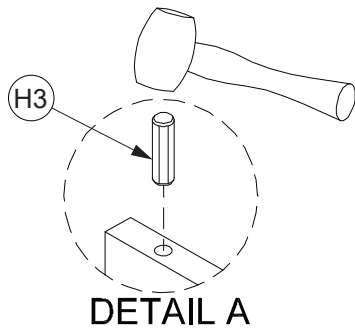
 <p>SCREW DRIVER</p>	 <p>MALLET</p>
---	--

STEP 1

DETAIL A

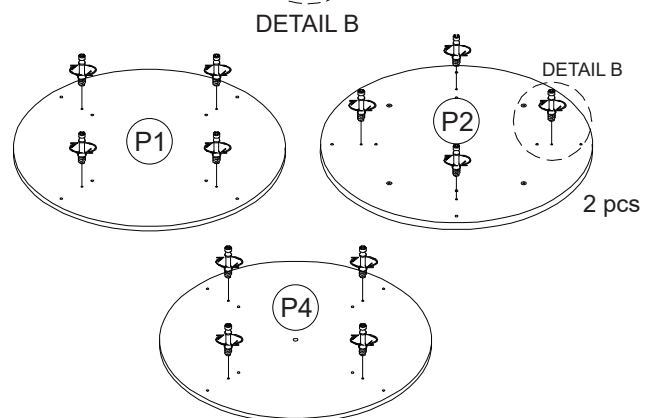
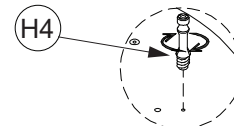


16 pcs

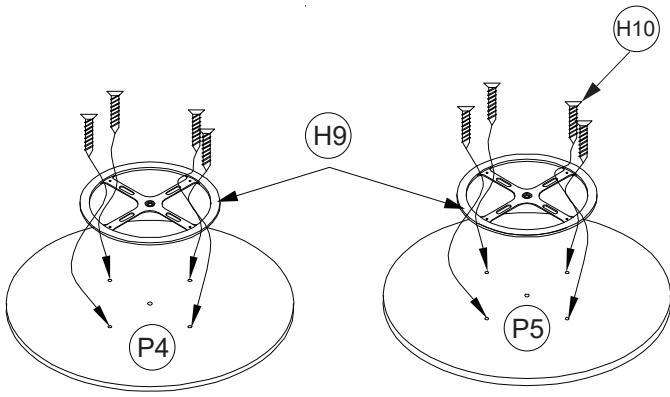


STEP 2

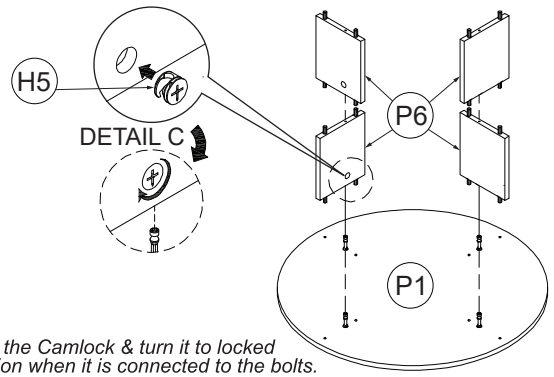
CONNECTING BOLT



STEP 3

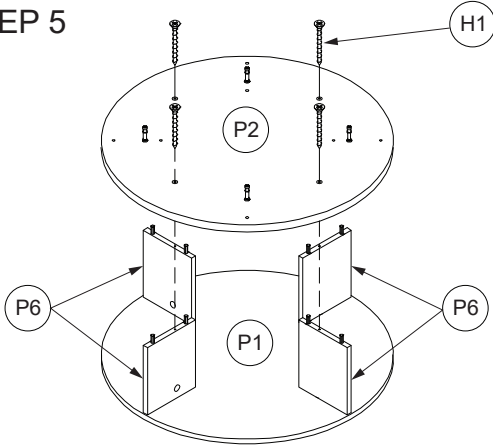


STEP 4

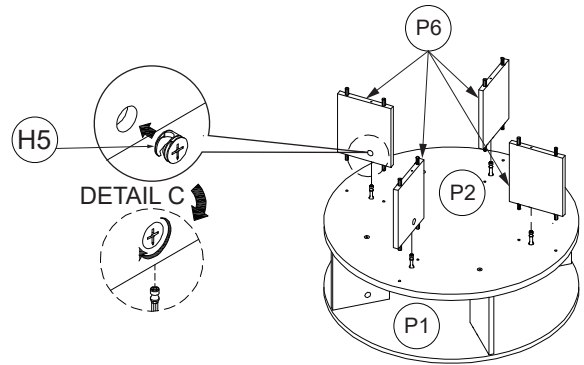


Align the Camlock & turn it to locked position when it is connected to the bolts.

STEP 5

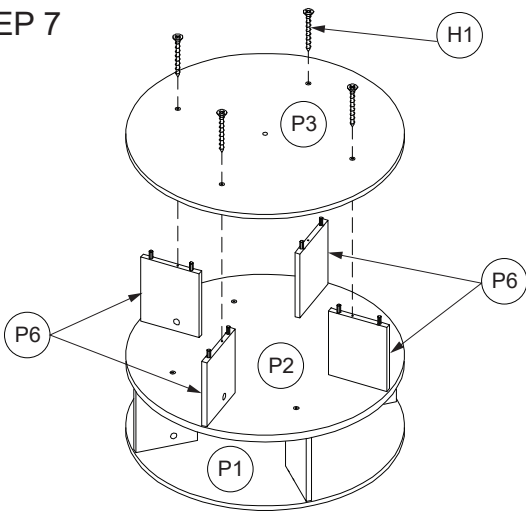


STEP 6

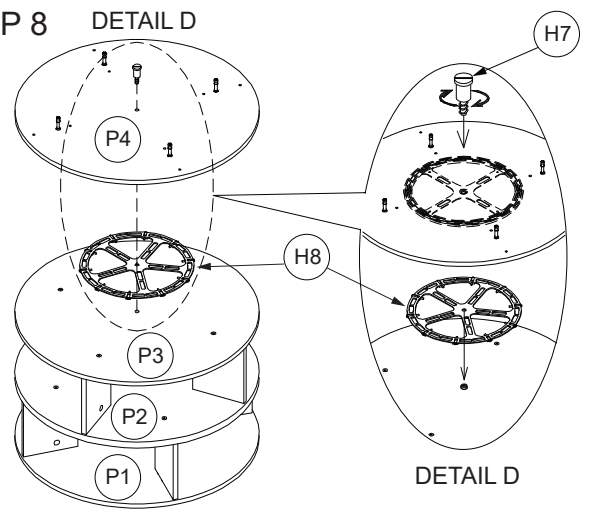


Align the Camlock & turn it to locked position when it is connected to the bolts.

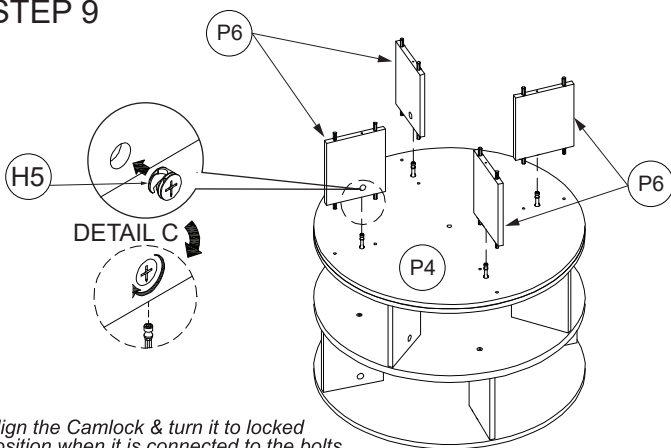
STEP 7



STEP 8

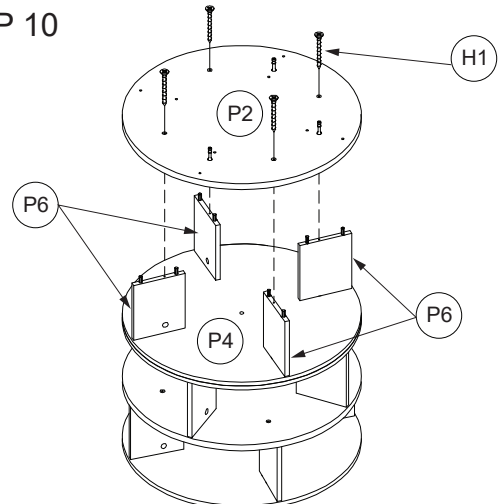


STEP 9

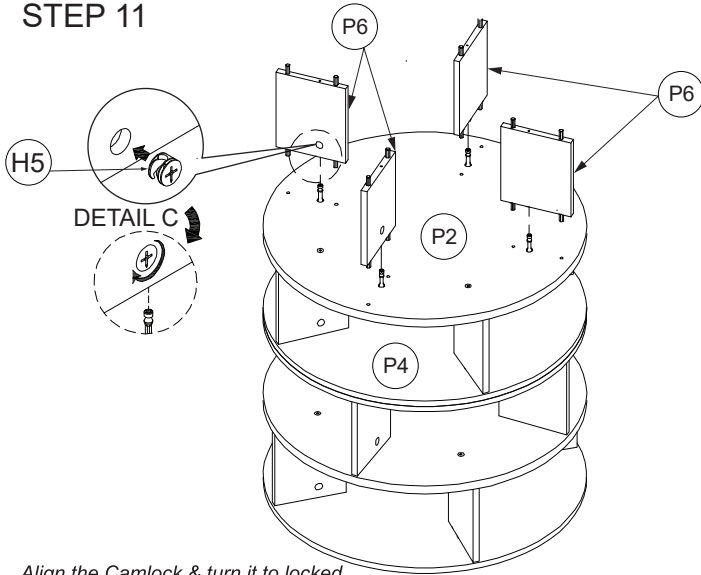


Align the Camlock & turn it to locked position when it is connected to the bolts.

STEP 10

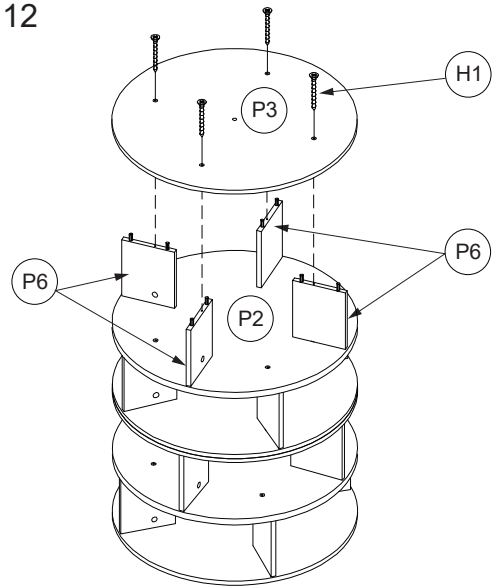


STEP 11

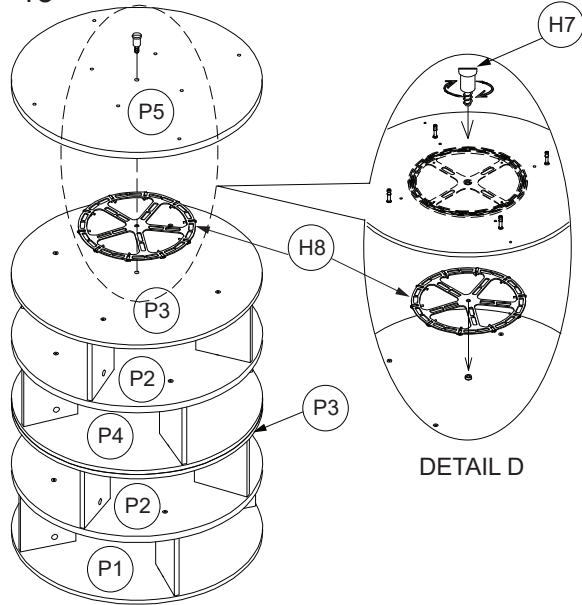


Align the Camlock & turn it to locked position when it is connected to the bolts.

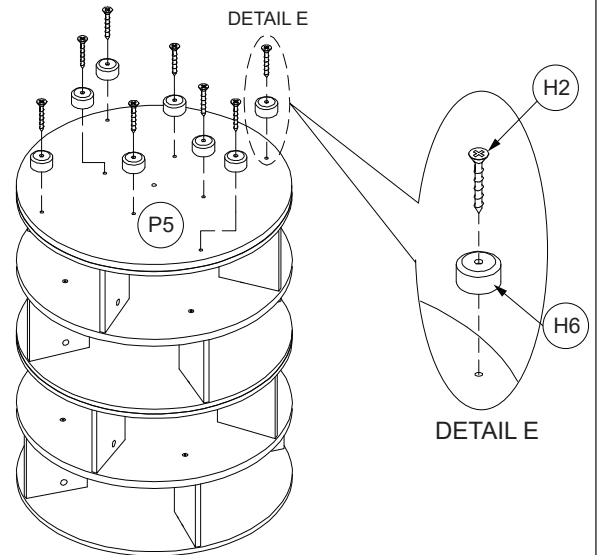
STEP 12



STEP 13



STEP 14



STEP 15

Turn the item upright, and it is ready to use.

