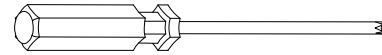
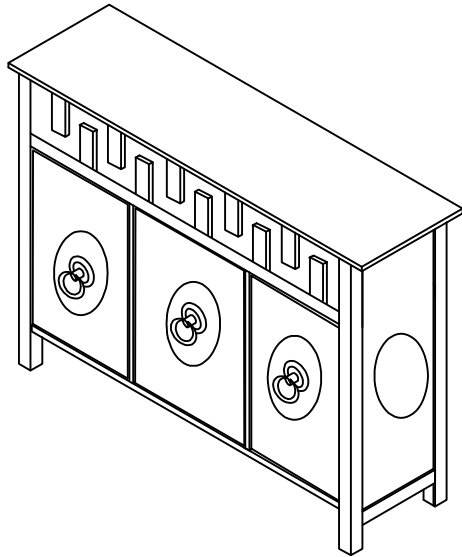


Assembly Instructions

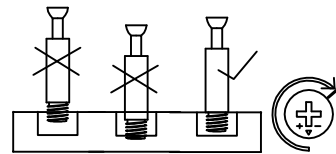
Tools Required

Hardware Provided

Style#R1320 Console



Phillips screwdriver



Note: Please don't over tighten the cam screws. Assure the cam screws properly fits into the plastic threaded insert. Otherwise the cam nut might not be able to catch the cam screws.

B1  **20SETS**

B2  **28PCS**

B3  **12PCS**

B4  **6PCS**

B5  **3SETS**

B6  **12PCS**

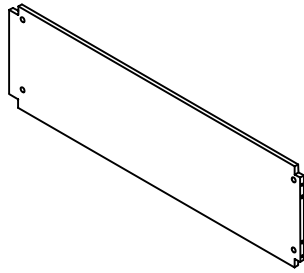


1PC

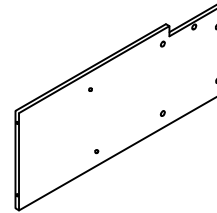
Apply a little glue into the wood dowel holes when inserting wood dowels.

It is recommended that this item should be assembled by two adults.

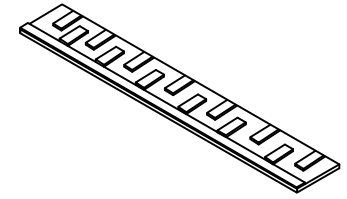
Furniture Parts



A1 1PC-Bottom panel

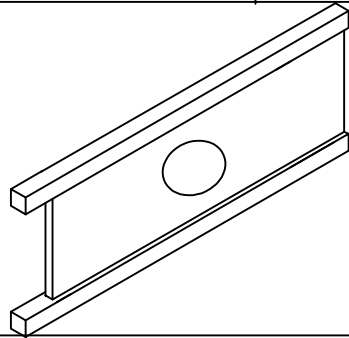


A2 (L,R) 2PCS-Middle divider

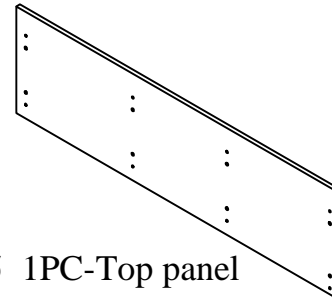


A3 1PC-Apron panel

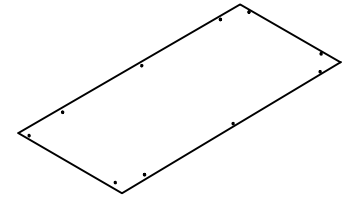
A4(L&R) 2PC-Side panel



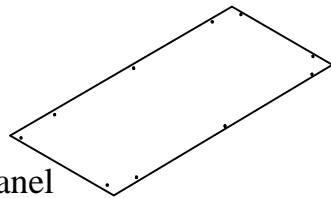
A5 1PC-Top panel



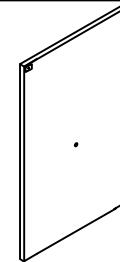
A6 1PC-Middle back panel



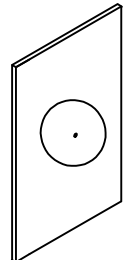
A7 1PCS-Side back panel



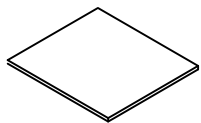
A8 2PCS-Left door



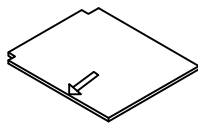
A9 1PC-Right door



A10 1PC-- Middle Removable shelf

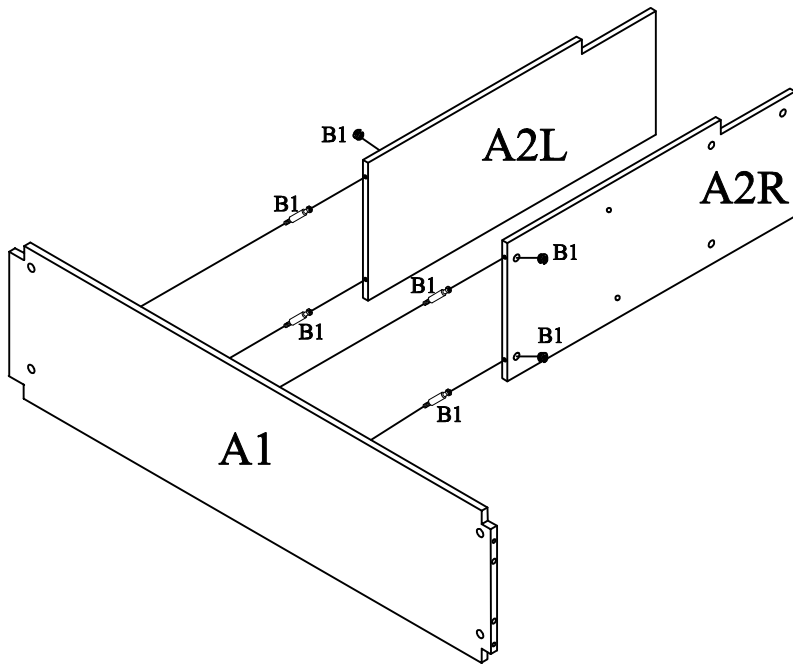


A11 2PCS Side Removable shelf



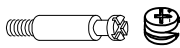
Step 1

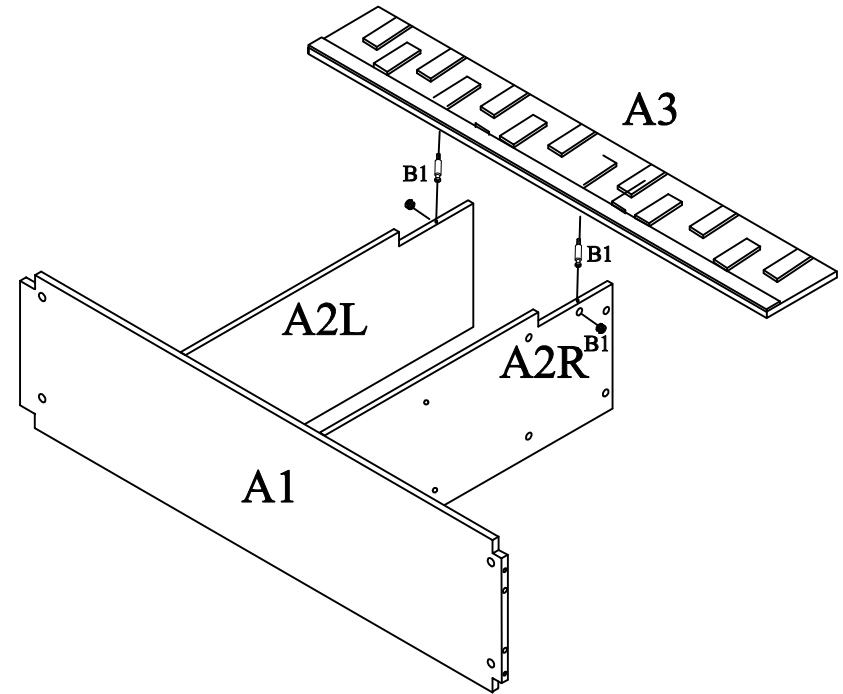
B1 :  4sets



Assemble the Middle dividers A2(L&R) to the bottom panel A1 using camlock B1.

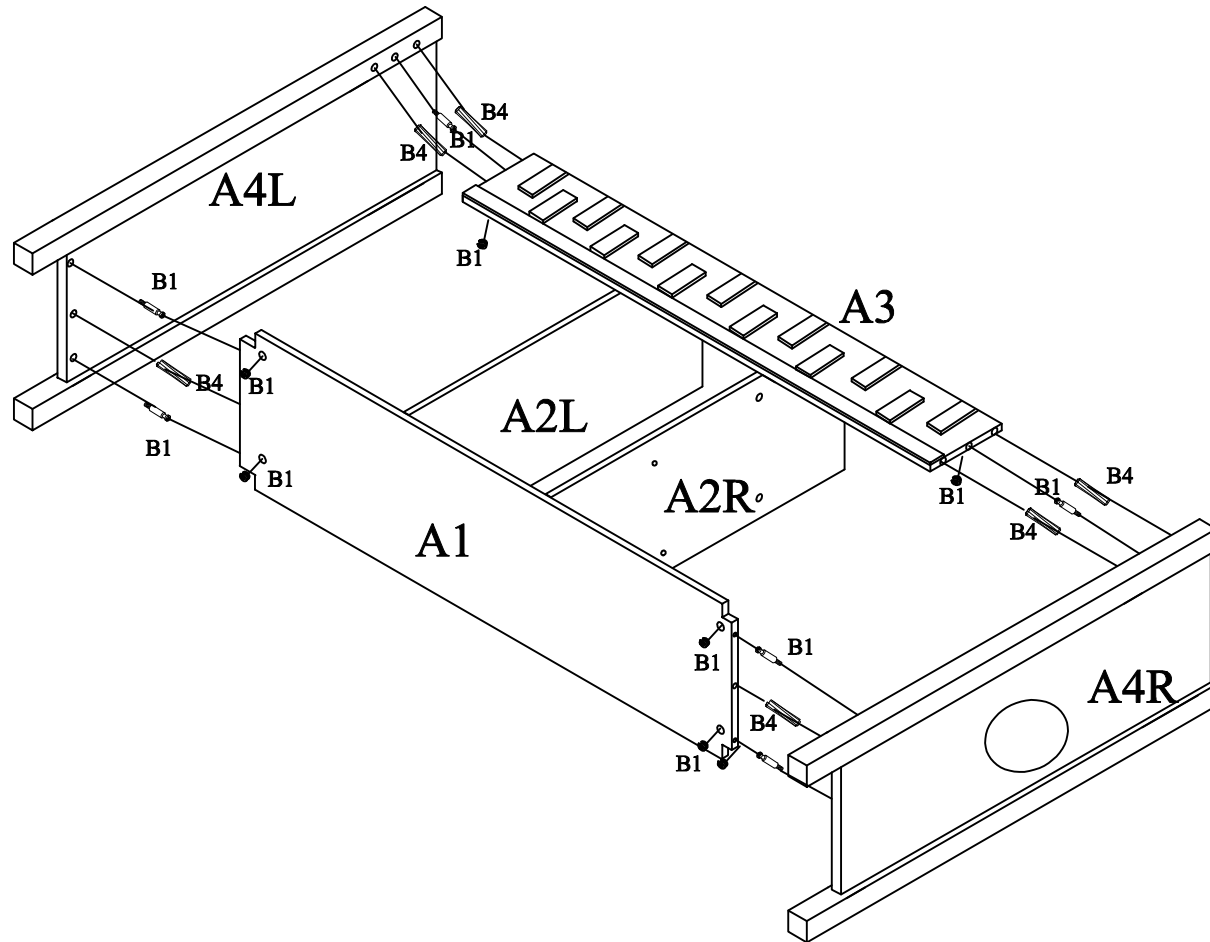
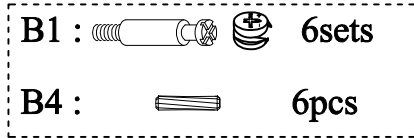
Step 2

B1 :  2sets



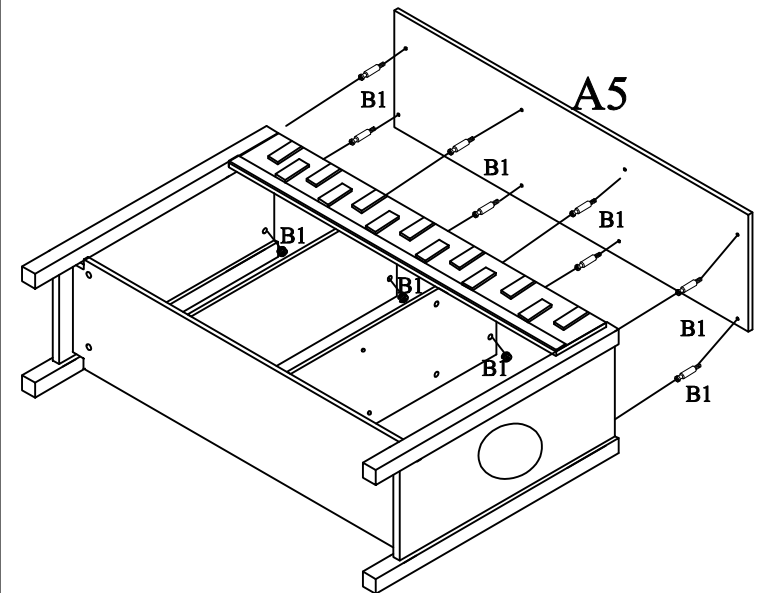
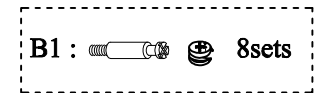
Assemble the apron panel A3 to the middle divider panels A2(L&R) using camlock B1.

Step 3



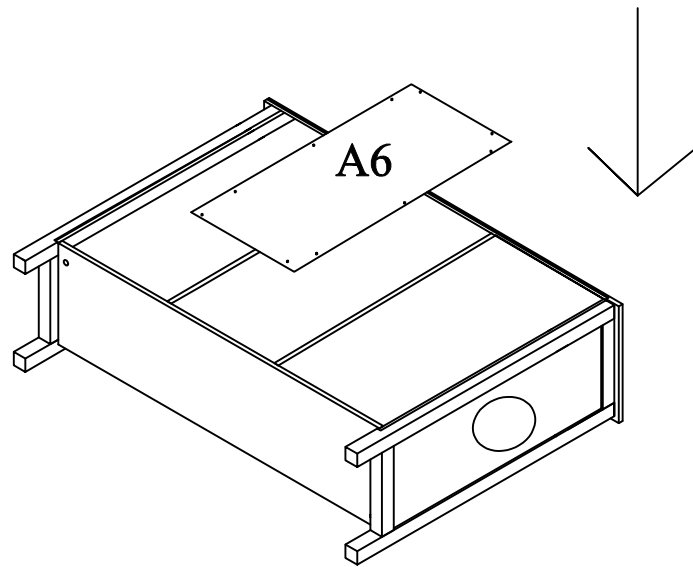
Assemble the side panels A4 (L&R) to the apron panel A3 and bottom panel A1 using camlocks B1 & wood dowels B4.

Step 4



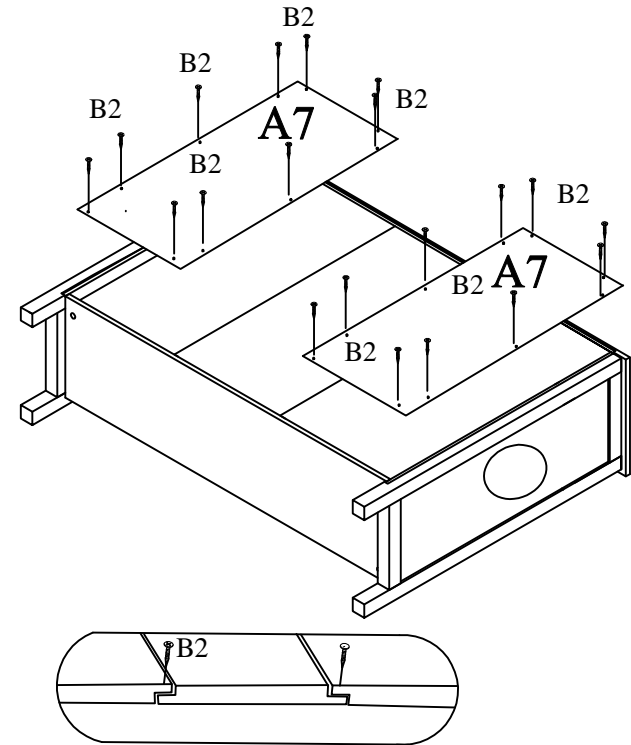
Assemble the top panel A5 to the middle divider panels A2(L&R) and side panels A4(L&R) using camlocks B1.

Step 5



Step 6

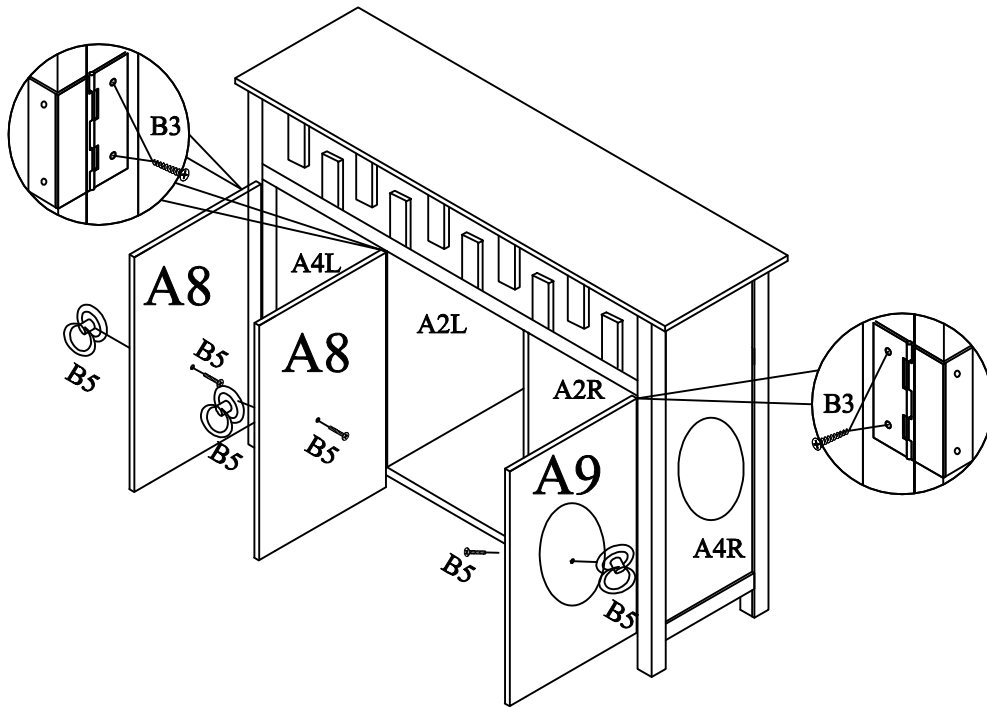
B2 :  28pcs



Screw the back panels A7 & A6 using screws B2 as shown above.

Step 7

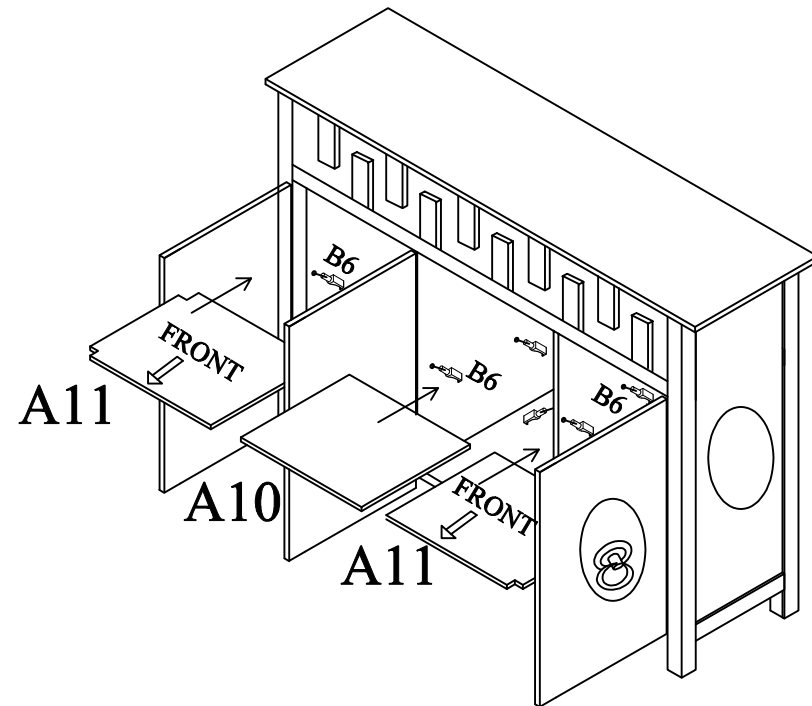
B3 :  12pcs



- 1). Attach the left door A8 to the left side panel A4L using screws B3.
- 2). Then screw the left door A8 to the middle divider A2L using screws B3 and screw the right door A9 to the right side panel A4R using screws B3.
- 3). Assemble the handle B5 to the doors A8 and A9 using the included screws .

Step 8

B6 :  12pcs



Inset the shelf supports B6 into the holes on the side panel A4(L&R) and middle divider panel A2 (L&R), then put the removable panels A10 & A11 onto the shelf supports B6.