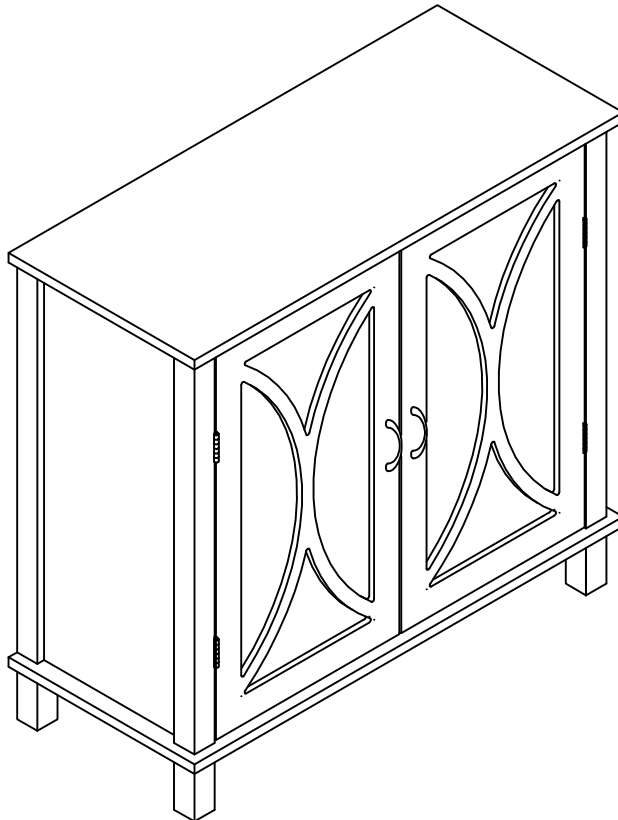


ASSEMBLY INSTRUCTIONS

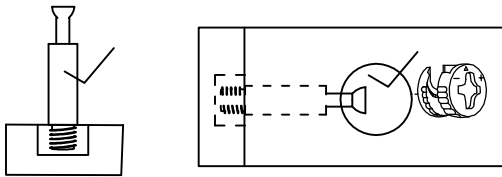
Style # R1219 Side table



NOTE TO CUSTOMERS:

- For ease and speed of assembly we recommend that before you commence each step of the assembly that you identify all the parts required to complete that step.
- We recommend that where possible you allow sufficient space to assemble the item as close as possible to the place where it will be once assembled.
- For the protection of your furniture we recommend that the product is placed on protected surfaces during assembly to prevent any damage.
- During assembly do not over tighten, as this may damage the product.
- Please ensure you retain all the product packaging until the item completely assembled.
- Please periodically check all fittings and re-tighten as necessary.
- Never allow any liquids to remain on your furniture as absorption can cause the wood to warp or the finish to de-laminate.
- It is recommended that this item should be assembled by two adults.

To use a cam lock: (Please read below instructions before assembling)



1. Insert cam screw into hole as shown in diagram A .

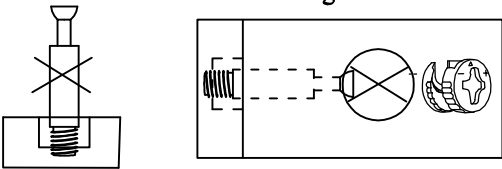


Diagram B

Make sure not to insert the cam screw:
Too deep as shown in figure B as this will cause the
cam screw to be misaligned and unable to
interlock properly.

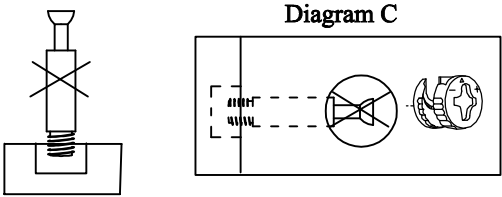
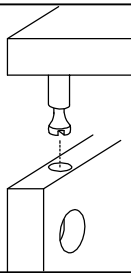
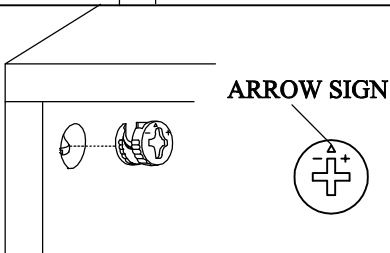


Diagram C

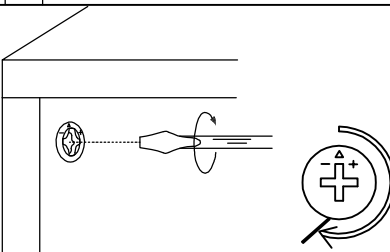
Also avoid inserting the cam screw too close to the
surface of the hole as shown in figure C, as this will
cause the cam lock to be too loose, and not interlock
properly.



2. Connect the panels together.



3. When inserting the cam lock make sure the arrow
of the cam lock faces the cam screw.



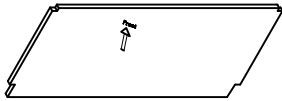
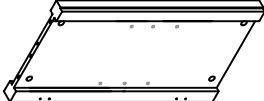

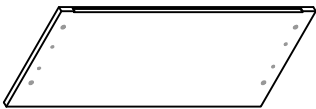

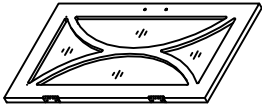
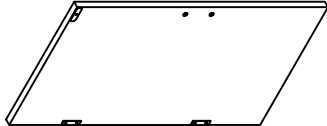
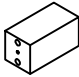
4. To tighten the cam lock turn the cam lock clockwise
90-180 degree or until the arrow is facing opposite
the place cam lock was inserted.

**NOTE: DO NOT USE AN AUTOMATIC
SCREWDRIVER TO TIGHTEN CAM LOCKS.**



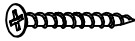



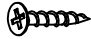

Note:

- Read these instructions carefully before assembling.
- Tools required : Phillips screwdriver, flat screwdriver.
- Find a clean, smooth area on which to work , such as a carpet, in order to avoid scratching the wood surfaces.
- Wait to dispose of the packing material until assembly is complete and all parts and hardware are accounted for.
- Two or more people might be required for assembly.

Part List

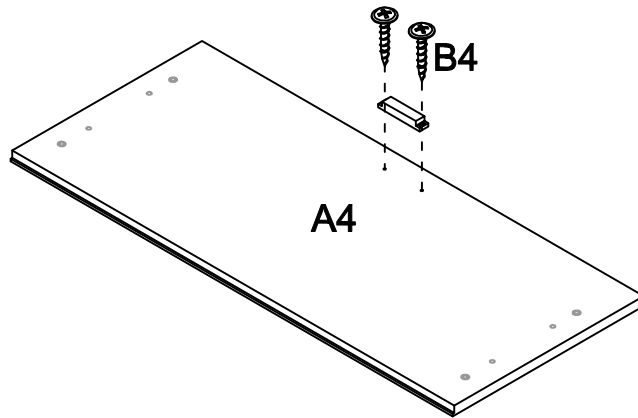
<p>A1 Quantity of 1</p>  <p>Middle Shelf</p>	<p>A2(L&R) Quantity of 2</p>  <p>Side Panel</p>	<p>A3 Quantity of 1</p>  <p>Bottom Panel</p>
<p>A4 Quantity of 1</p>  <p>Top Panel</p>	<p>A5 Quantity of 1</p>  <p>Back Panel</p>	<p>A6L Quantity of 1</p>  <p>Left Door</p>
<p>A6R Quantity of 1</p>  <p>Right Door</p>	<p>A7 Quantity of 1</p>  <p>Leg</p>	

Hardware List

<p>B1 Quantity of 8sets</p>  <p>Camlock</p>	<p>B2 Quantity of 16pcs</p>  <p>Wood Dowel</p>	<p>B3 Quantity of 4pcs</p>  <p>Screw</p>	<p>B4 Quantity of 1set</p>  <p>Magnet</p>
<p>B5 Quantity of 16pcs</p>  <p>Screw</p>	<p>B6 Quantity of 2sets</p>  <p>Handle</p>	<p>B7 Quantity of 8pcs</p>  <p>Screw</p>	<p>B8 Quantity of 4pcs</p>  <p>Shelf Support</p>

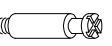

Step 1

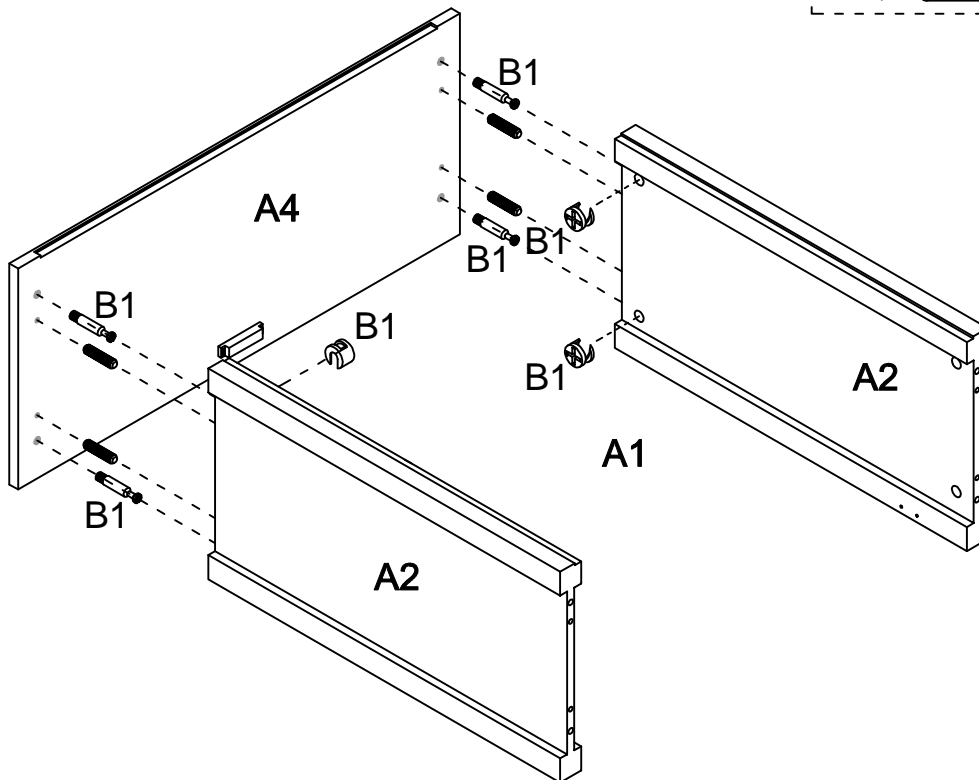
B4 :  1set



Attach the door magnet B4 onto the top panel A4 with included screw.
(There is pre-drilled holes for screws B4 on the top panel bottom).


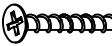
Step 2

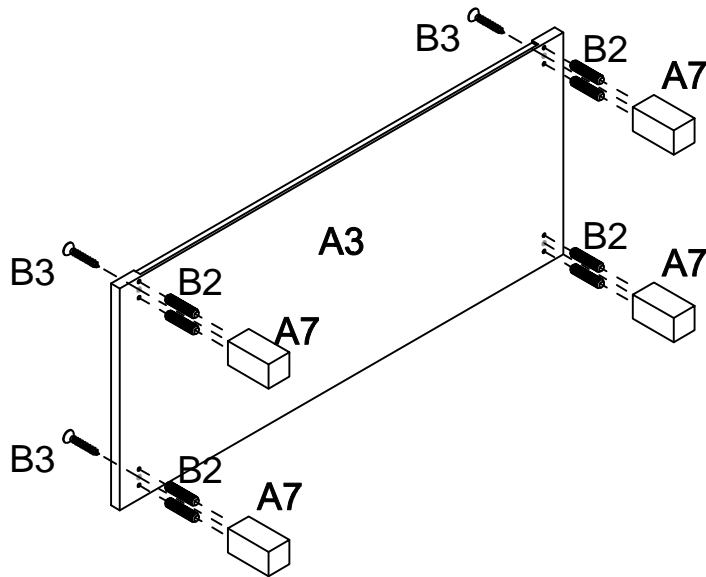
B1 :  4set
B2 :  4pcs



Assemble the top panel A4 to side panels A2 using camlocks B1 and wood dowels B2.

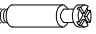

Step 3

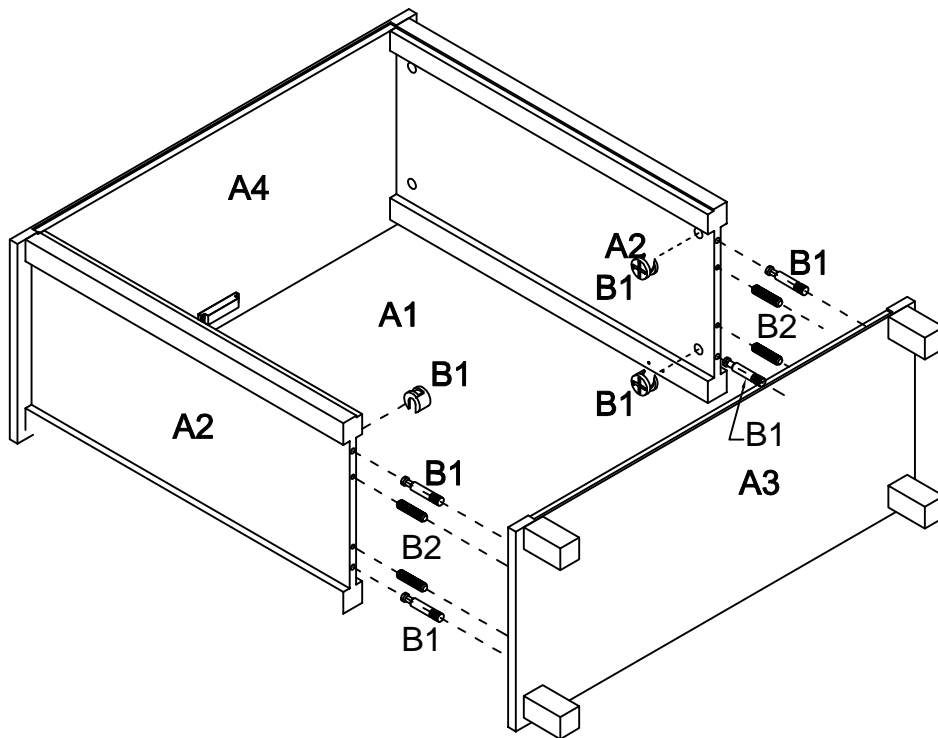
- B2 :  8pcs
- B3 :  4pcs



Assemble the legs A7 to the bottom panel A3 using wood dowels B2 and screws B3.

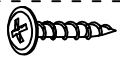
Step 4

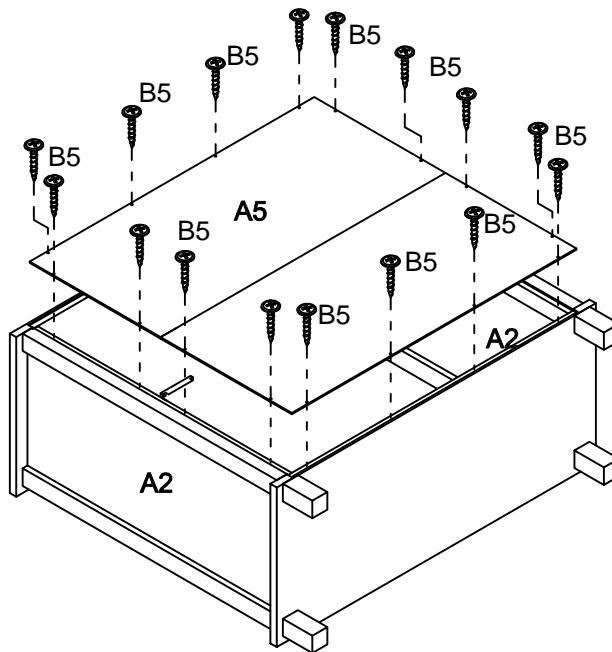
- B1 :  4set
- B2 :  4pcs



Assemble the bottom panel A3 to the side panels A2 using camlocks B1 and wood dowels B2.

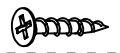
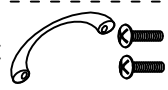

Step 5

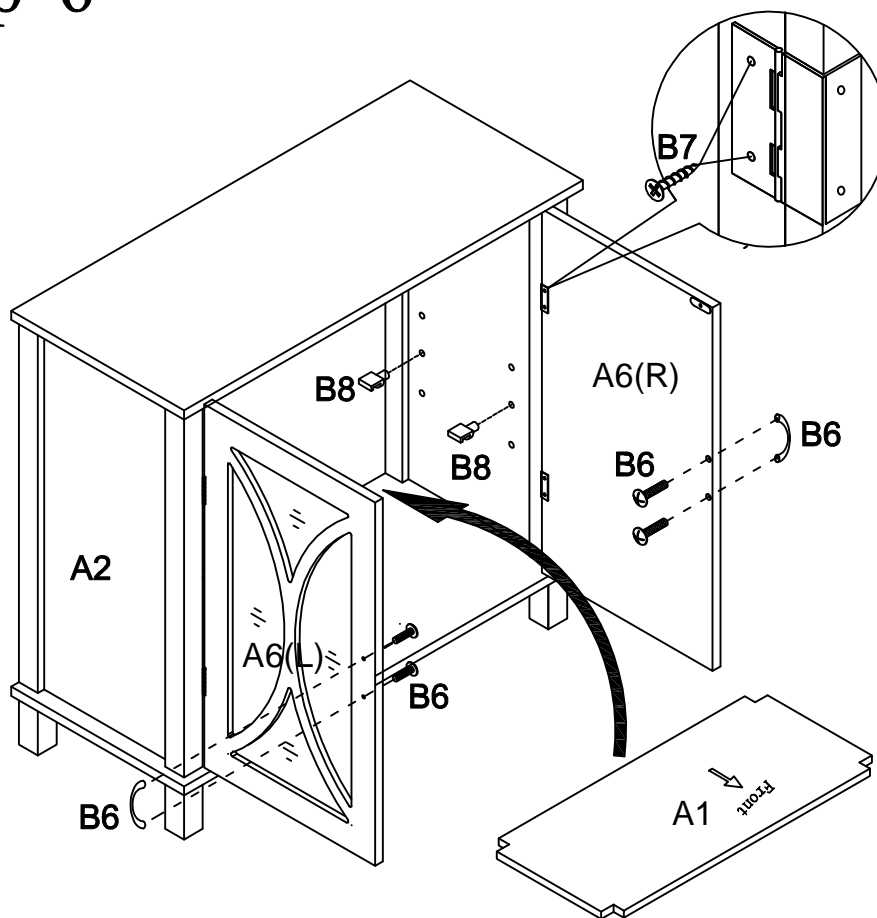
B5 :  16pcs



Line up back panels A5, then tighten them onto the back of unit with screws B5 from top to bottom.

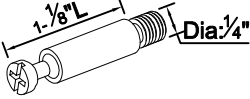

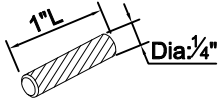
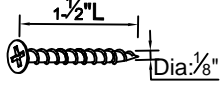
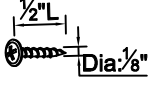

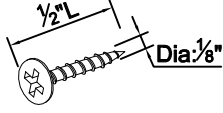
Step 6

B7 :  8pcs
B6 :  2sets
B8 :  4pcs



- 1). Assemble the doors A6(R, L) to side panel A2 using screws B7.
- 2). Assemble the handle B6 to doors A6(R, L) using included bolts.
- 3). Insert the shelf support B8 into holes on the side panels A2(L&R) ,then put the Middle shelf panel A1 onto shelf support B8.

APPENDIX: Dimension of Hardwares in this AI.

<p>B1</p> <div style="display: flex; justify-content: space-around; align-items: center;">   </div> <p>Cam-bolt Cam-Lock</p>	<p>B2</p> <div style="display: flex; justify-content: center; align-items: center;">  </div> <p>Wood Dowel</p>	<p>B3</p> <div style="display: flex; justify-content: center; align-items: center;">  </div> <p>Screw</p>	
<p>B4&5</p> <div style="display: flex; justify-content: center; align-items: center;">  </div> <p>Screw</p>	<p>B6</p> <div style="display: flex; justify-content: center; align-items: center;">  </div> <p>Screw</p>	<p>B7</p> <div style="display: flex; justify-content: center; align-items: center;">  </div>	