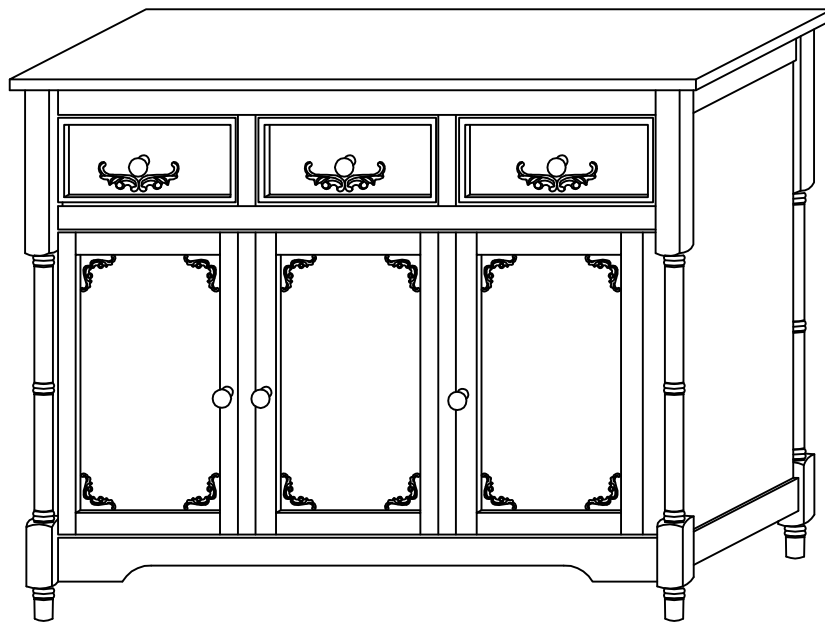


ASSEMBLY INSTRUCTIONS

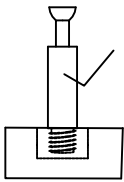
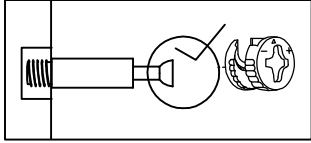
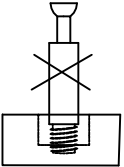
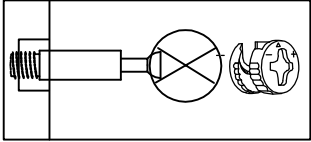
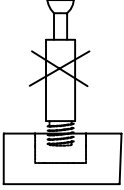
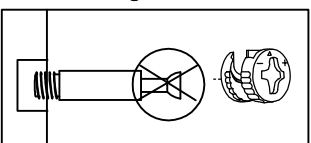
Style # R1021 & R1121 Console Table

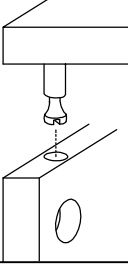
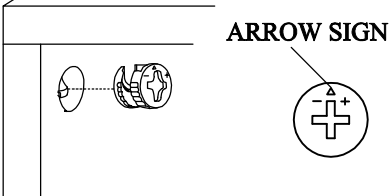
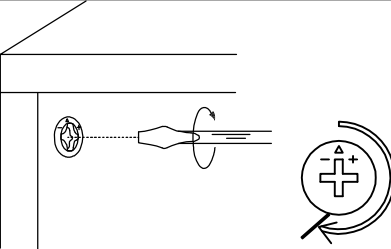


NOTE TO CUSTOMERS:

- For ease and speed of assembly we recommend that before you commence each step of the assembly that you identify all the parts required to complete that step.
- We recommend that where possible you allow sufficient space to assemble the item as close as possible to the place where it will be once assembled.
- For the protection of your furniture we recommend that the product is placed on protected surfaces during assembly to prevent any damage.
- During assembly do not over tighten, as this may damage the product.
- Please ensure you retain all the product packaging until the item completely assembled.
- Please periodically check all fittings and re-tighten as necessary.
- Never allow any liquids to remain on your furniture as absorption can cause the wood to warp or the finish to de-laminate.
- It is recommended that this item should be assembled by two adults.

To insert a cam lock: (Please read below instructions before assembling)

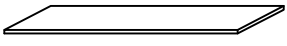

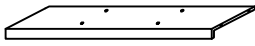
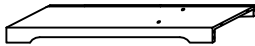
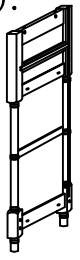

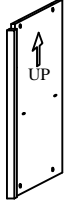
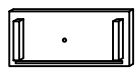
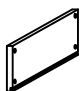

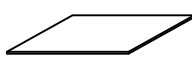
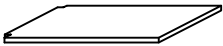
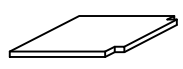
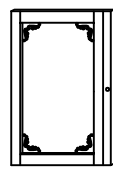
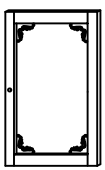
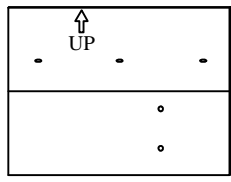
		<p>1. Insert cam screw into hole as shown in diagram A .</p>
		<p>Make sure not to insert the cam screw: Too deep as shown in figure B as this will cause the cam screw to be misaligned and unable to interlock properly.</p>
		<p>Also avoid inserting the cam screw too close to the surface of the hole as shown in figure C, as this will cause the cam lock to be too loose, and not interlock properly.</p>

	<p>2. Connect the panels together.</p>
	<p>3. When inserting the cam lock make sure the arrow of the cam lock faces the cam screw.</p>
	<p>4. To tighten the cam lock turn the cam lock clockwise 90-180 degree or until the arrow is facing opposite the place cam lock was inserted.</p> <p>NOTE: DO NOT USE AN AUTOMATIC SCREWDRIVER TO TIGHTEN CAM LOCKS.</p>

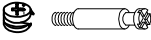


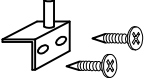
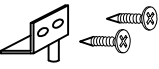
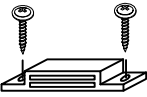

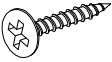



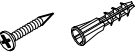
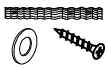
Note:

- Read these instructions carefully before assembling.
- Tools required : Phillips screwdriver, flat screwdriver.
- Find a clean, smooth area on which to work , such as a carpet, in order to avoid scratching the wood surfaces.
- Wait to dispose of the packing material until assembly is complete and all parts and hardware are accounted for.
- Two or more people might be required for assembly.

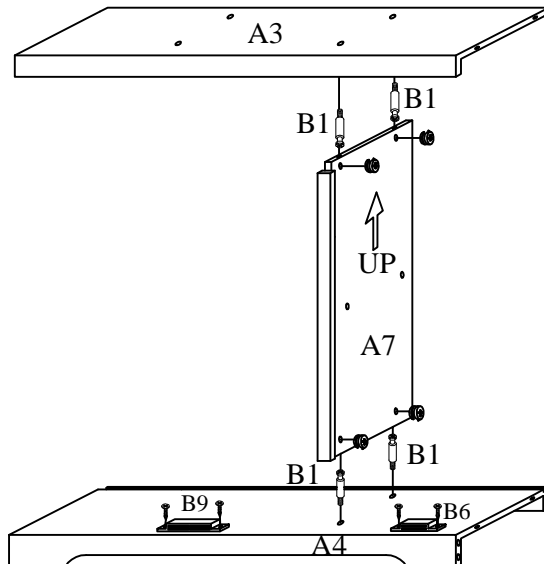
Part List

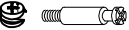
<p>A1. Quantity of 1</p>  <p>Top Panel</p>	<p>A2. Quantity of 1</p>  <p>Cross Bar</p>	<p>A3. Quantity of 1</p>  <p>Shelf</p>	<p>A4. Quantity of 1</p>  <p>Bottom Panel</p>
<p>A5 (L&R). Quantity of 2</p>  <p>Side Panel</p>	<p>A6. Quantity of 2</p>  <p>Drawer Divider</p>	<p>A7. Quantity of 1</p>  <p>Divider</p>	<p>A8. Quantity of 3</p>  <p>Drawer Front Panel</p>
<p>A9. Quantity of 6</p>  <p>Drawer Side Panel</p>	<p>A10. Quantity of 3</p>  <p>Drawer Back Panel</p>	<p>A11. Quantity of 3</p>  <p>Drawer Bottom Panel</p>	<p>A12. Quantity of 1</p>  <p>Adjustable Shelf</p>
<p>A13. Quantity of 1</p>  <p>Adjustable Shelf</p>	<p>A14. Quantity of 1</p>  <p>Door</p>	<p>A15. Quantity of 2</p>  <p>Door</p>	<p>A16. Quantity of 1</p>  <p>Back Panel</p>

Hardware List

B1  Camlock Quantity of 26	B2  Screw Quantity of 24	B3  Wood Dowel Quantity of 7	B4  Door Pivot with Screw Quantity of 3
B5  Door Pivot with Screw Quantity of 3	B6  Magnet with Screw Quantity of 1	B7  Knob with Bolt Quantity of 6	B8  Screw Quantity of 4
B9  Magnet with Screw Quantity of 1	B10  Screw Quantity of 5	B11  Shelf Support Quantity of 4	B12  Anchor with screw Quantity of 1
B13  Anti-tip Kit Quantity of 1			

Step 1




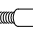
B1 :  4sets


B6 :  1set

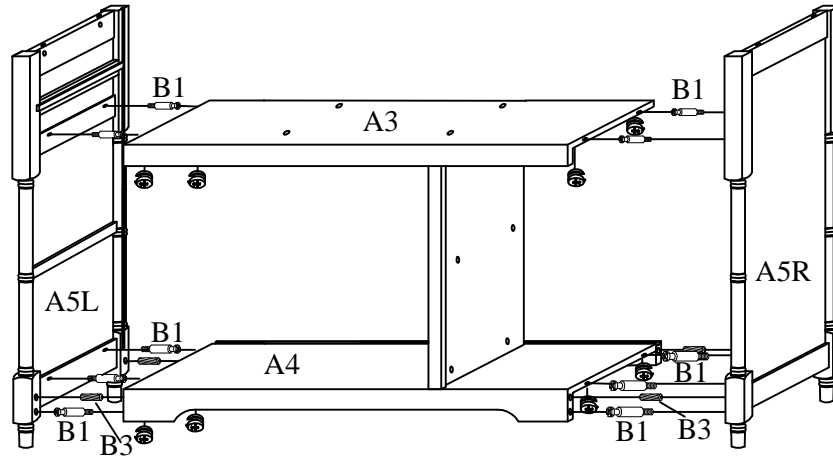
B9 :  1set

- 1). Assemble Magnet B6 & B9 to Bottom Panel A4 using included screws.
- 2). Assemble Divider A7 to Shelf A3 and Bottom Panel A4 using Camlocks B1.

Step 2



B1 :   10sets

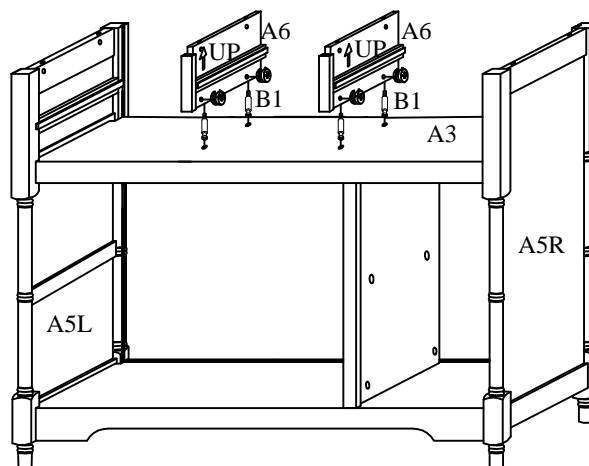
B3 :  4pcs



Assemble Side Panels A5(L&R) to Shelf A3 and Bottom Panel A4 using Camlocks B1 and Wood Dowels B3.

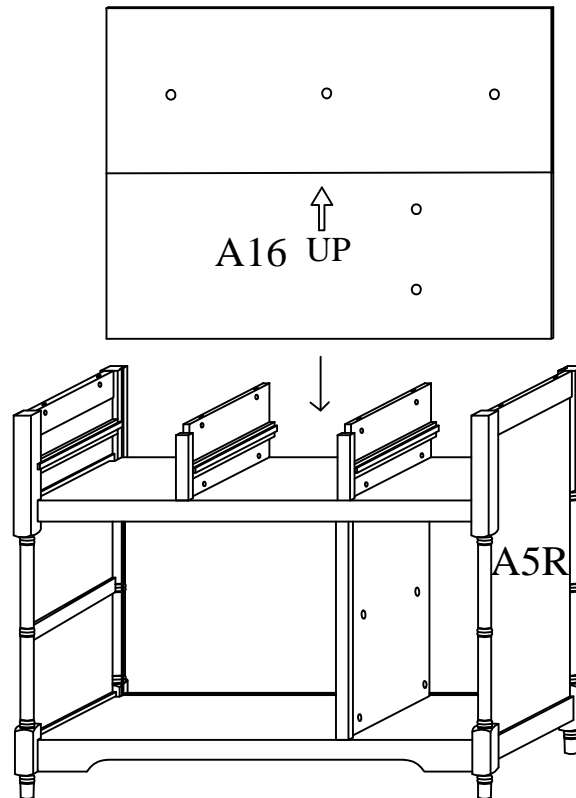
Step 3

B1 :   4sets



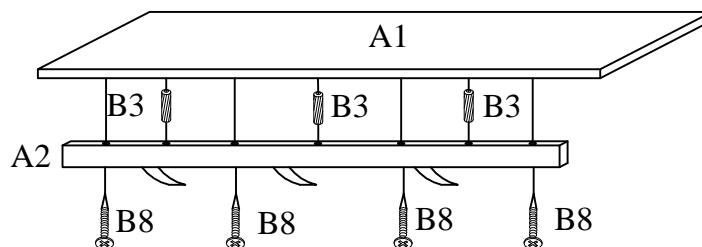
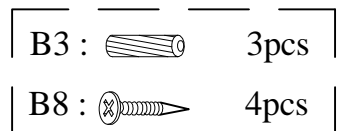
Assemble Drawer Dividers A6 to Shelf A3 using Camlocks B1.

Step 4



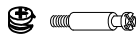
Insert Back Panel A16 into the grooves of Side Panels A5(L&R) and Bottom Panel A4.

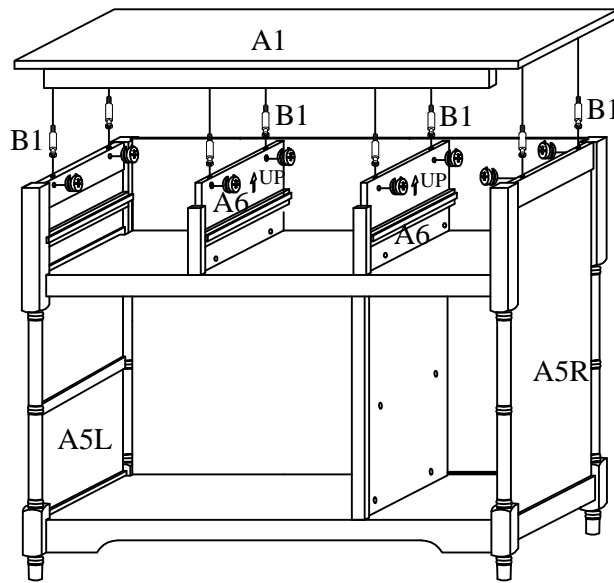
Step 5



Assemble Cross Bar A2 to Top Panel A1 using Wood Dowels B3 and Screws B8.

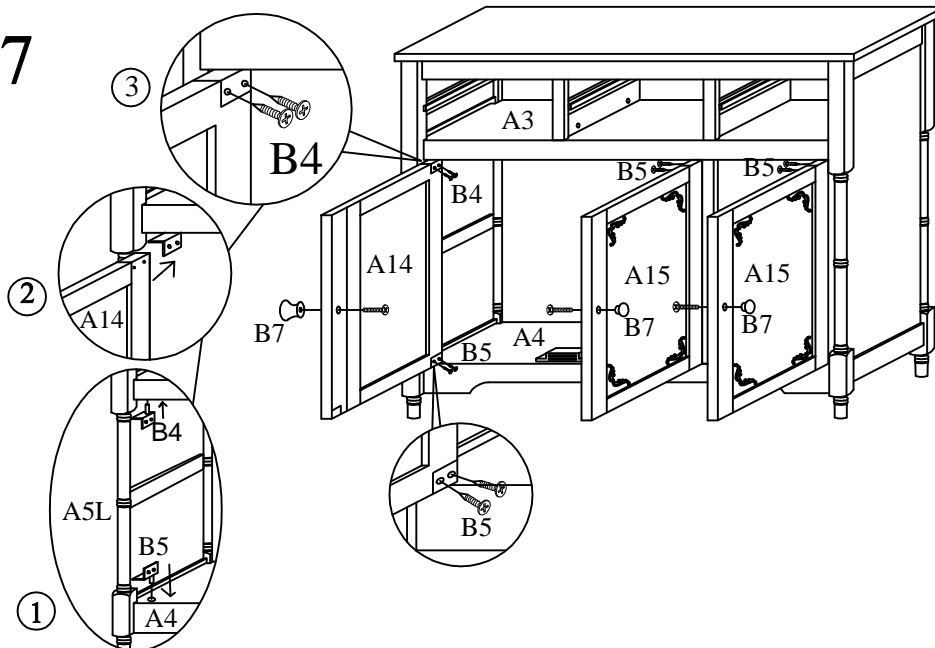
Step 6



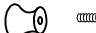
B1 :  8sets



Assemble Top Panel A1 to Side Panels A5(L&R) and Drawer Dividers A6 using Camlocks B1.

Step 7

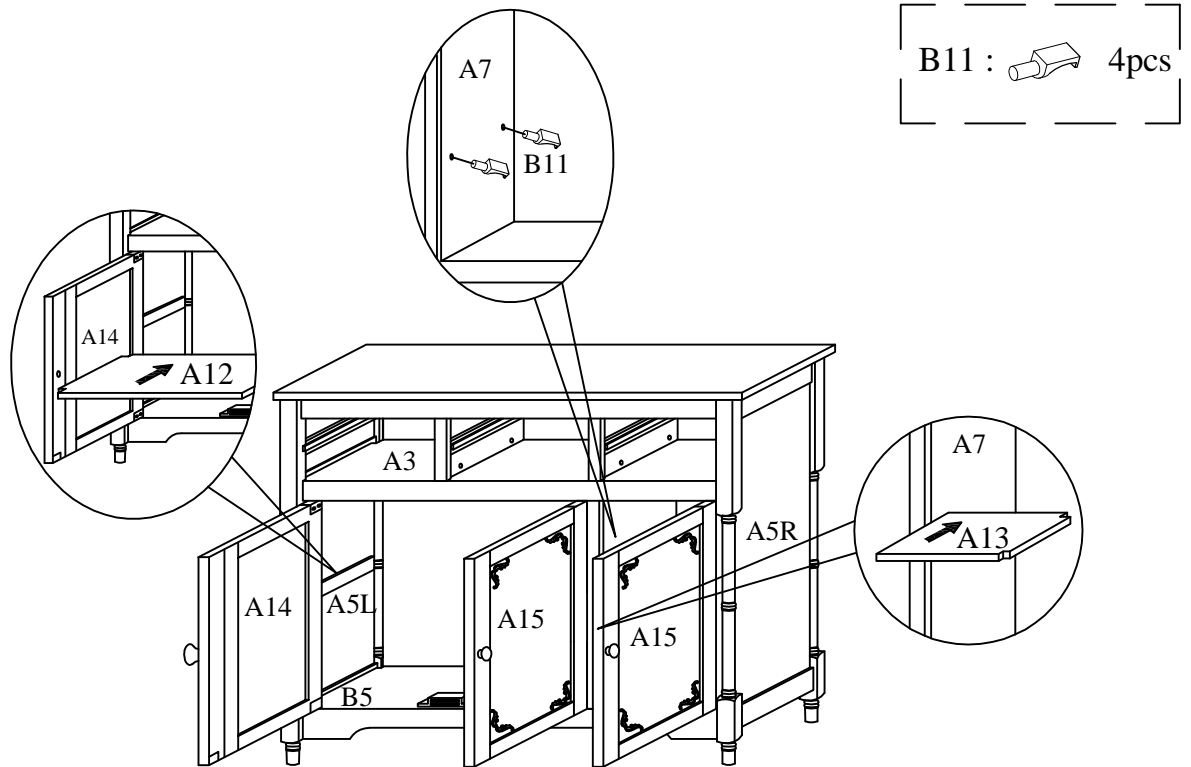


B4 :  3sets
 B5 :  3sets
 B7 :  3sets

1. Insert Door Pivot B4 into the hole on Shelf A3.
2. Insert Door Pivot B5 into the hole on Bottom Panel A4.
3. Put Door A14 onto Door Pivots B4&B5 as shown above.
4. Hold Door A14 in a correct position and fix the pivot to the door one by one using included screws.
5. Repeat above steps to assemble other two doors A15.
6. Assemble Knobs B7 to Doors A14&A15 using included bolts.

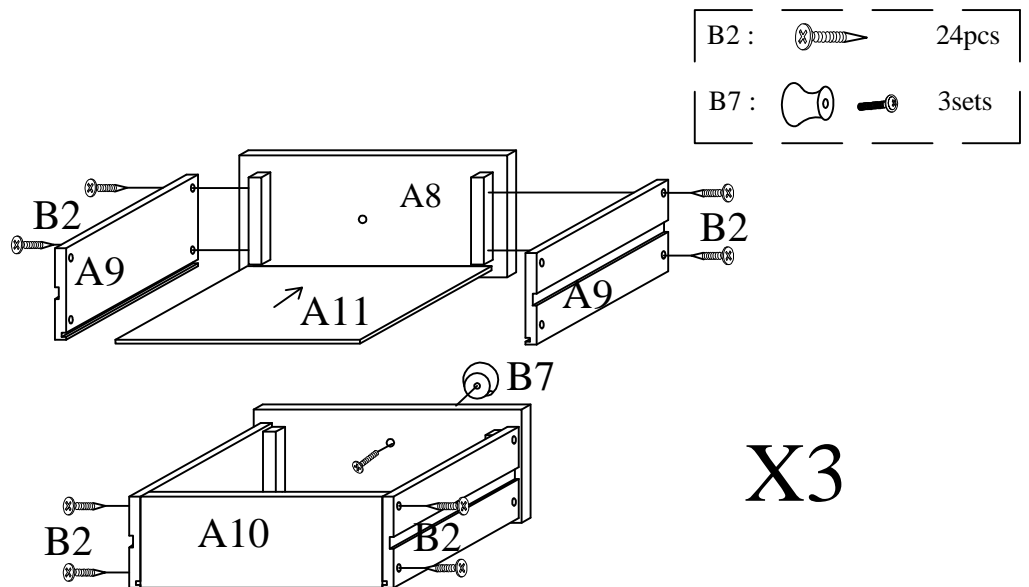
Note: You could re-regulate the hinges B4 & B5 with screws if you want to adjust the door gap.

Step 8



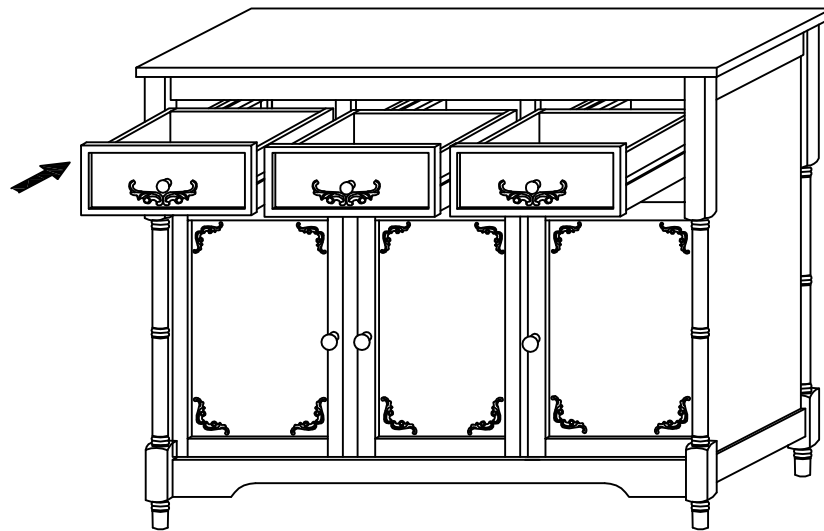
- 1). Insert Shelf Supports B11 to the holes on Dividers A7.
- 2). Put Adjustable Shelf A12&A13 onto Shelf Support B11.

Step 9



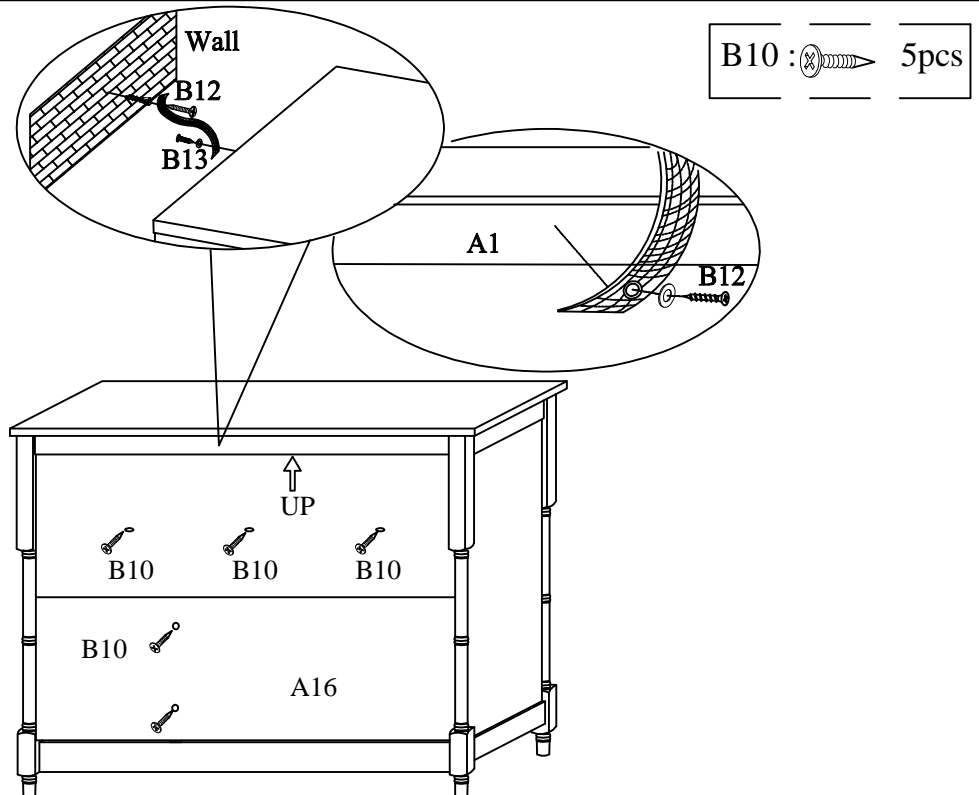
- 1). Insert Bottom Panel A11 into the grooves on Drawer Front Panel A8.
- 2). Attach Drawer Side Panels A9 to Bottom Panel A11, then assemble Drawer Side Panels A9 to Drawer Front Panel A8 using Srscrew B2.
- 3). Assemble Drawer Back Panel A10 to Drawer Side Panels A9 using Screws B2.
- 4). Assemble Knob B7 to Drawer Front Panel A8.

Step 10



Put the drawers into the console buffet.

Step 11



- 1). Tighten Back Panel A16 to Shelf A3 and Divider A7 using Screws B10.
- 2). For your safety, please attached this table to the wall using Anchor with screw B12 and Anti-tip Kit B13.

APPENDIX: Dimension of Hardwares in this AI.

<p>B1</p>	<p>B2</p>	<p>B3</p>
<p>B4&B5</p>	<p>B6&B9</p>	<p>B7</p>
<p>B8</p>	<p>B10</p>	<p>B12</p>
<p>B12</p>		