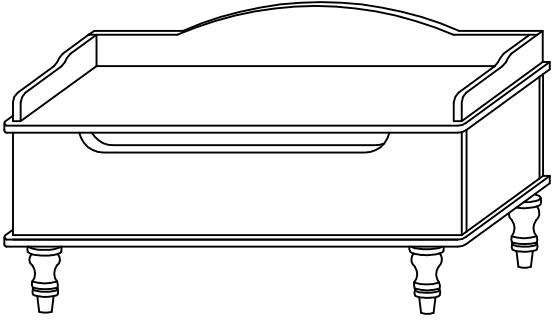
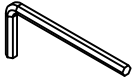
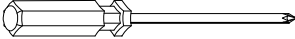
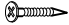
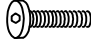

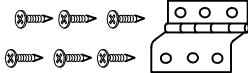

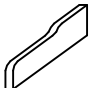

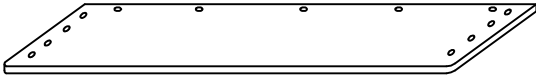

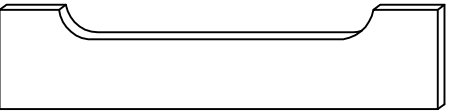
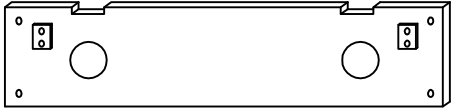
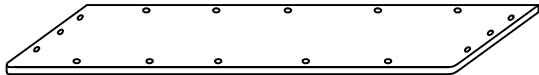



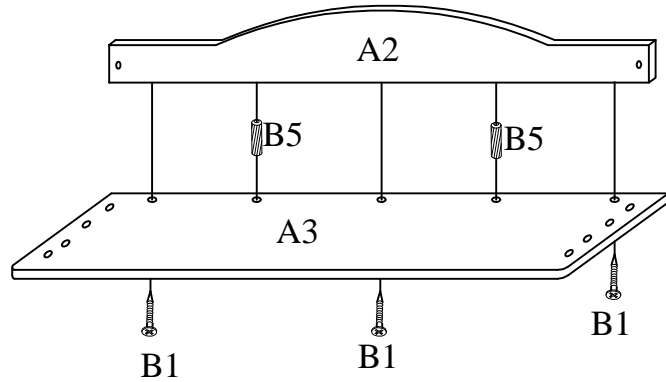
Assembly Instructions	Tools Required	Hardware Provided
<p style="text-align: center;">Style # R1018 Storage Bench</p>  <p style="text-align: center;">It is recommended that this item should be assembled by two adults.</p>	 <p style="text-align: center;">Allen key (Provided)</p>  <p style="text-align: center;">Phillips screwdriver</p> <p style="text-align: center;">Care Instruction: Wipe with a soft, damp and clean cloth</p>	 B1 19PCS-Screws  B2 8PCS-Bolts  B3 2SETS-Hinges and screws  B4 2SETS-Hinges and screws  B5 12PCS-wood dowels

Furniture Parts

			
<p>A1 2PCS-Top side apron</p>	<p>A2 1PC-Top back apron</p>	<p>A3 1PC-Top Panel</p>	<p>A4 2PCS-Side panel</p>
			
<p>A5 1PC-Front panel</p>	<p>A6 1PC-Back Panel</p>	<p>A7 1PC-Bottom Apron</p>	<p>A8 4PCS-Feet</p>

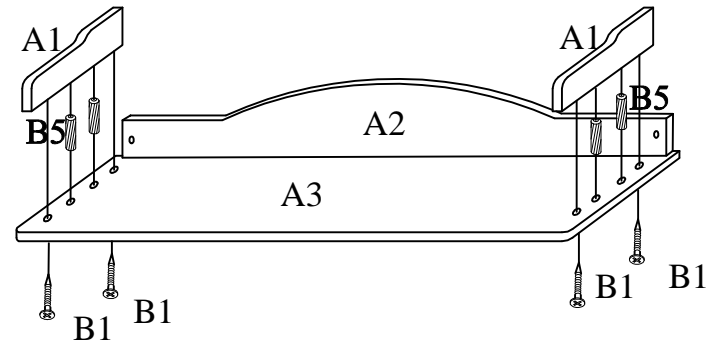
Step 1

Assemble the top back apron A2 to the top panel A3 using screws B1 and wood dowels B5.



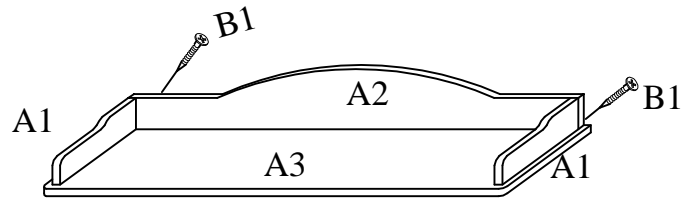
Step 2

Assemble the top side aprons A1 to the top panel A3 using screws B1 and wood dowels B5.



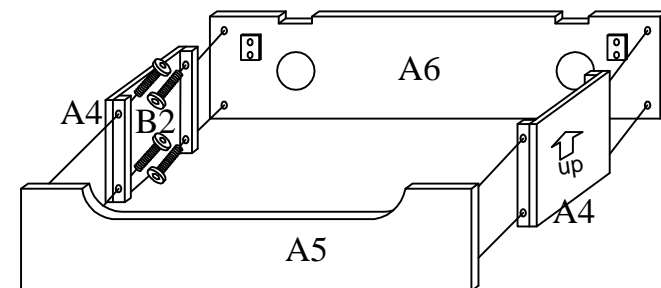
Step 3

Tighten the top side aprons A1 to the top back apron A2 using screws B1 from the back.



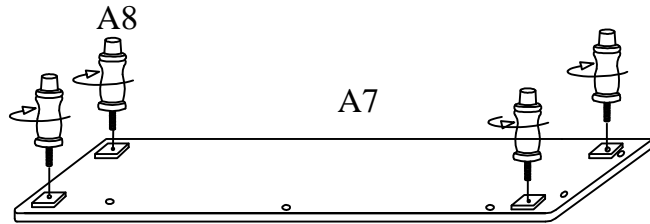
Step 4

Assemble the back panel A6 and front panel A5 to the side panels A4 using bolts B2.



Step 5

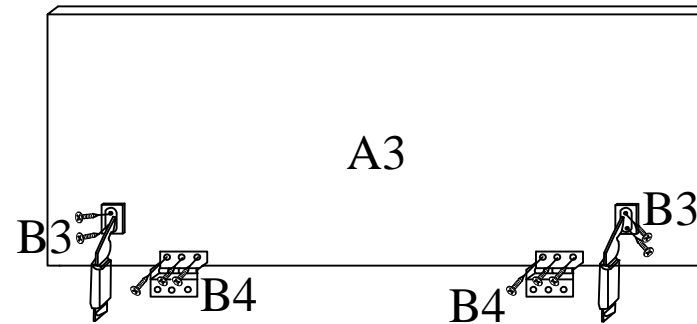
Screw the feet A8 to the bottom panel A7 . Please do not over-tighten the feet.



Step 7

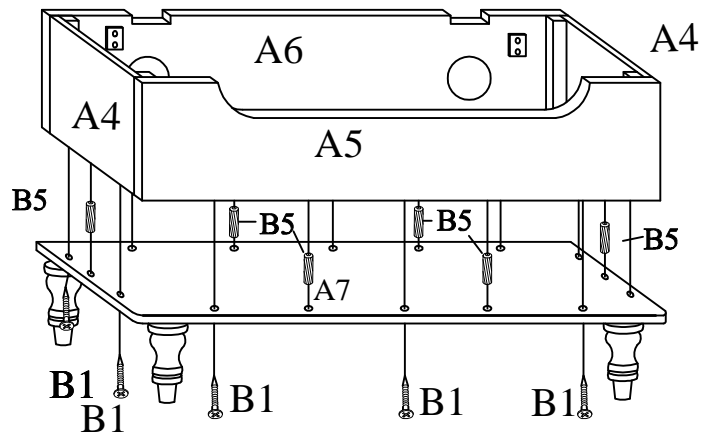
Assemble the hinges B4 onto the bottom side of Top Panel A3 with screws as following picture shown.

Assemble the safety hinges B3 onto bottom side of Top Panel A3 with screws included as following picture shown.

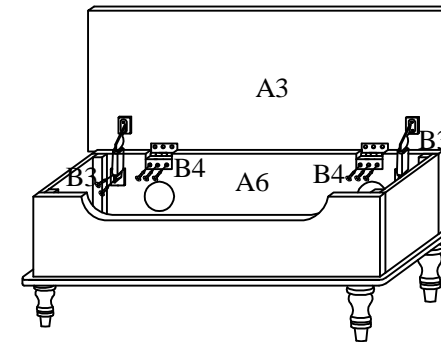


Step 6

Assemble the bottom panel A7 to the back panel A6, front panel A5 and side panels A4 using wood dowels B5 and screws B1.



Step 8



Place the top panel A3 onto the storage unit. Hold it opening straight and then attach the hinges B4 to the back panel A6 with screws included.

Hold the top panel opening 75 degrees and attach the safety hinges B3 to the back panel A6 with screws included.

Strongly recommended one more person to hold on the A3 top panel when another person screw the hinges B4 & B3 to the back panel A6.