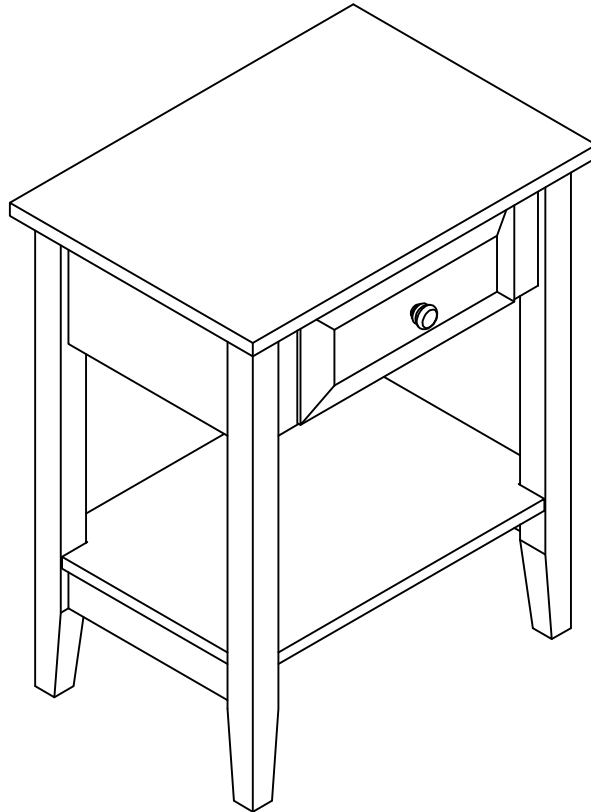


ASSEMBLY INSTRUCTIONS

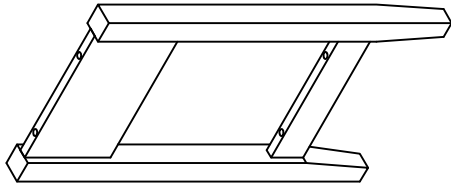
Style # R1013 Accent Table



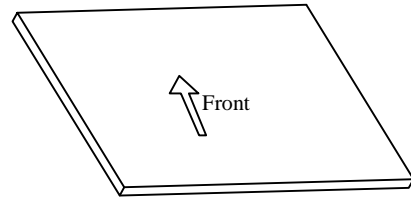
NOTE TO CUSTOMERS:

- For ease and speed of assembly we recommend that before you commence each step of the assembly that you identify all the parts required to complete that step.
- We recommend that where possible you allow sufficient space to assemble the item as close as possible to the place where it will be once assembled.
- For the protection of your furniture we recommend that the product is placed on protected surfaces during assembly to prevent any damage.
- During assembly do not over tighten, as this may damage the product.
- Please ensure you retain all the product packaging until the item completely assembled.
- Please periodically check all fittings and re-tighten as necessary.
- Please never allow any liquids to remain on your furniture as absorption can cause the wood to warp or finish to de-laminate.
- It is recommended that this item should be assembled by two adults.

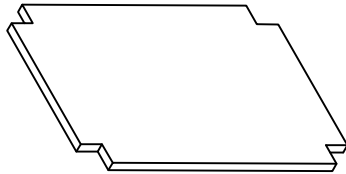
Part list :



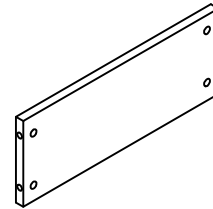
A1:Side Panel 2PCS



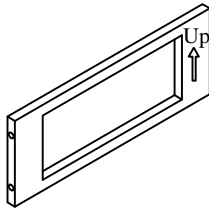
A2:Top Panel 1PC



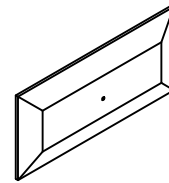
A3:Bottom Panel 1PC



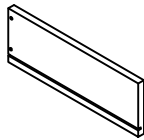
A4:Back Panel 1PC



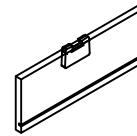
A5:Front Frame 1PC



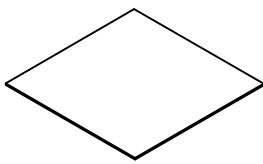
A6:Drawer Front Panel 1PC



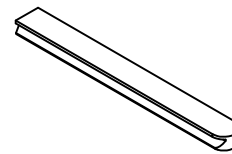
A7:Drawer Side Panel 2PCS



A8:Drawer Back Panel 1PCS

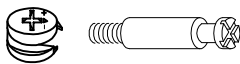


A9:Drawer Bottom Panel 1PCS

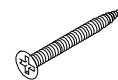


A10:Wood Glide 1PCS

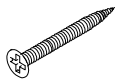
Hardware list :



B1. Camlock Qty: 16



B2. Screw Qty:8



B3. Screw Qty:2



B4. Knob and Bolt Qty:1

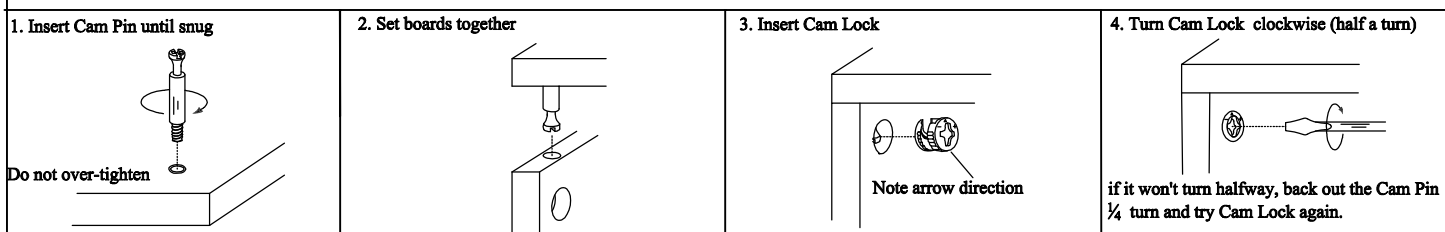
Note:

- Read these instructions carefully before assembling.
- Tools required : Phillips screwdriver.
- Find a clean, smooth area on which to work , such as a carpet, in order to avoid scratching the wood surfaces.
- Wait to dispose of the packing material until assembly is complete and all parts and hardware are accounted for.
- Two or more people might be required for assembly.

To use Dowels:

1. Add glue (about $\frac{1}{4}$ full) in the hole(s) of each board to be joined.
2. Insert the Dowel(s) and join boards.
3. Wipe excess glue with a damp paper towel.

To use Cam Locks:

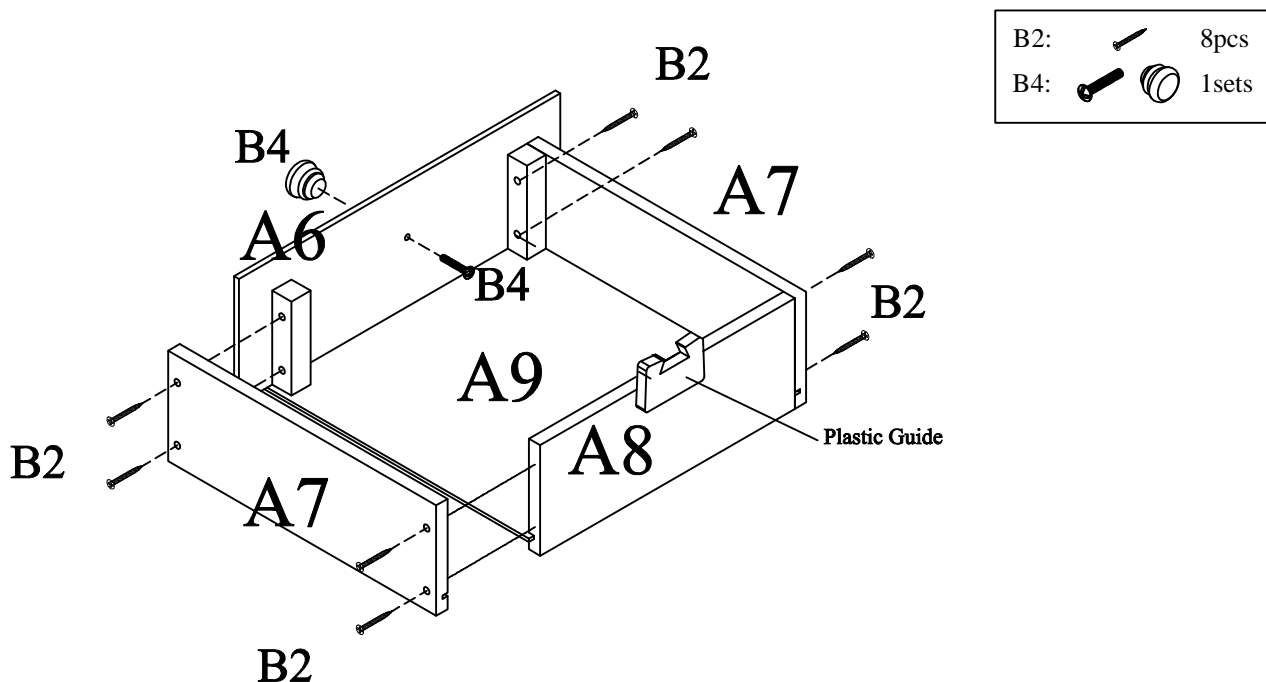


Step 1: Attach Knob B4 to Drawer Front Panel A6 using included Bolt.

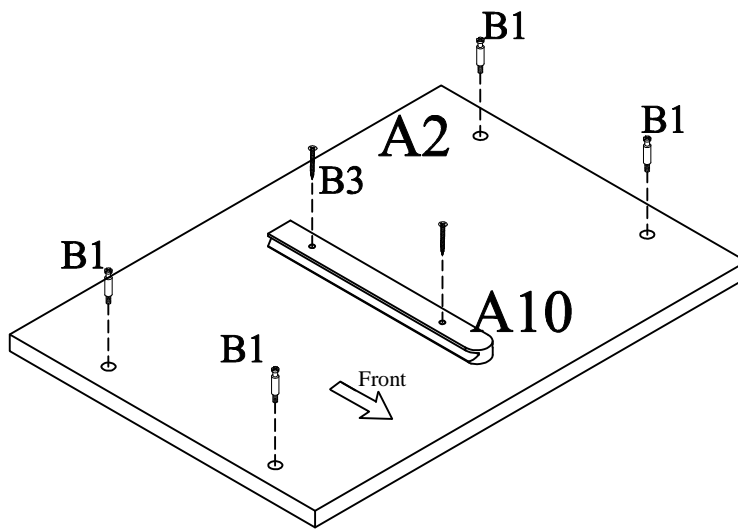
Step 2: Assemble Drawer Side Panel A7 to Drawer Front Panel A6 and Drawer Back Panel A8 using Screws B2 .



Step 3: Insert Drawer Bottom Panel A9 into the grooves on Drawer Back Panel A8,Drawer Side Panel A7 and Drawer Front Panel A6 .

Step 4: Assemble the other Side Panel A7 to Drawer Front Panel A6 and Drawer Back Panel A8 using Screws B2.

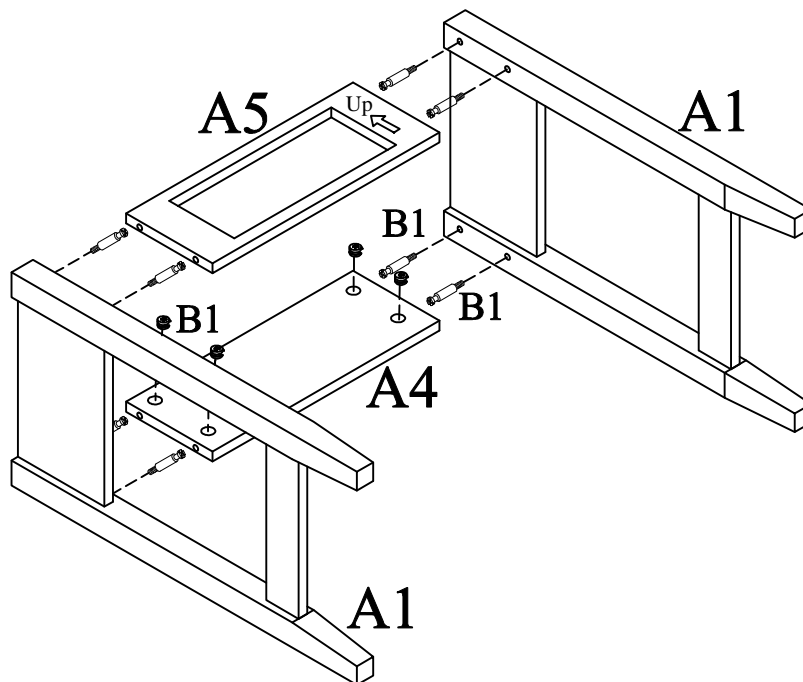



Step 5: Assemble Wood Glide A10 to the center of Top Panel A2 using Screws B3, and attach Cam Bolts B1 into Top Panel A2.



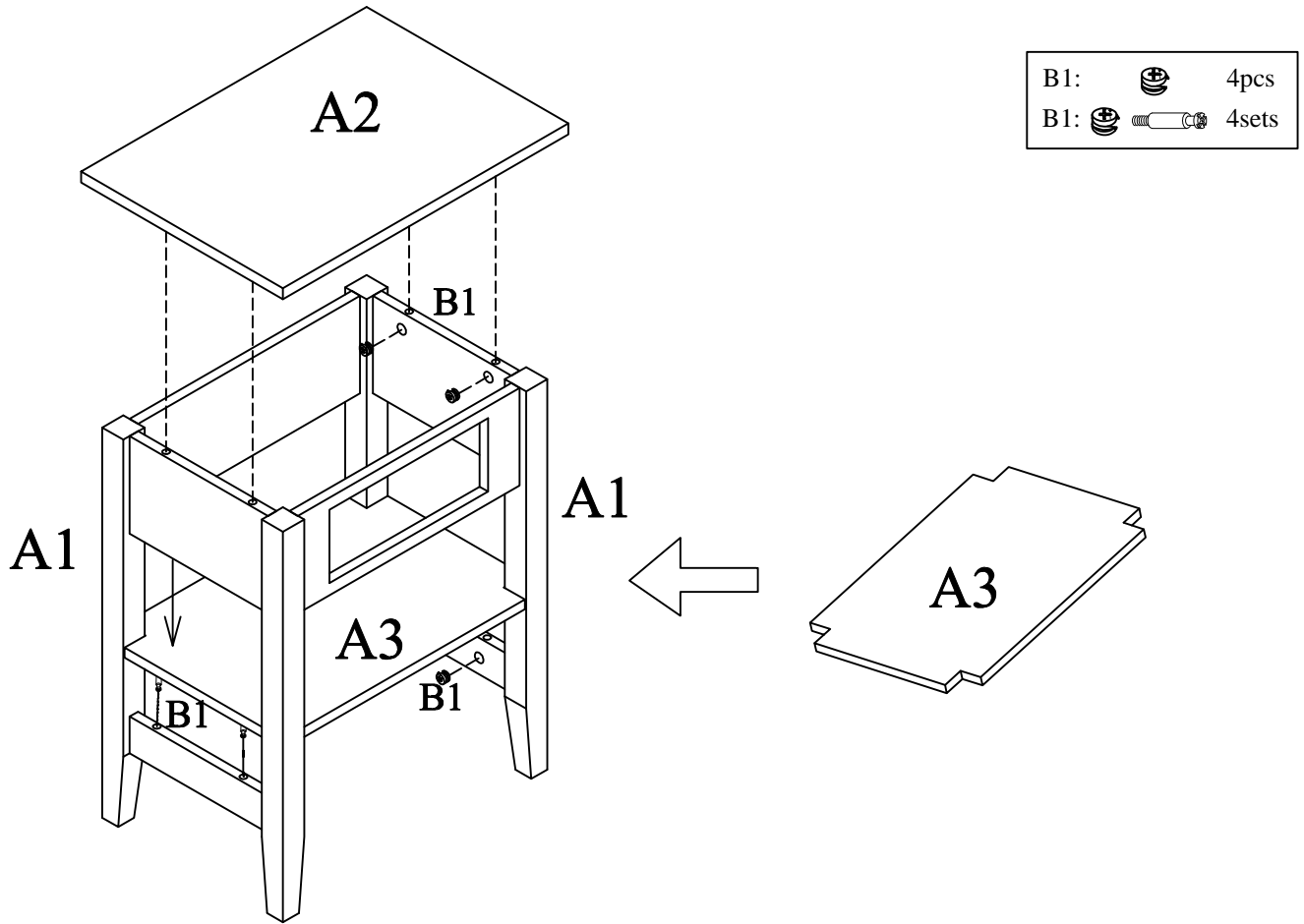
B3:		2pcs
B1:		4pcs

Step 6: Assemble Front Frame A5 and Back Panel A4 to Side Panels A1 using Camlocks B1.



B1:		8sets
-----	---	-------

Step 7: Attach Top Panel A2 to Side Panels A1 by inserting Cam bolts B1, then tighten Cam nuts B1.
Step 8: Attach Bottom Panel A3 to the center of Side Panels A1 and tighten the Camlocks B1.



Step 9: Insert the drawer into this unit.

Note: Please make sure to slightly incline the drawer so that the plastic guide should catch the wood glide.

