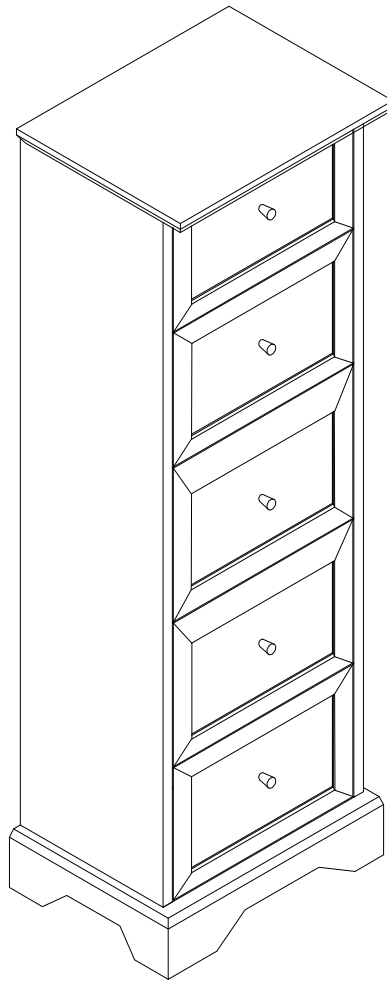


Assembly Instructions

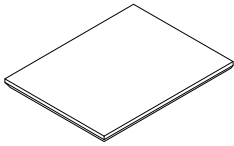
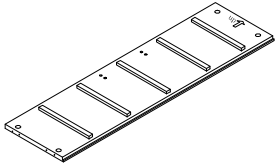
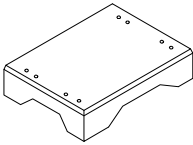
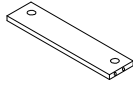
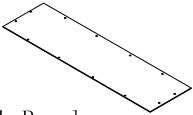
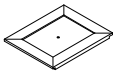
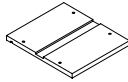
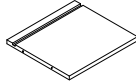
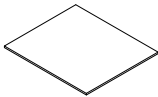
Style # R0445 Accent Cabinet



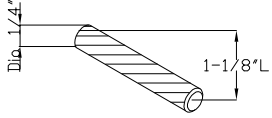
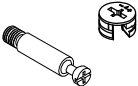
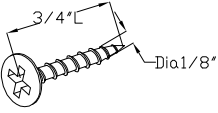
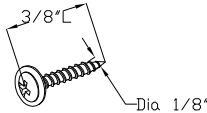
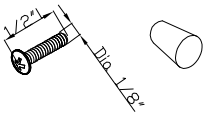


NOTE TO CUSTOMERS:

- For ease and speed of assembly we recommend that before you commence each step of the assembly that you identify all the parts required to complete that step.
- We recommend that where possible you allow sufficient space to assemble the item as close as possible to the place where it will be once assembled.
- For the protection of your furniture we recommend that the product is placed on protected surfaces during assembly to prevent any damage.
- During assembly do not over tighten ,as this may damage the product.
- Please ensure you retain all the product packaging until the item completely assembled.
- Please periodically check all fittings and re-tighten as necessary.
- Never allow any liquids to remain on your furniture as absorption can cause the wood to warp or the finish to de-laminate.
- It is recommended that this item should be assembled by two adults.

Part List

<p>A1 Quantity of 1</p>  <p>Top Panel</p>	<p>A2 Quantity of 2</p>  <p>Side Panel (L&R)</p>	<p>A3 Quantity of 1</p>  <p>Bottom Frame</p>	<p>A4 Quantity of 2</p>  <p>Divider</p>
<p>A5 Quantity of 1</p>  <p>Back Panel</p>	<p>A6 Quantity of 5</p>  <p>Drawer Front Panel</p>	<p>A7 Quantity of 10</p>  <p>Drawer Side Panel</p>	<p>A8 Quantity of 5</p>  <p>Drawer Back Panel</p>
<p>A9 Quantity of 5</p>  <p>Drawer Bottom Panel</p>			

Hardware List

<p>B1 Quantity of 12</p>  <p>Wood Dowel</p>	<p>B2 Quantity of 12</p>  <p>Cam-Lock</p>	<p>B3 Quantity of 40</p>  <p>Screw</p>	<p>B4 Quantity of 12</p>  <p>Screw</p>
<p>B5 Quantity of 5</p>  <p>Door Knob With Bolt</p>	<p>B6 Quantity of 1</p>  <p>Anchor with screw</p>	<p>B7 Quantity of 1</p>  <p>Anti-tip Kit</p>	

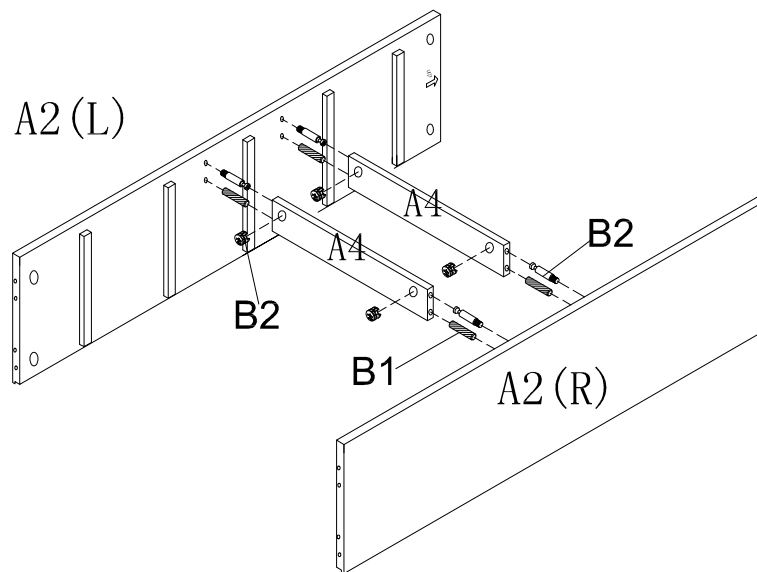
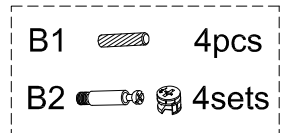
⚠ WARNING:

Serious or fatal crushing injuries can occur from furniture tip-over.
To help prevent tip-over:

- Place heaviest item in the lowest drawers.
- Unless specifically designed to accommodate, do not set TVs or other heavy objects on top of this product.
- Never allow children to climb or hang on drawers, doors or shelves.
- Never open more than one drawer at a time. (OR)
- Do not defeat or remove the drawer interlock system.

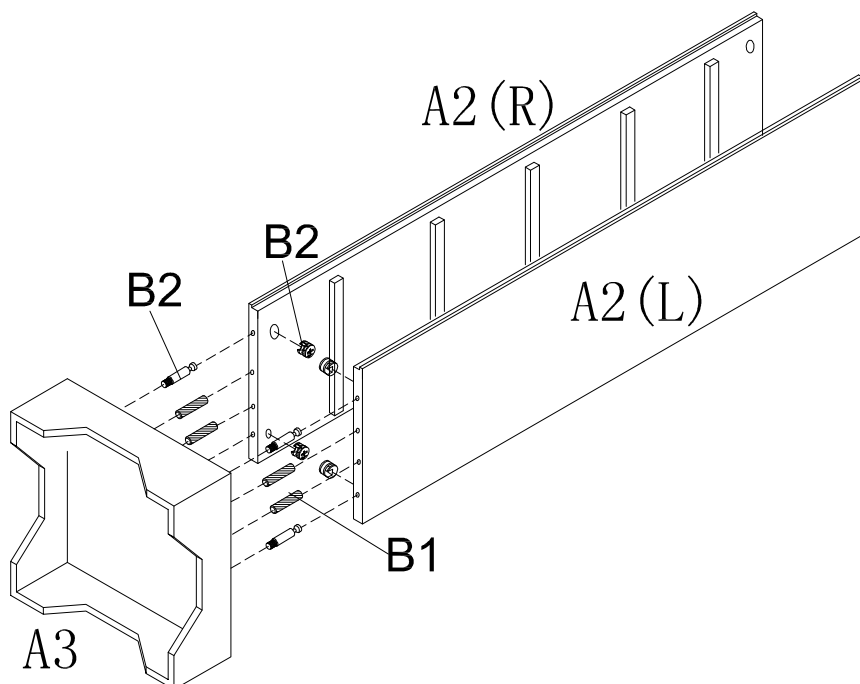
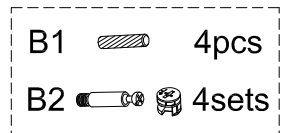
Use of tip-over restraints may only reduce, but not eliminate the risk of tip-over.

Step 1



Assemble Side Panels A2(L&R) to Dividers A4 using Wood Dowels B1 and Cam-Locks B2.

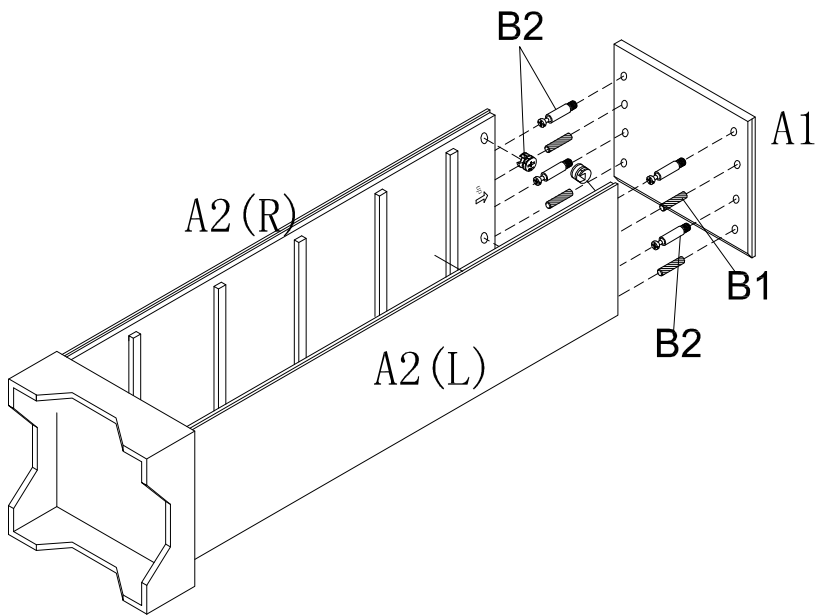
Step 2



Assemble Side Panels A2(L&R) to Bottom Frame A3 using Wood Dowels B1 and Cam-Locks B2.

Step 3

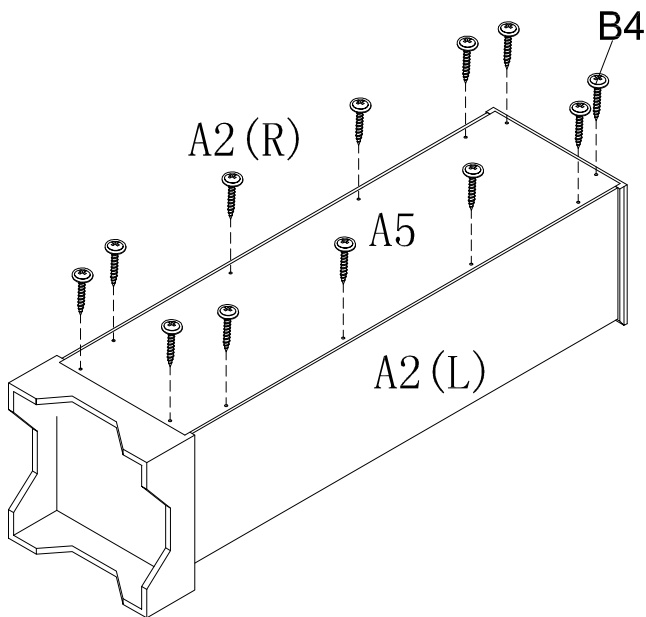
- B1  4pcs
- B2  4sets



Attach Top Panel A1 to Side Panels A2(L&R) using Wood Dowels B1 and Cam-Locks B2.

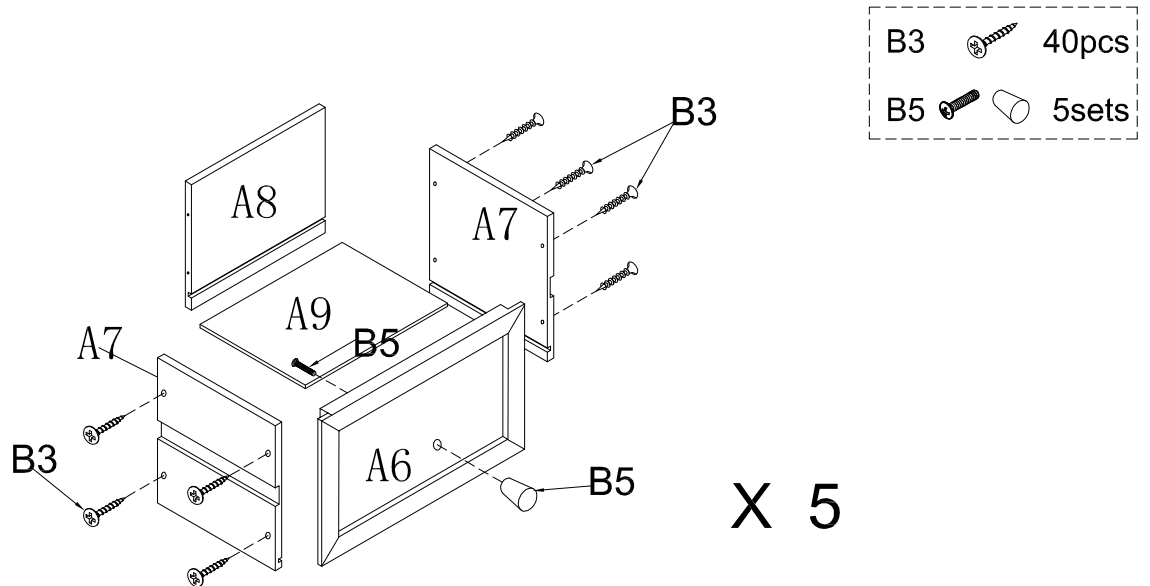
Step 4

- B4  12pcs



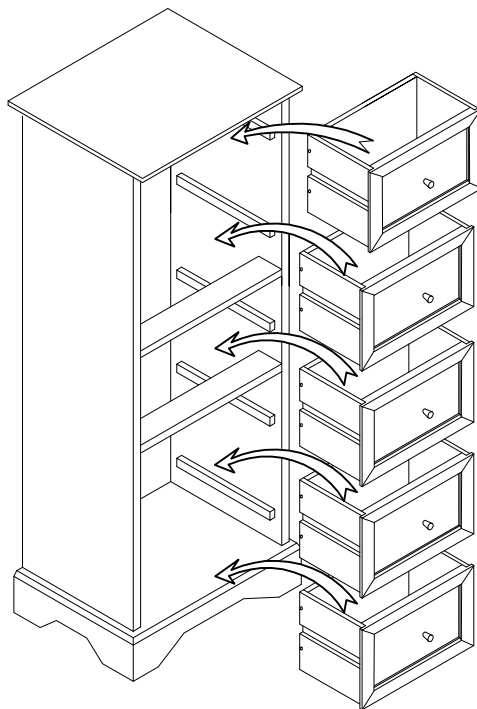
Attach Back Panel A5 to the back of the unit using Screws B4.

Step 5



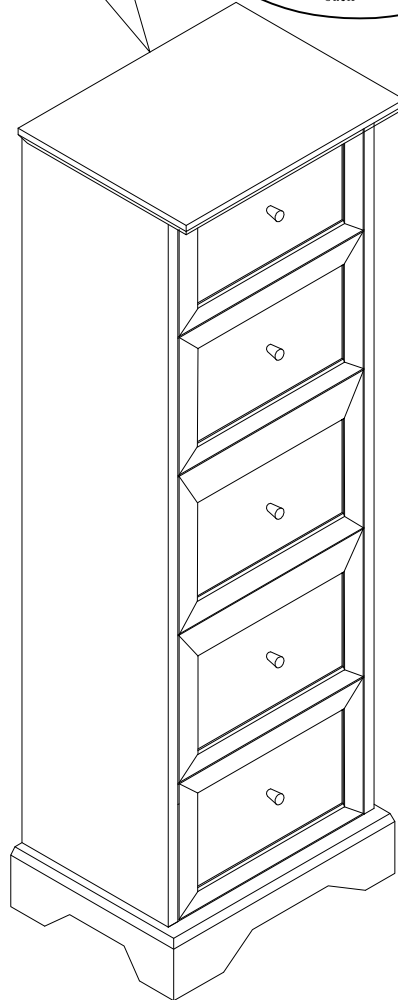
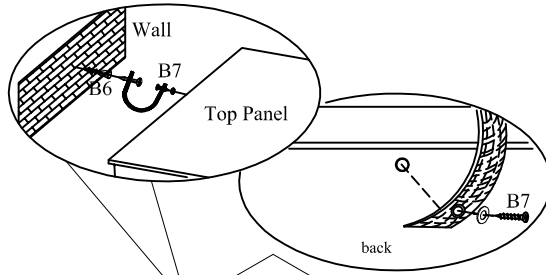
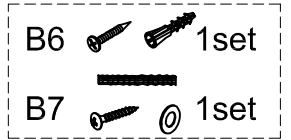
- 1). Assemble Drawer Side Panels A7 to Drawer Back Panel A8 using Screws B3.
- 2). Insert Drawer Bottom Panel A9 into the grooves on the Drawer Side Panels A7 and Drawer Back Panel A8.
- 3). Attach Handle B5 to Drawer Front Panel A6 using included bolt. Then attach Drawer Front Panel A6 to Drawer Side Panels A7 using Screws B3.

Step 6



Insert Drawers into the cabinet.

Step 7



For your safety, please attach this unit to the wall by Anchor with screw B6 and Anti-tip Kit B7.