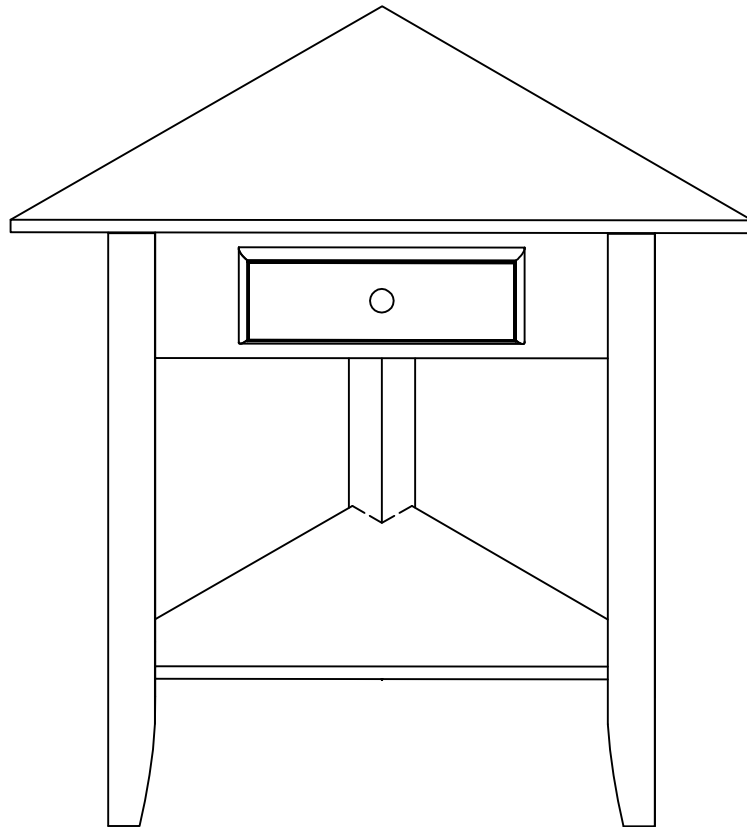


ASSEMBLY INSTRUCTIONS

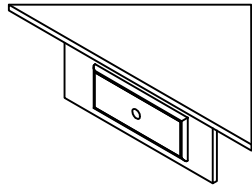
Style # PS25 Plant Stand



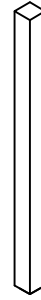
NOTE TO CUSTOMERS:

- For ease and speed of assembly we recommend that before you commence each step of the assembly that you identify all the parts required to complete that step.
- We recommend that where possible you allow sufficient space to assemble the item as close as possible to the place where it will be once assembled.
- For the protection of your furniture we recommend that the product is placed on protected surfaces during assembly to prevent any damage.
- During assembly do not over tighten, as this may damage the product.
- Please ensure you retain all the product packaging until the item completely assembled.
- Please periodically check all fittings and re-tighten as necessary.
- Please never allow any liquids to remain on your furniture as absorption can cause the wood to warp or finish to de-laminate.
- It is recommended that this item should be assembled by two adults.

Wooden Parts:



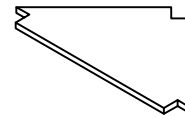
A1: Top Panel with Drawer 1PC



A2: Back Leg 1PC

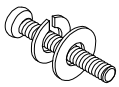


A3(L/R): Front Leg 2PCS

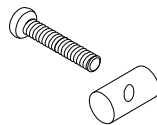


A4: Bottom Panel 1PC

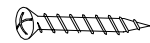
Hardware List:



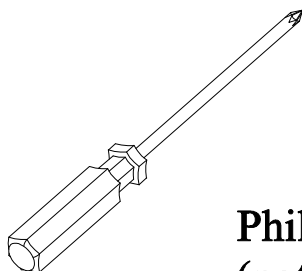
B1 Bolt with Washer
2sets



B2 Bolts with Nut
4sets



B3 Screw
3pcs

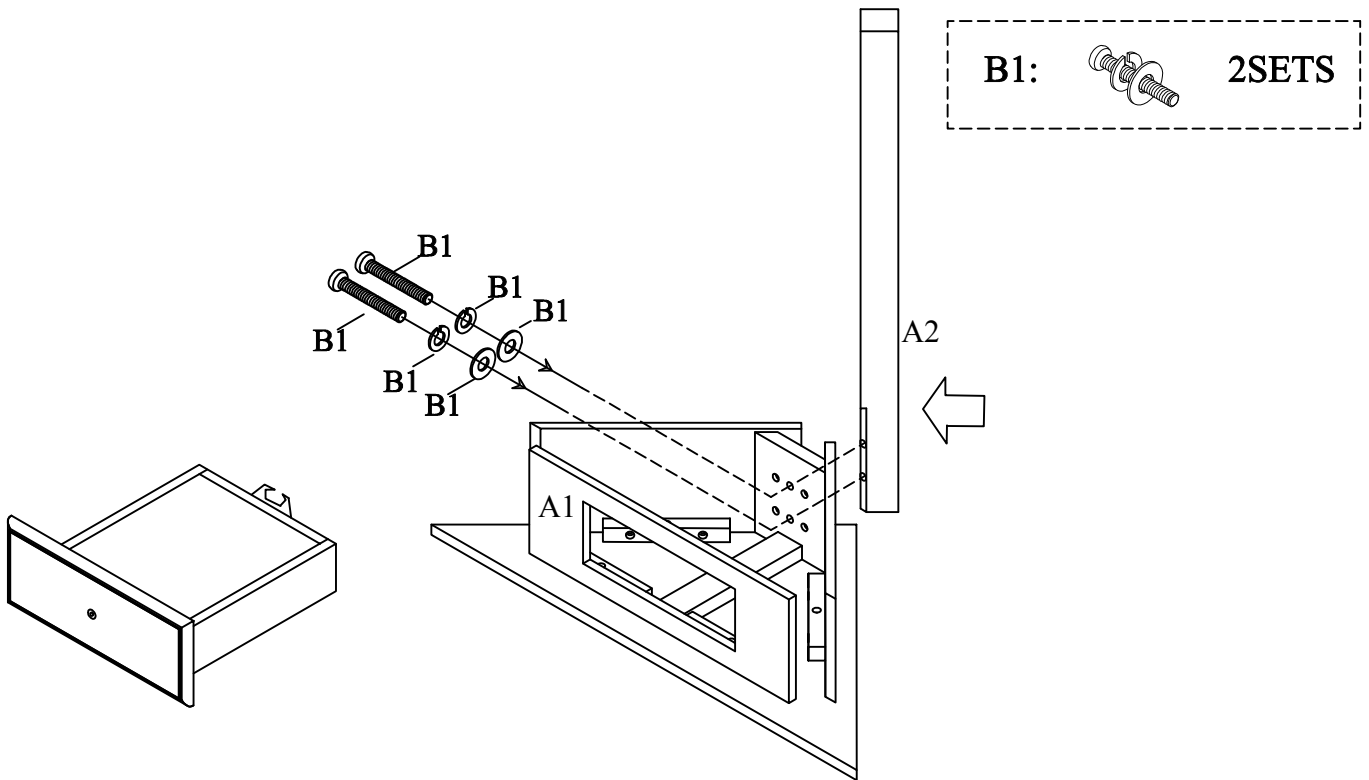


Phillips screwdriver
(not included)

Step 1: Remove the drawer from Top Panel A1.

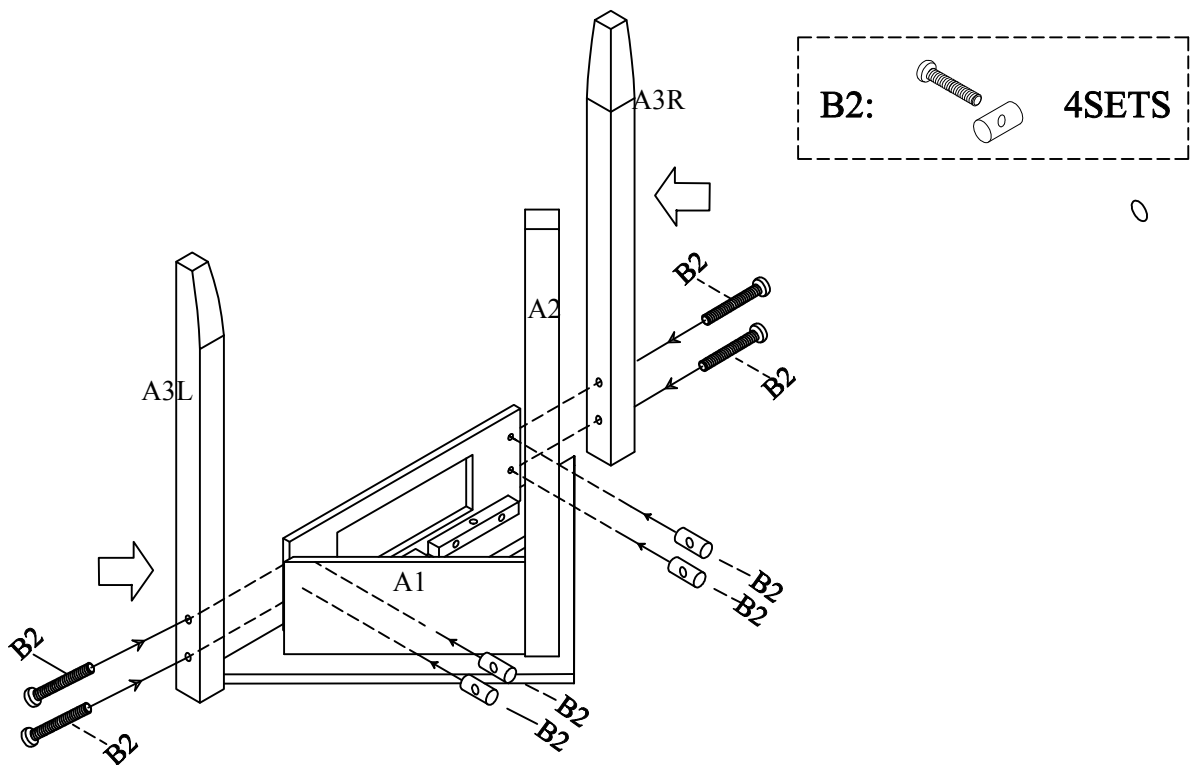
Step 2: Assemble Back Leg A2 to Top Panel A1 using Bolts with Washers B1.

Please do not tighten Bolts B1 until Step 3.

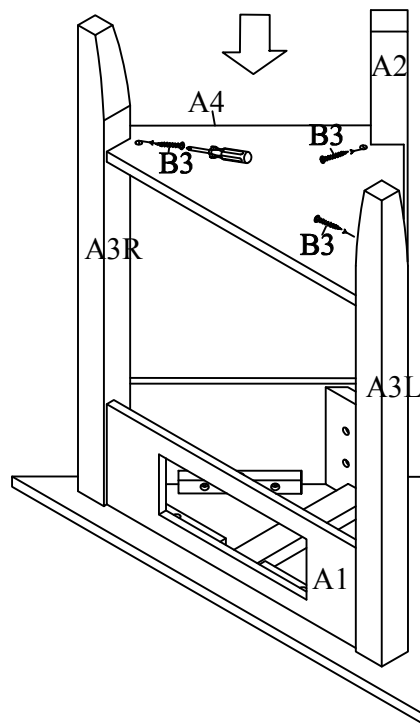


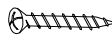
Step 3: Assemble Front Legs A3 to Top Panel A1 using Bolts with Nuts B2.

Please do not tighten Bolts B2 until Step 3.



Step 4: Attach Bottom Panel A4 to Legs A2 & A3 using Screws B3.
Then tighten Bolts B1 and B2 at this point.



B3:  **3PCS**

Step 5: Unscrew the knob that is attached to the back of the drawer panel, and attach it to the front of the drawer front panel using the same bolt.

Step 6: Insert the drawer into the unit.

Note: Please make sure to slightly incline the drawer so that the plastic guide should catch the wood glide.

