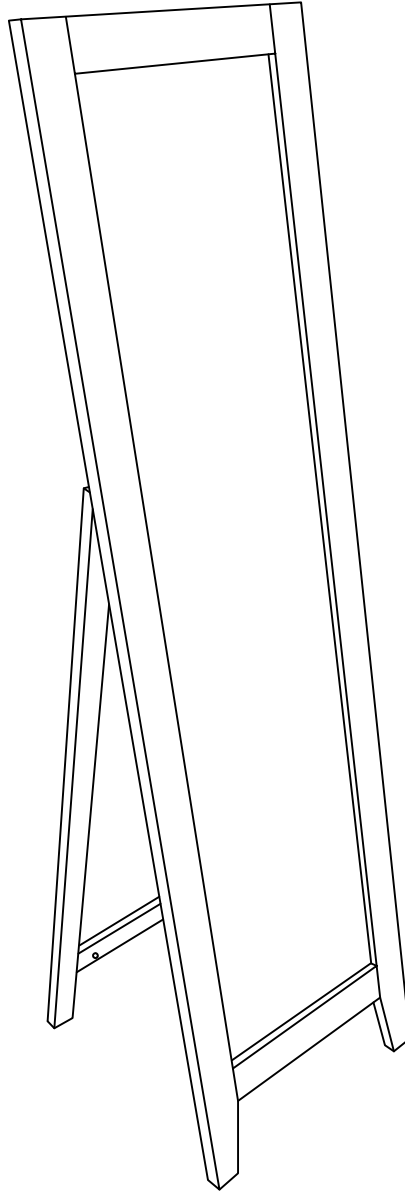


Assembly Instructions

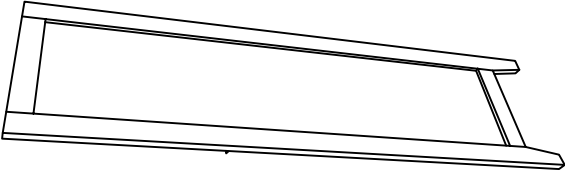
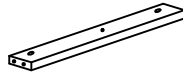
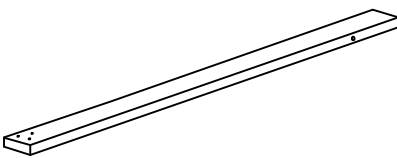
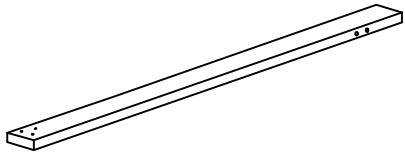
Item# M9053 Standing Mirror





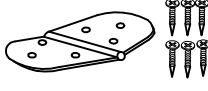
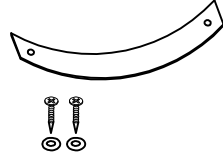
NOTE TO CUSTOMERS:

- For ease and speed of assembly we recommend that before you commence each step of the assembly that you identify all the parts required to complete that step.
- We recommend that where possible you allow sufficient space to assemble the item as close as possible to the place where it will be once assembled.
- For the protection of your furniture we recommend that the product is placed on protected surfaces during assembly to prevent any damage.
- During assembly do not over tighten, as this may damage the product.
- Please ensure you retain all the product packaging until the item completely assembled.
- Please periodically check all fittings and re-tighten as necessary.
- Please never allow any liquids to remain on your furniture as absorption can cause the wood to warp or finish to de-laminate.
- It is recommended that this item should be assembled by two adults.

Part List

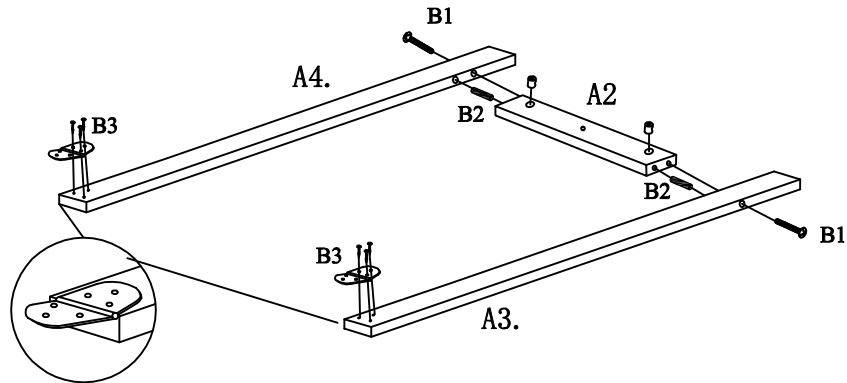
<p>A1. Quantity of 1</p> <div style="text-align: center; margin: 20px 0;">  </div> <p style="text-align: center;">Mirror Frame</p>	<p>A2. Quantity of 1</p> <div style="text-align: center; margin: 20px 0;">  </div> <p style="text-align: center;">Connect Bar</p>
<p>A3. Quantity of 1</p> <div style="text-align: center; margin: 20px 0;">  </div> <p style="text-align: center;">Leg</p>	<p>A4. Quantity of 1</p> <div style="text-align: center; margin: 20px 0;">  </div> <p style="text-align: center;">Leg</p>

Hardware List

<p>B1. Quantity of 2</p> <div style="text-align: center; margin: 20px 0;">  </div> <p style="text-align: center;">Bolt with nut</p>	<p>B2. Quantity of 2</p> <div style="text-align: center; margin: 20px 0;">  </div> <p style="text-align: center;">Wood Dowel</p>	<p>B3. Quantity of 2</p> <div style="text-align: center; margin: 20px 0;">  </div> <p style="text-align: center;">Hinge with screw</p>	<p>B4. Quantity of 1</p> <div style="text-align: center; margin: 20px 0;">  </div> <p style="text-align: center;">Connect Belt with screw</p>
---	--	---	---

Assembly instructions

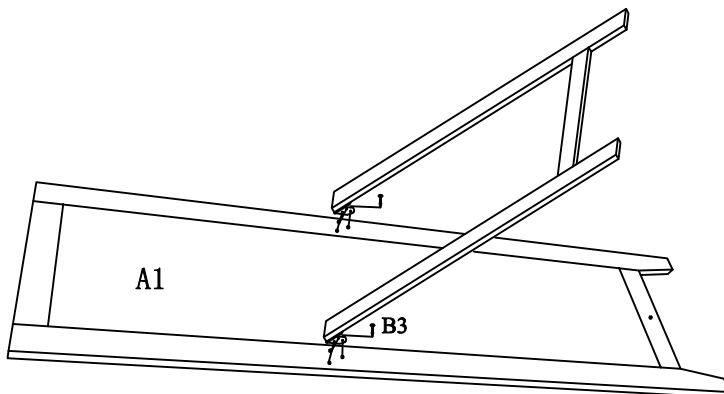
B1		2pcs
B2		2pcs
B3		2sets



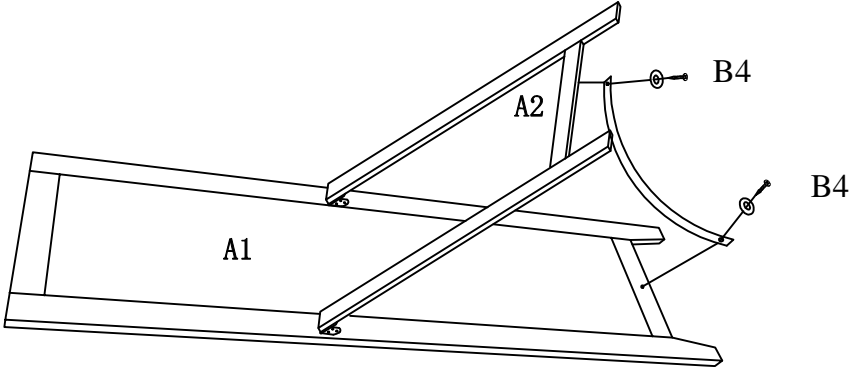
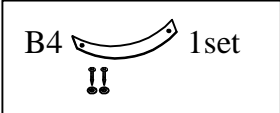
Step 1: Assemble Connect Bar A2 to Legs A3 & A4 using Bolt with nuts B2 and Wood Dowels B2 as shown above.

Step 2: Attach Hinges B3 to Legs A3 & A4 using included screws as shown above.

B3		2sets
----	---	-------



Step 3: Assemble Hinges B3 to Mirror Frame A1 using included screws as shown above.



Step 3: Attach Connect Belt B4 to Connect Bar A2 and the bottom of Mirror Frame A1 using included screws.

