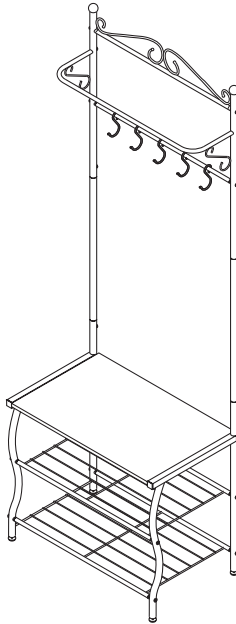


# Assembly Instructions

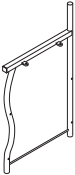

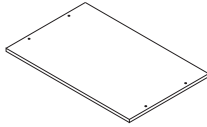
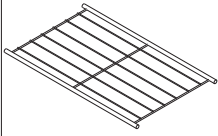
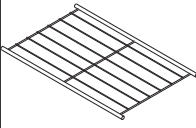
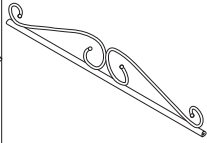




Style# M03 Hallway Rack



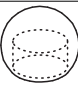
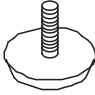

## NOTE TO CUSTOMERS:



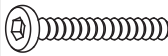
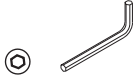
1. For ease and speed of assembly we recommended that before you commence each step of the assembly that you identify all the parts required to complete that step.
2. We recommended that where possible you allow sufficient space to assemble the item as close as possible to the place where it will be once assembled.
3. For the protection of your furniture we recommended that the product is placed on a protected surface during assembly to prevent any damage.
4. During assembly do not over tighten, as this may damage the product.
5. Please ensure you retain all the product packaging until the item is completely assembled.
6. Please periodically check all fittings and re-tighten as necessary.
7. Please never allow any liquids to remain on your furniture as absorption can cause the wood to warp or finish to de-laminate.
8. It is recommended that this item should be assembled by two adults.

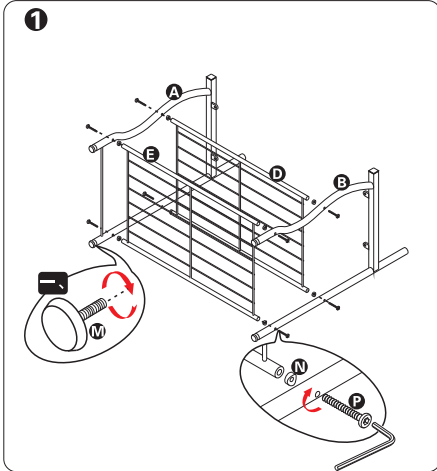
## Parts list:

Left Side Frame	Right Side Frame	Top Panel	Shelf Frame
<b>A</b>	<b>B</b>	<b>C</b>	<b>D</b>
			
1	1	1	1
Bottom Frame	Top Apron	Middle Connecting Bar	Top Connecting Bar
<b>E</b>	<b>F</b>	<b>G</b>	<b>H</b>
			
1	1	<b>Lower Pole</b>	<b>Upper Pole</b>
		<b>I</b>	<b>J</b>
			
		1/1/2/2	

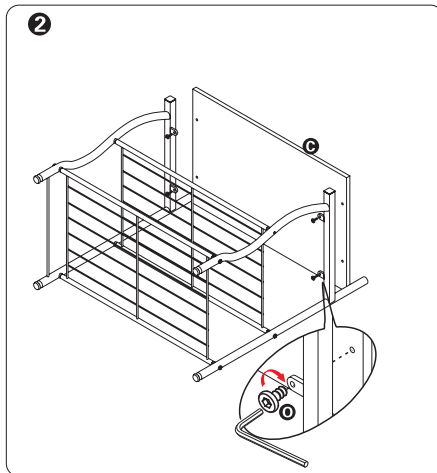
## Hardware list:

Plastic Cap	Leveler	Short Bolt
<b>K</b>	<b>M</b>	<b>O</b>
		
2	4	10

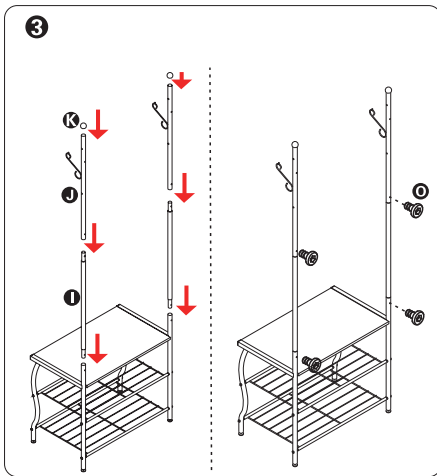
Hook	Washer	Long Bolt	Allen Wrench
<b>L</b>	<b>N</b>	<b>P</b>	
			
5	12	12	



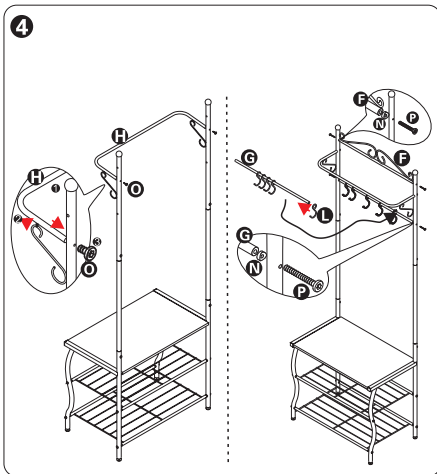
- 1). Attach Leveler (M) to Side Frames(A) & (B).
  - 2). Assemble Frames(D) &(E) to Side Frames (A) & (B) using Washers (N) Long Bolts(P).
- Note:Do not tighten bolts until Step 4.



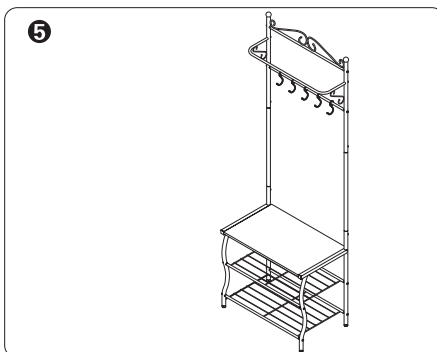
- 2) Attach Top Panel (C) to Side Frames(A) & (B) using Short Bolts(O).
- Note:Do not tighten bolts until Step 4.



- 1) Tighten and Insert Lower Pole (I) into Side Frame (A&B), then insert Upper Poles (J) into Lower Poles (I) using Short Bolts (O).
  - 2). Insert Plastic Caps (K) into the end of the Upper Poles (J).
- Note: Do not tighten bolts until Step 4.



- 1). Attach Top Connecting Bar (H) to Upper Poles (J) using Short Bolts (O).
  - 2). Attach Hooks (L) to Middle Connecting Bar (G), then attach it to Upper Poles (J) using Washers (N) and Long Bolts (P).
  - 3). Attach Top Apron (F) to Upper Poles (J) using Washers (N) and Long Bolts (P).
- Note: Tighten all bolts at this point.



Note: The weight load on the top panel should never exceed 100lbs, and the metal shelves should not exceed 20lbs.