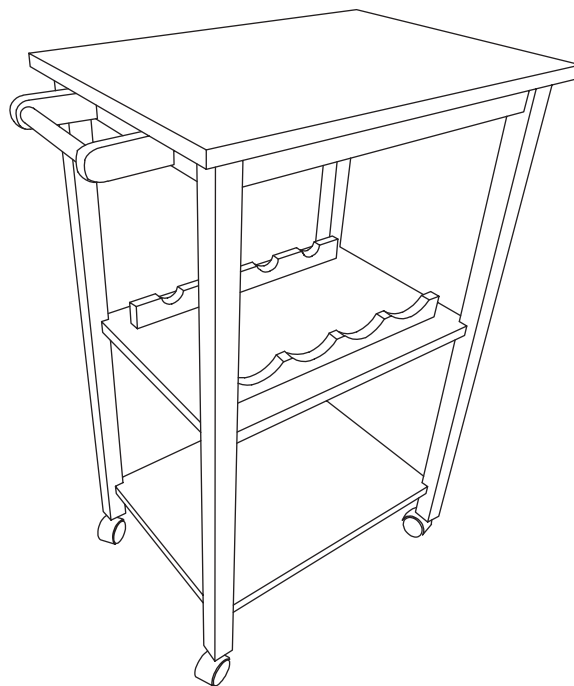


ASSEMBLY INSTRUCTIONS

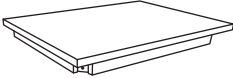

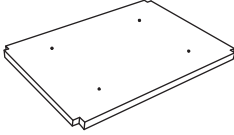


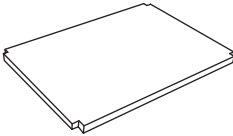

MODEL # KITCHEN CART (K53 & K54)



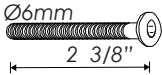
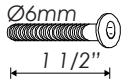
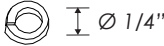
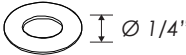

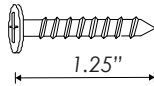
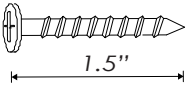


NOTE TO CUSTOMERS:

- For ease and speed of assembly we recommend that before you commence each step of the assembly that you identify all the parts required to complete that step.
- We recommend that where possible you allow sufficient space to assemble the item as close as possible to the place where it will be once assembled.
- For the protection of your furniture we recommend that the product is placed on protected surfaces during assembly to prevent any damage.
- During assembly do not over tighten the screws or bolts, as this may damage the product.
- Please ensure you retain all the product packaging until the item is completely assembled.
- Periodically check all fitting and re-tighten as necessary.
- Never allow any liquids to remain on your furniture as absorption can cause the wood to warp or finish to de-laminate.
- It is recommended that this item should be assembled by two adults.

PARTS IDENTIFICATION

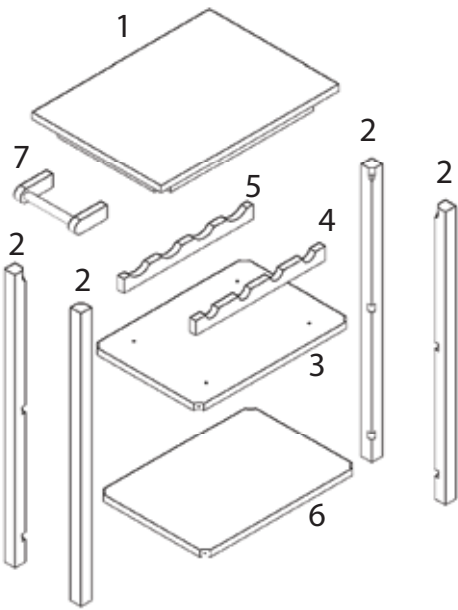
1-	Top Panel		1 pc
2-	Legs		4 pcs
3-	Middle Shelf		1 pc
4-	Wine Bottle Holder Front		1 pc
5-	Wine Bottle Holder Rear		1 pc
6-	Bottom Shelf		1 pc
7-	Towel Bar		1 Set

HARDWARE IDENTIFICATION

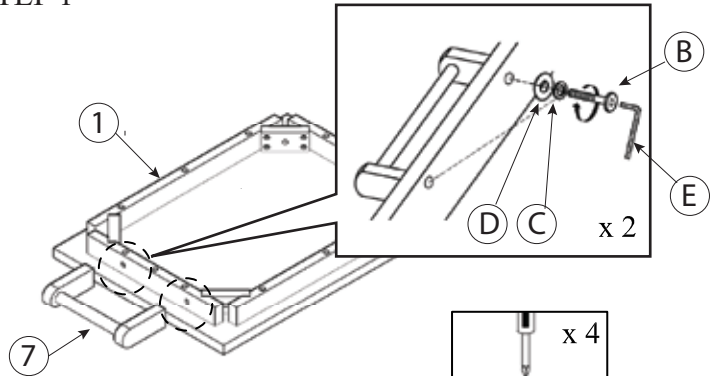
A-	JCBC Bolt M6 x 60mm		4 pcs
B-	JCBC Bolt M6 X 40mm		2 pcs
C-	Spring Washer		6 pcs
D-	Flat Washer		6 pcs
E-	Allen Key		1 pc
F-	Screw M4 x 32mm		4 pcs
G-	Screw M4 x 38mm		8 pcs
H-	Castor with Brake		2 pcs
J-	Castor without Brake		2 pcs

NOTE: Quantities shown are for one chair. Bolts are metric screw threads

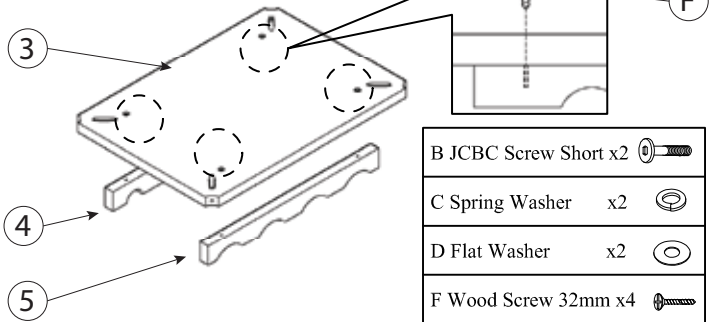
PARTS POSITION



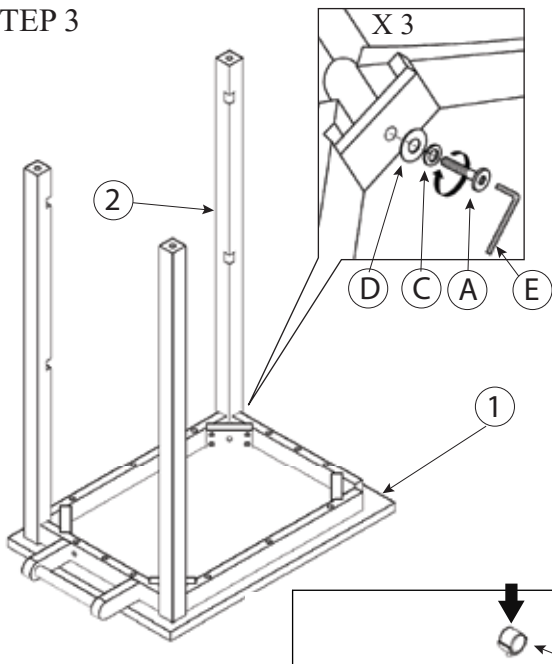
STEP 1



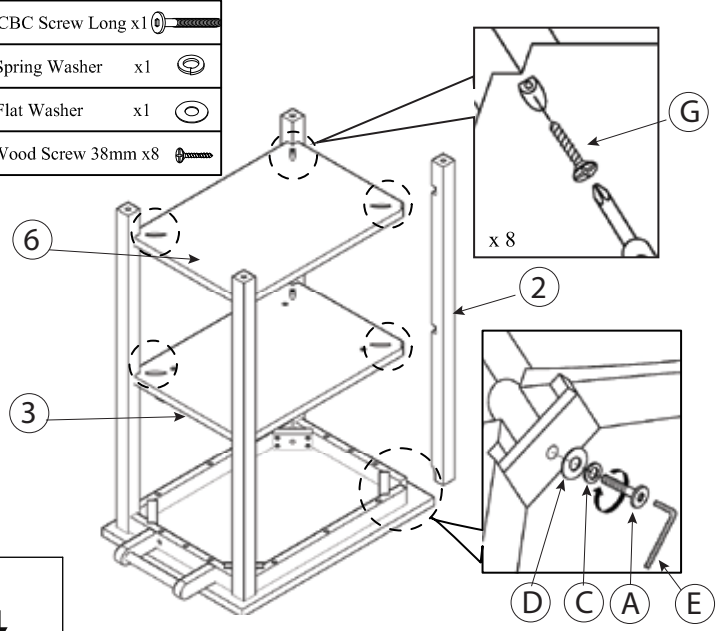
STEP 2



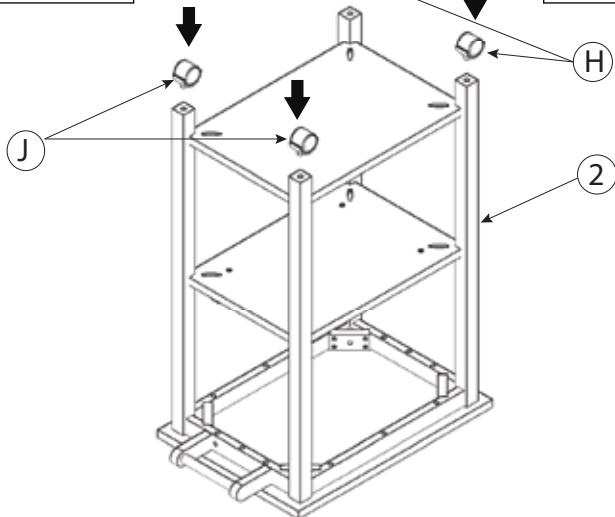
STEP 3



STEP 4



STEP 5



H Castor with Lock x2	
J Castor without Lock x2	