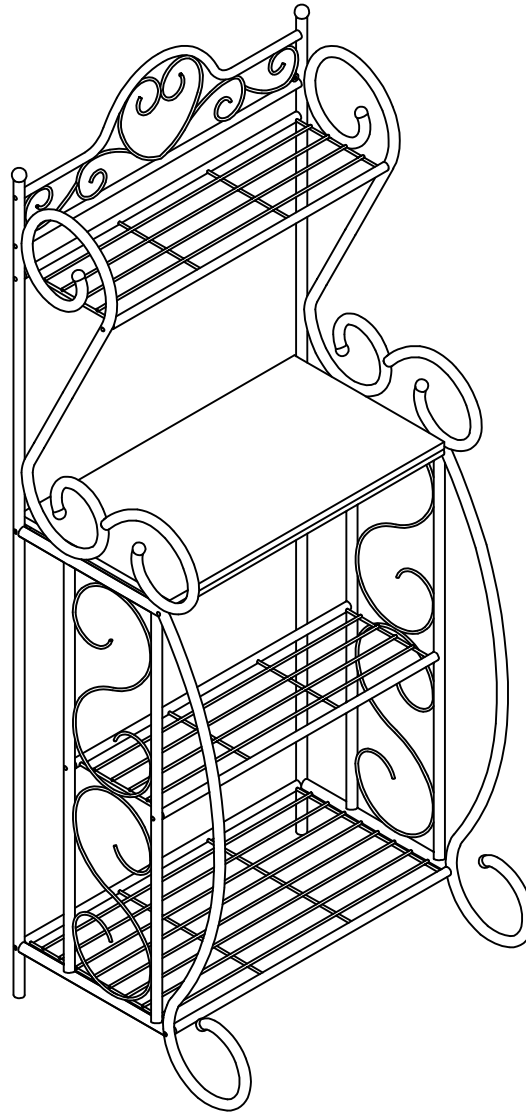


ASSEMBLY INSTRUCTIONS


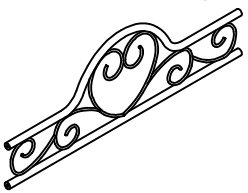
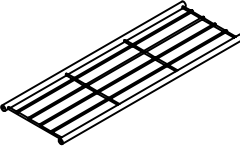
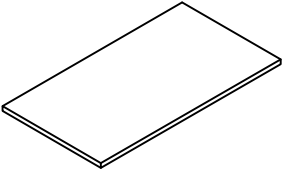
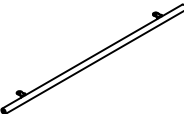
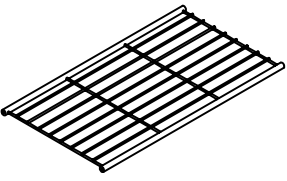
Style # K3027 Baker's Rack



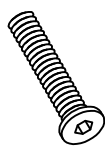

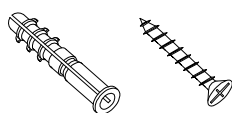

NOTE TO CUSTOMERS:

- For ease and speed of assembly we recommend that before you commence each step of the assembly that you identify all the parts required to complete that step.
- We recommend that where possible you allow sufficient space to assemble the item as close as possible to the place where it will be once assembled.
- For the protection of your furniture we recommend that the product is placed on protected surfaces during assembly to prevent any damage.
- During assembly do not over tighten, as this may damage the product.
- Please ensure you retain all the product packaging until the item completely assembled.
- Please periodically check all fittings and re-tighten as necessary.
- It is recommended that this item should be assembled by two adults.

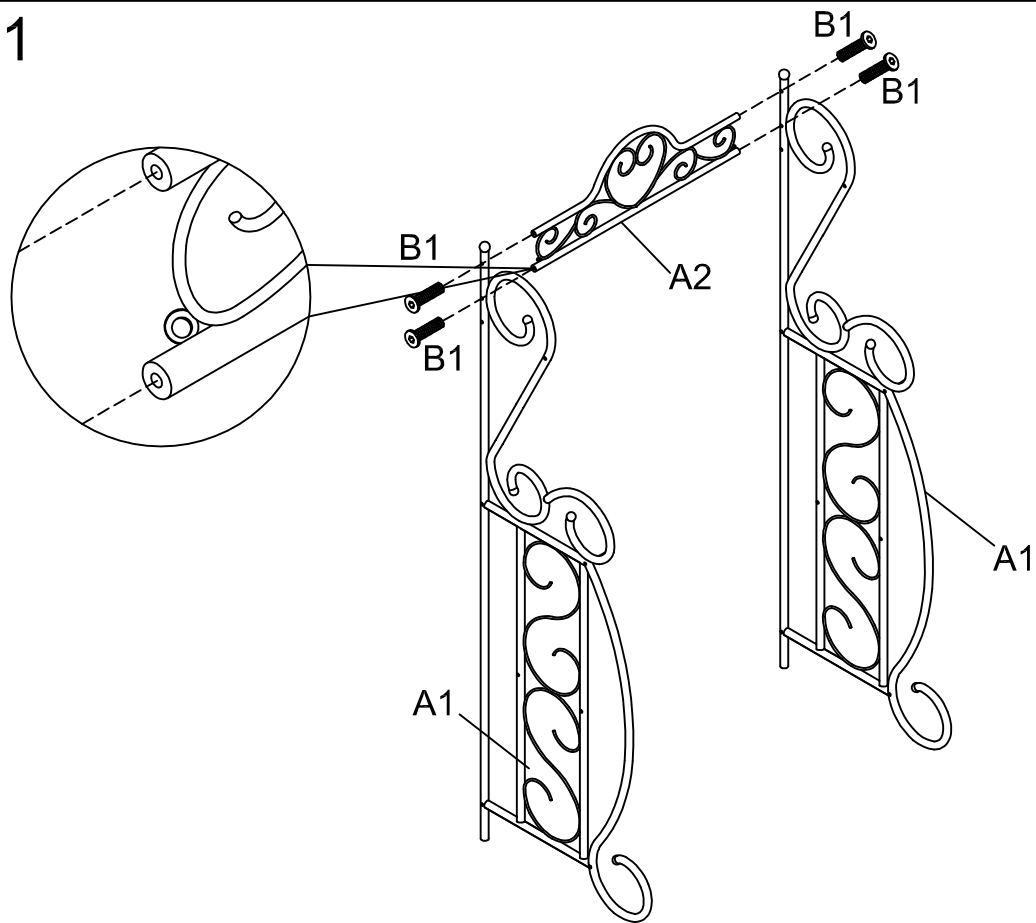
PART LIST

<p>A1. Quantity of 2</p>  <p>Side Frame</p>	<p>A2. Quantity of 1</p>  <p>Back Frame</p>	<p>A3. Quantity of 2</p>  <p>Upper Rack</p>	<p>A4. Quantity of 1</p>  <p>Top Panel</p>
<p>A5. Quantity of 2</p>  <p>Connect Bar</p>	<p>A6. Quantity of 1</p>  <p>Bottom Rack</p>		

HARDWARE LIST

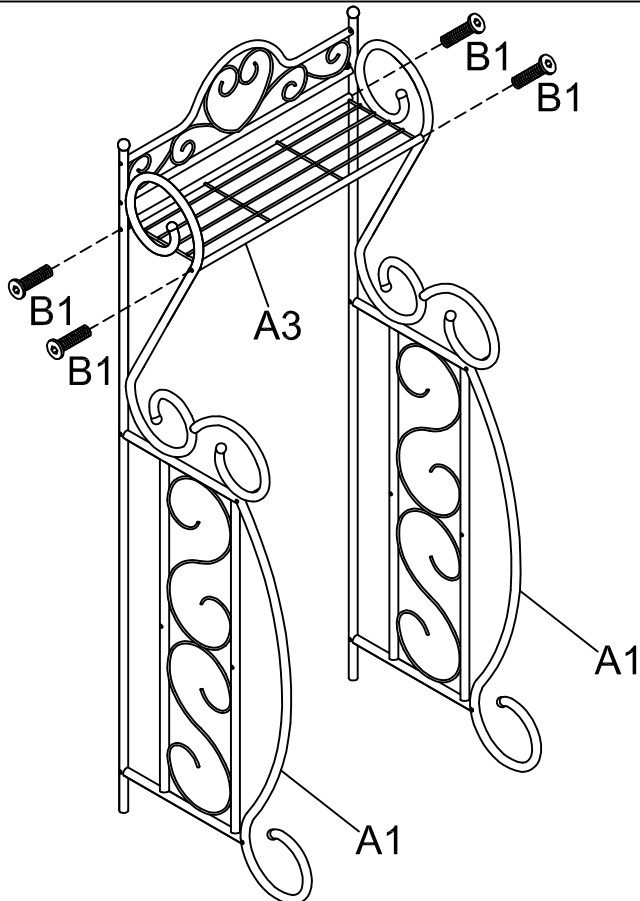
<p>B1. Quantity of 20</p>  <p>Bolt</p>	<p>B2. Quantity of 4</p>  <p>Screw</p>	<p>B3. Quantity of 2</p>  <p>Anchor with screw</p>	 <p>Allen Wrench</p>
--	--	---	---

Step 1




Attach Back Frame A2 to Side Frames A1 using Bolts B1.

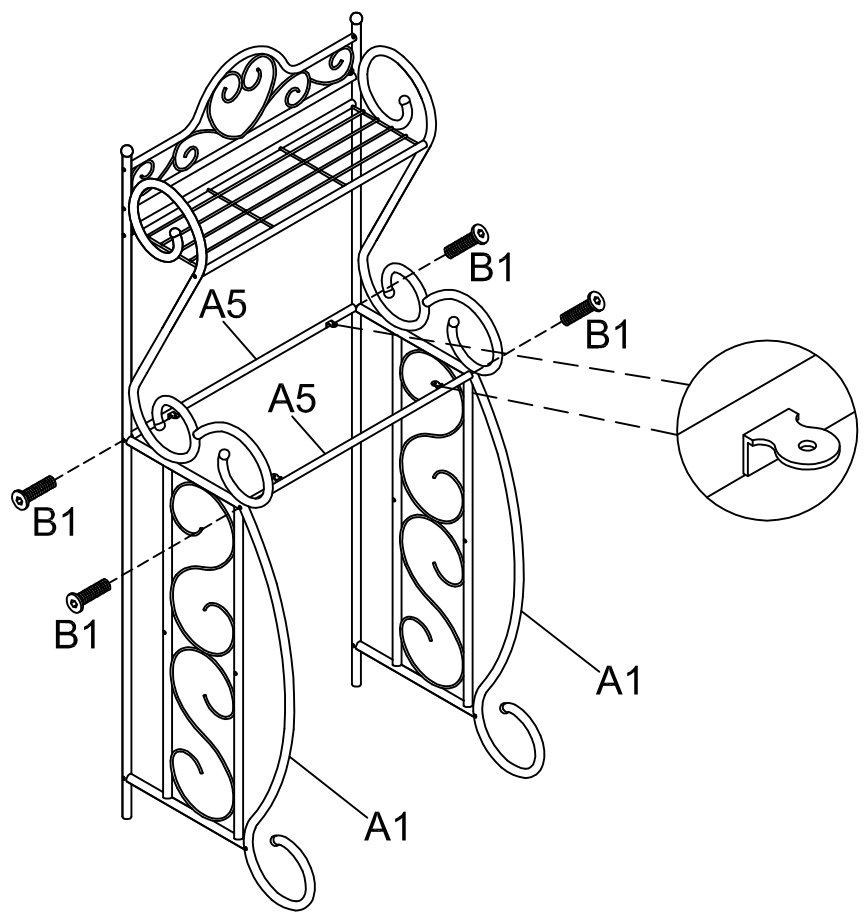
Step 2



Attach Upper Rack A3 to Side Frames A1 using Bolts B1.


Step 3

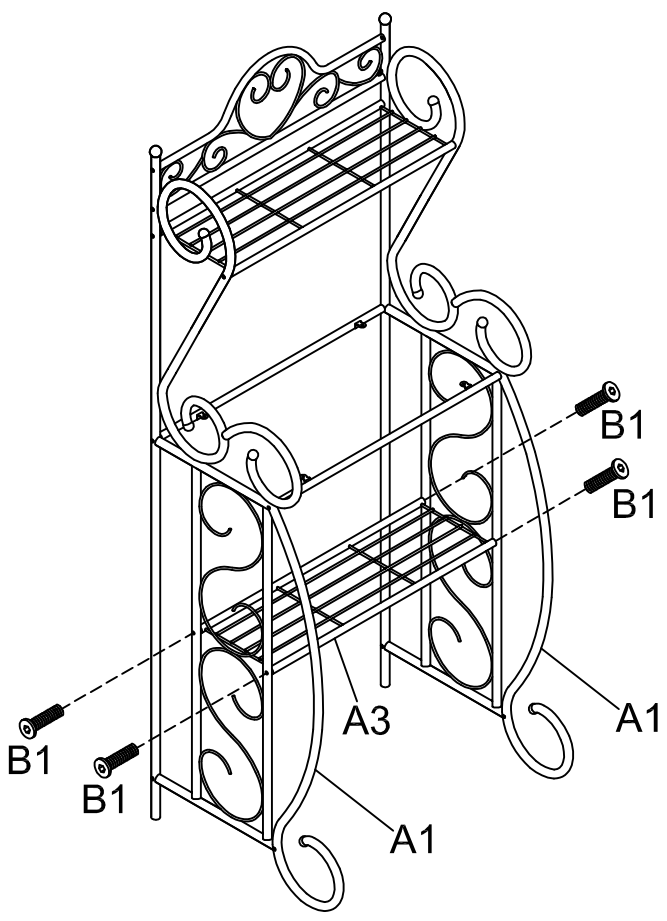
B1  4pcs



Attach Connect Bars A5 to Side Frames A1 using Bolts B1.

Step 4

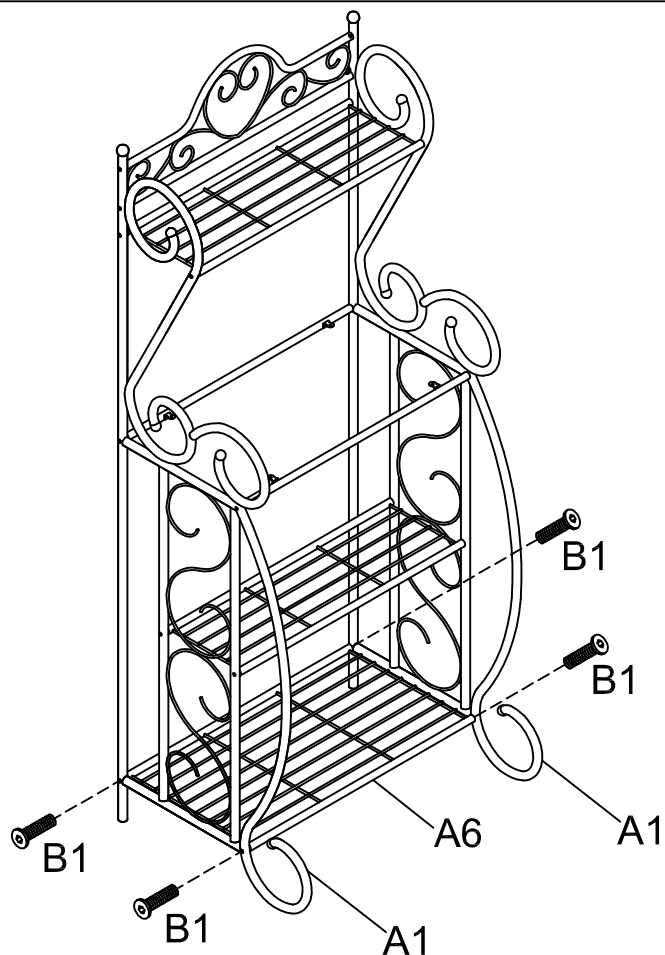
B1  4pcs



Attach Upper Rack A3 to Side Frames A1 using Bolts B1.

Step 5

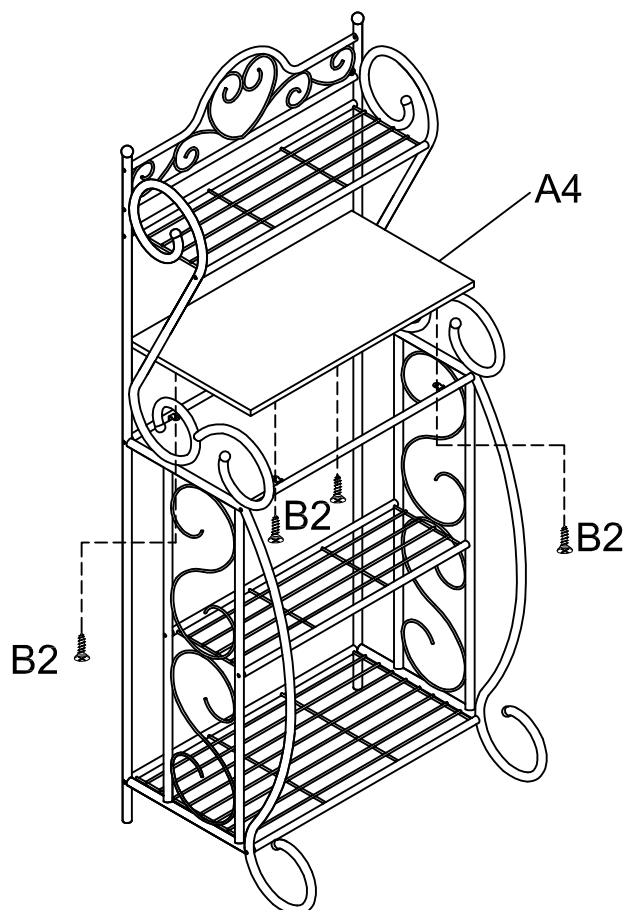
B1  4pcs



Attach Bottom Frame A6 to Side Frames A1 using Bolts B1.

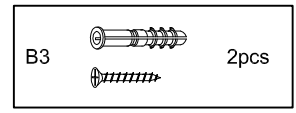
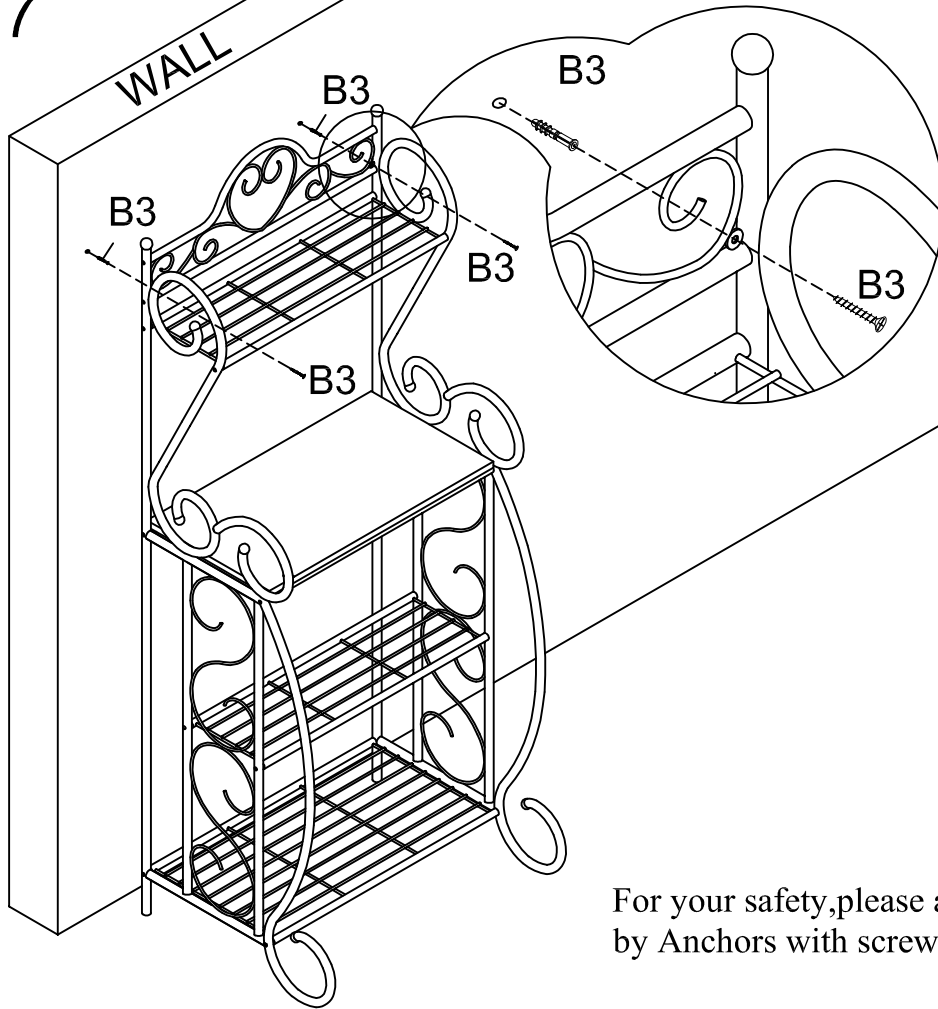
Step 6

B2  4pcs



Attach Top Panel A4 to Connect Bars A5 using Screws B2.

Step 7



For your safety, please attach the unit to the wall by Anchors with screws B3.

APPENDIX: Dimension of hardware in this AI.

<p>B1</p> <p>Bolt</p>	
<p>B2</p> <p>Screw</p>	<p>B3</p> <p>Screw</p>