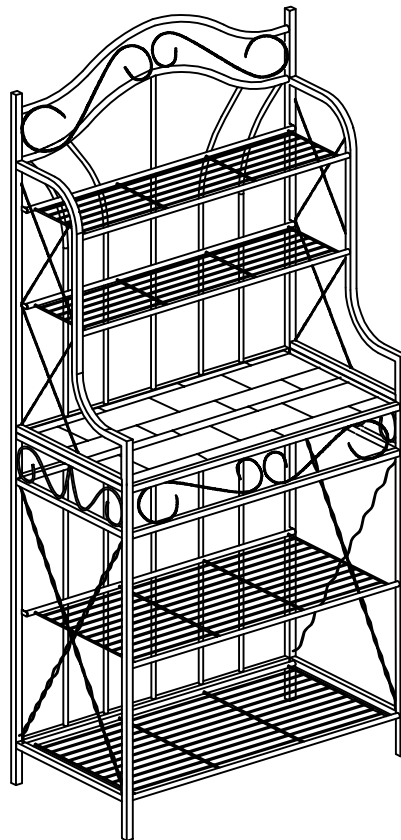


ASSEMBLY INSTRUCTIONS

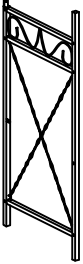
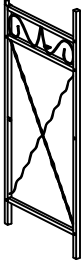
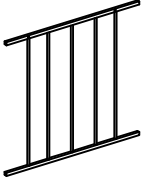

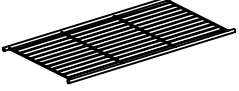
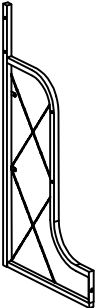
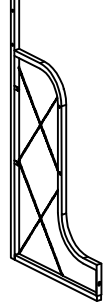
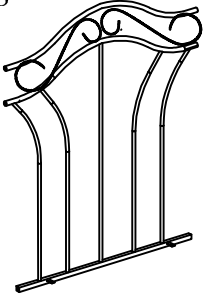
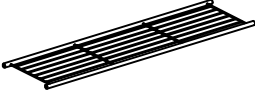
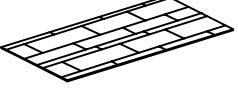
Style # K3026 Baker's Rack



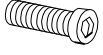

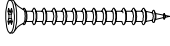


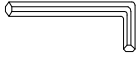
NOTE TO CUSTOMERS:

- For ease and speed of assembly we recommend that before you commence each step of the assembly that you identify all the parts required to complete that step.
- We recommend that where possible you allow sufficient space to assemble the item as close as possible to the place where it will be once assembled.
- For the protection of your furniture we recommend that the product is placed on protected surfaces during assembly to prevent any damage.
- During assembly do not over tighten, as this may damage the product.
- Please ensure you retain all the product packaging until the item completely assembled.
- Please periodically check all fittings and re-tighten as necessary.
- Please never allow any liquids to remain on your furniture as absorption can cause the wood to warp or finish to de-laminate.
- It is recommended that this item should be assembled by two adults.

Part List

A1		A2		A3		A4		A5	
	Left Leg 1PC		Right Leg 1PC		Lower Back Rack 1PC		Cross Rack 1PC		Netting Rack 2PCS
A6		A7		A8		A9		A10	
	Left Side Frame 1PC		Right Side Frame 1PC		Upper Back Rack 1PC		Small Netting Rack 2PC		Top Panel 1PC

Hardware List

B1	24PCS	B2	10PCS	B3	2PCS
					
Bolt		Bolt		Screw	
B4	2PCS	B5	6PCS	B6	1PC
					
Anchor		Screw		Allen Wrench	

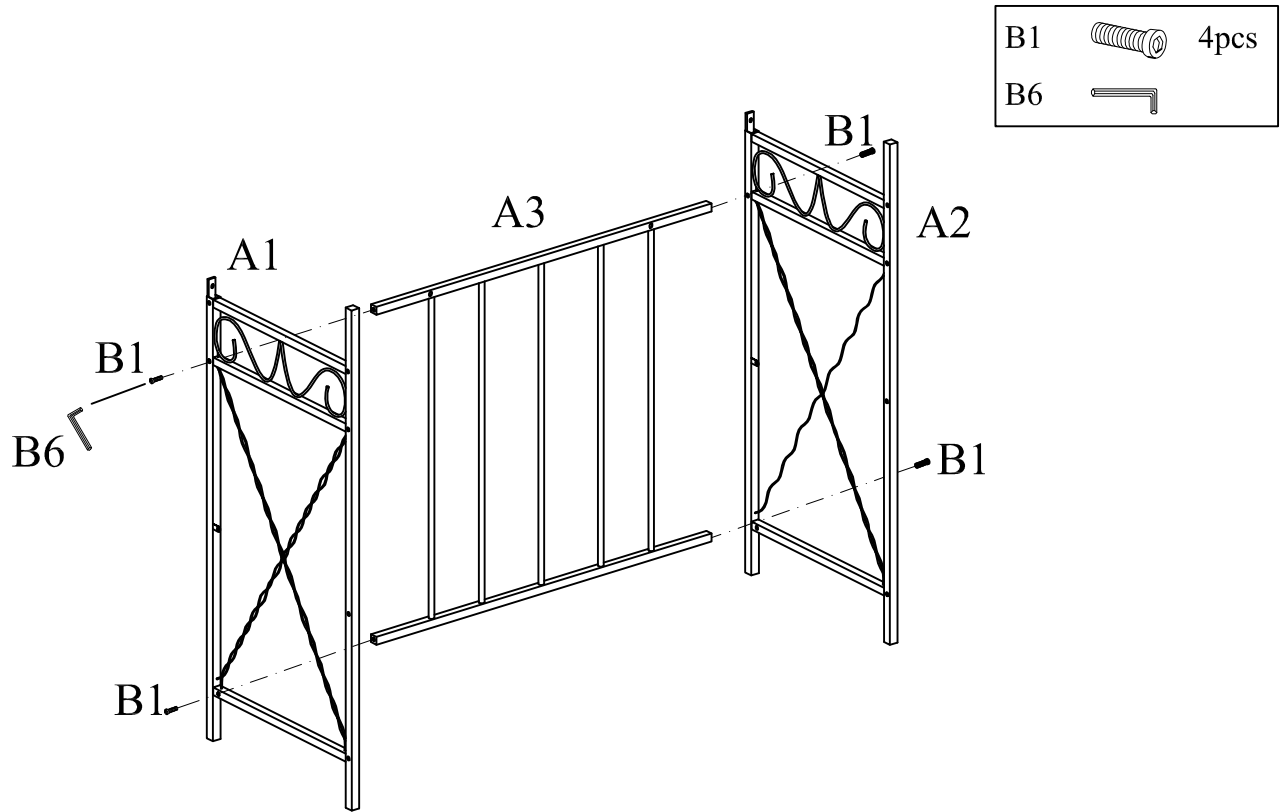
WARNING:

Serious or fatal injuries can occur from furniture tip-over.

To help prevent furniture tip-over:

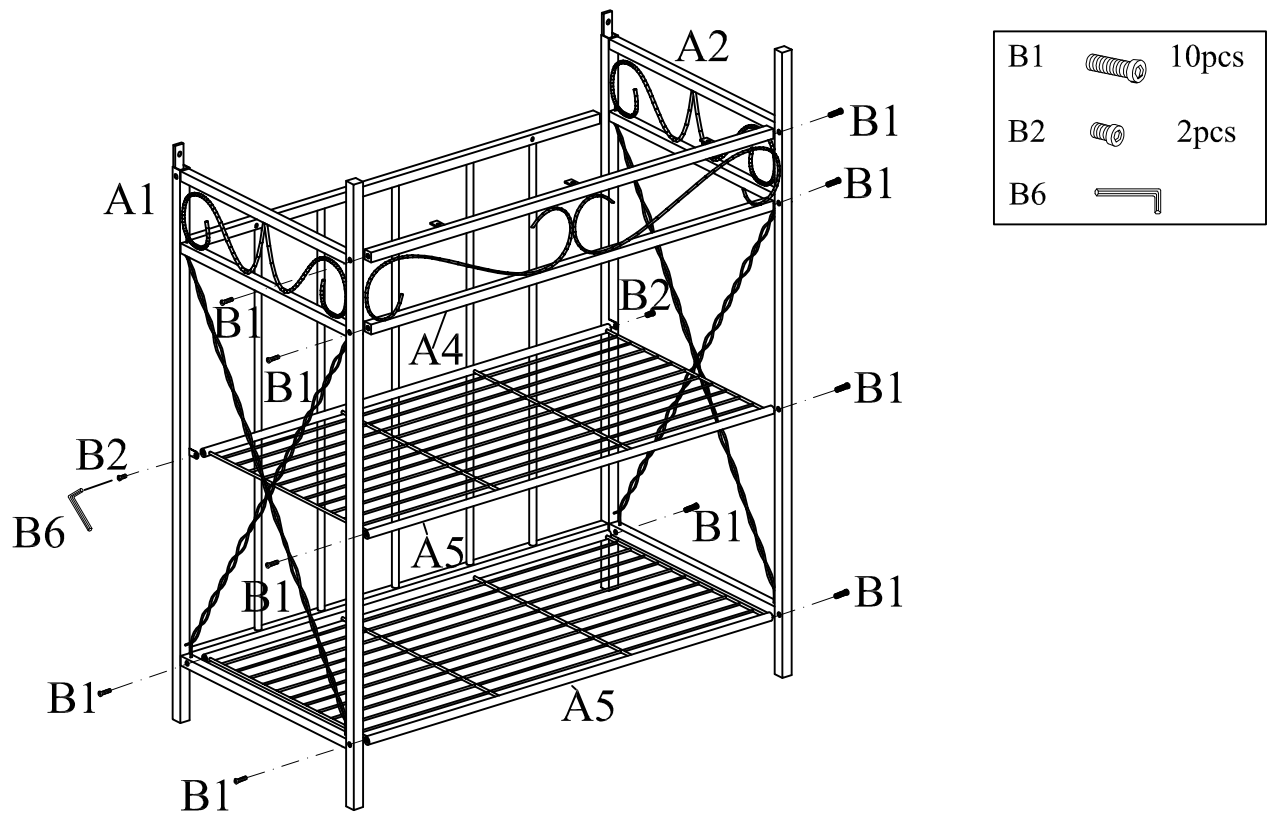
- **Use provide mounting hardware to secure furniture to the wall. This may reduce but not eliminate the risk of furniture tip-over.**
- **Do not allow children to climb on furniture.**
- **Keep remote controls, toys, and other items that might attract children off of this product.**
- **Unless specifically designed to accommodate, do not set televisions or other heavy objects on top of this product.**

STEP 1



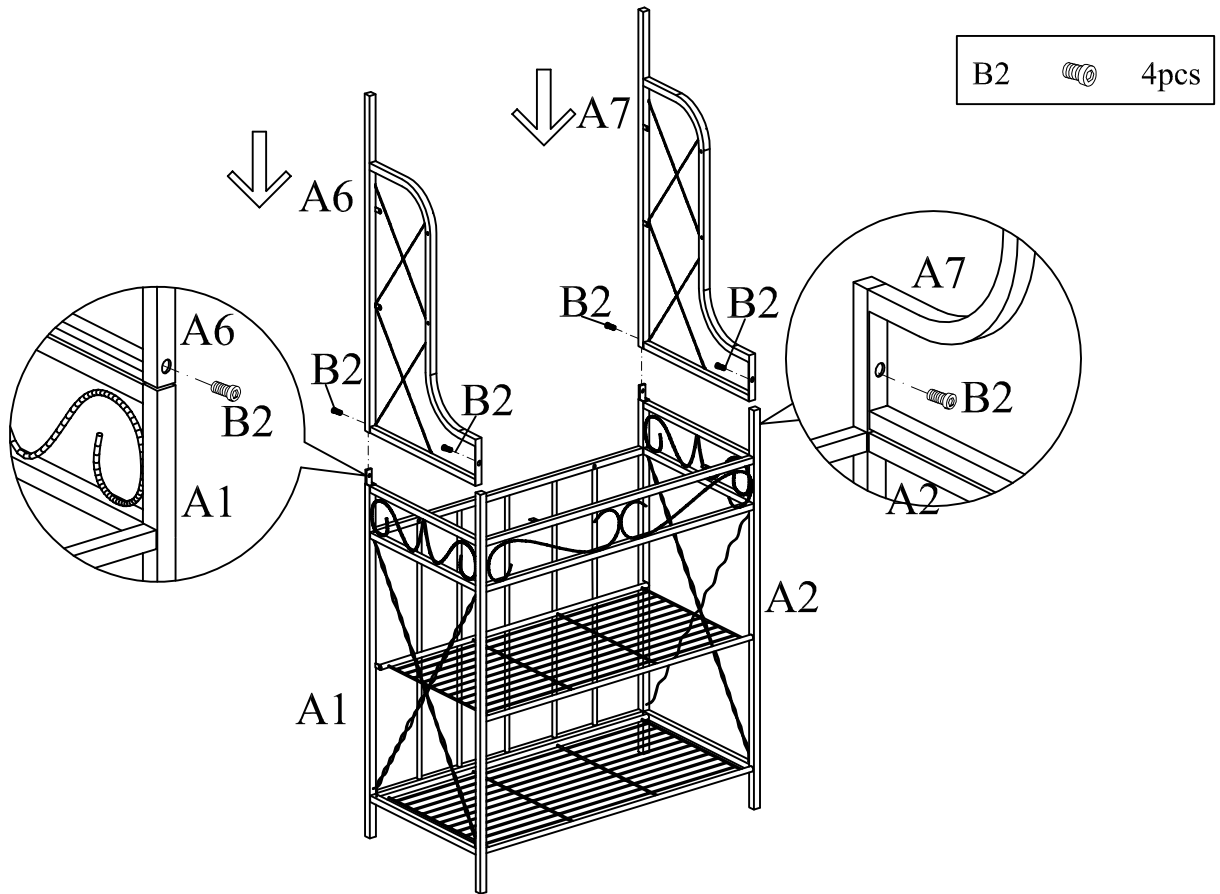
Assemble Lower Back Rack A3 to Legs A1&A2 using Bolts B1 .
Note: Please do not tighten Bolts B1 until step 6.

STEP 2



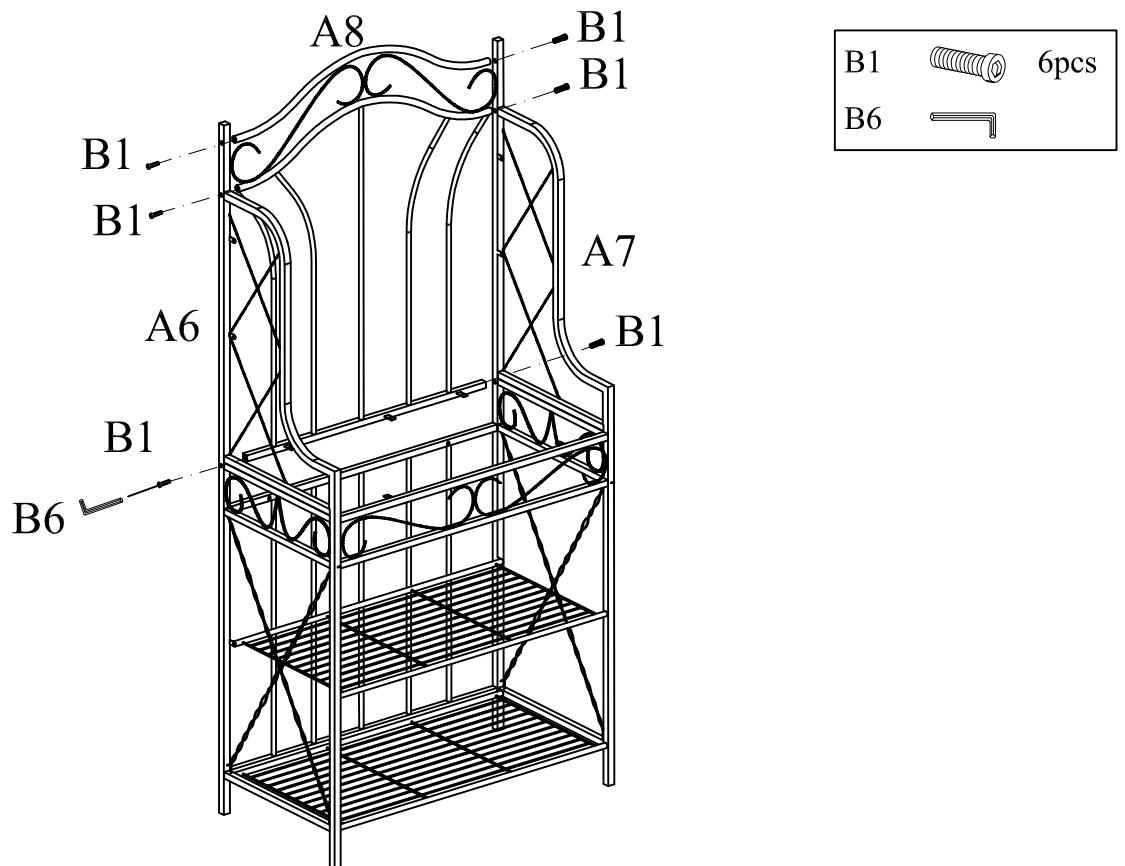
Assemble Netting Racks A5 & Cross Rack A4 to Legs A1&A2 using Bolts B1 &B2 .
Note: Please do not tighten Bolts B1 &B2 until step 6.

STEP 3



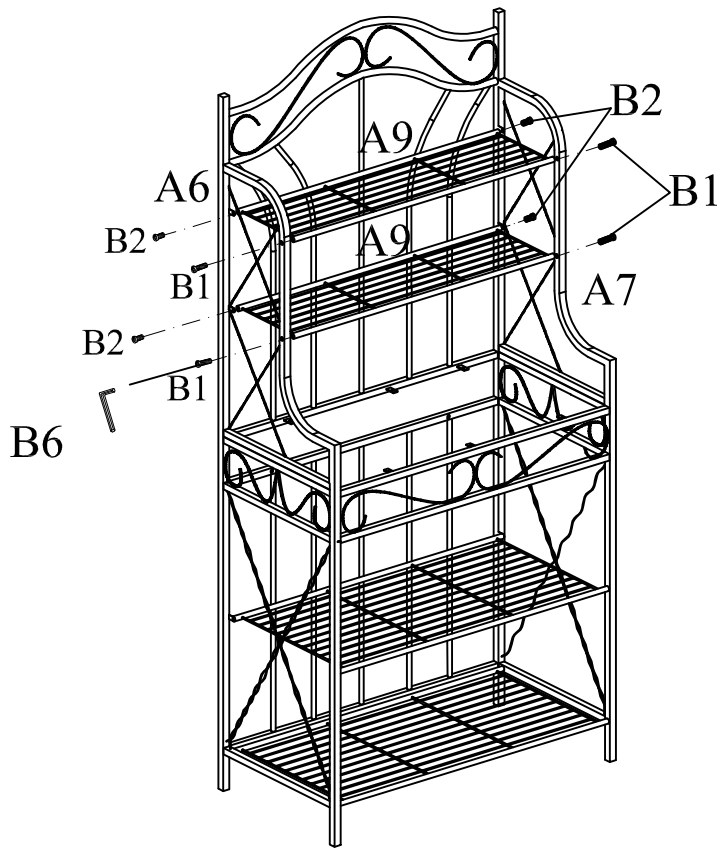
Assemble Side Frames A6&A7 (L&R) to Legs A1&A2 using Bolts B2 .
Note: Please do not tighten Bolts B2 until step 6.



STEP 4



Assemble Upper Back Frame A8 to Side Frames A6&A7 (L&R) using Bolts B1 .
Note: Please do not tighten bolts B1 until step 6.

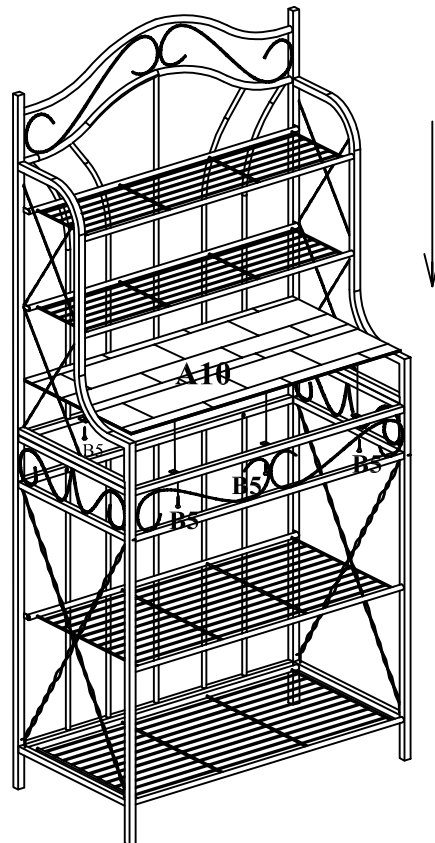
STEP 5



B1		4pcs
B2		4pcs

Assemble Small Netting Rack A9 to Side Frames A6&A7 (L&R) using Bolts B1&B2 .

STEP 6

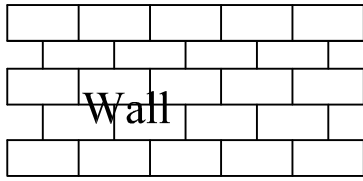


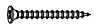

B5		6pcs
----	---	------

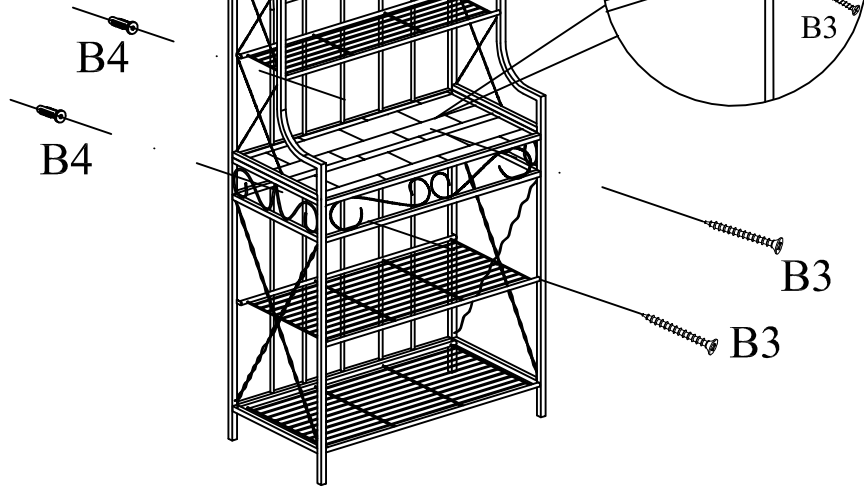
Attach Top Panel A10 to Cross Rack A4 and Upper Back Rack A8 using Screws B5 .

Note: Place the unit on the floor to check if it is stable before tightening all of bolts at this point.

STEP 7

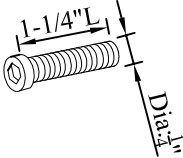
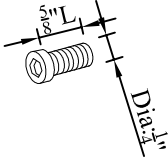
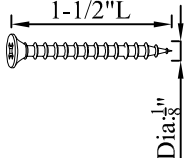
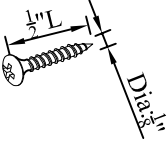


- B3  2pcs
- B4  2pcs



For your safety, please attach the unit to the wall by Screws B3 & Anchors B4 as shown above.

APPENDIX: Dimension of hardware in this AI.

<p>B1</p>  <p>Bolt</p>	<p>B2</p>  <p>Bolt</p>	<p>B3</p>  <p>Screw</p>
<p>B5</p>  <p>Screw</p>		