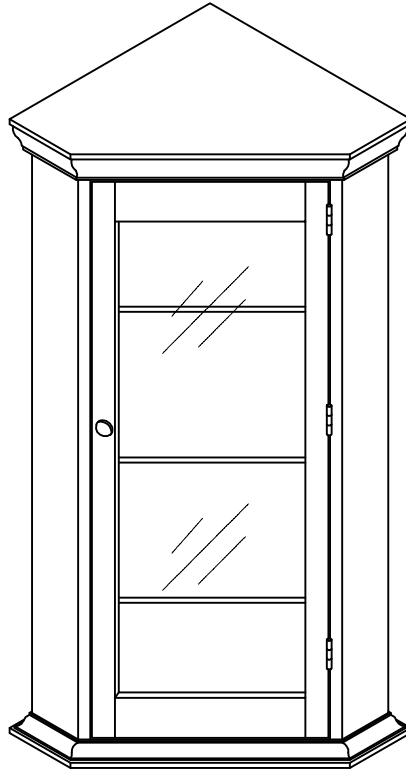


ASSEMBLY INSTRUCTIONS

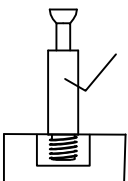
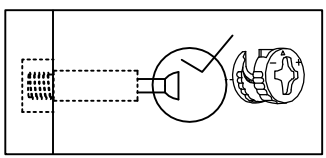
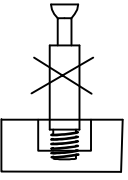
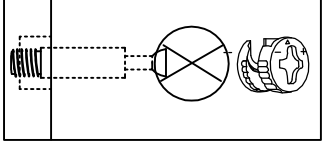
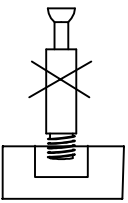
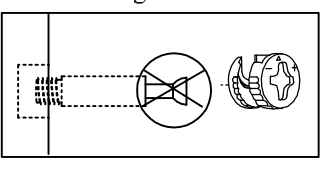
Style# K1702 Corner Storage Cabinet

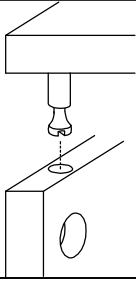
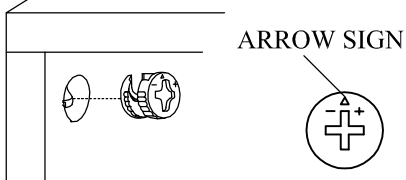
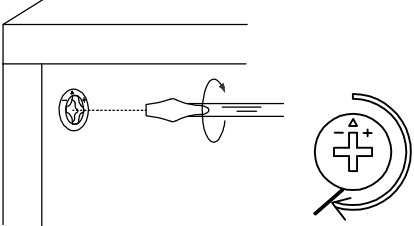


NOTE TO CUSTOMERS:

- For ease and speed of assembly we recommend that before you commence each step of the assembly that you identify all the parts required to complete that step.
- We recommend that where possible you allow sufficient space to assemble the item as close as possible to the place where it will be once assembled.
- For the protection of your furniture we recommend that the product is placed on protected surfaces during assembly to prevent any damage.
- During assembly do not over tighten, as this may damage the product.
- Please ensure you retain all the product packaging until the item completely assembled.
- Please periodically check all fittings and re-tighten as necessary.
- Please never allow any liquids to remain on your furniture as absorption can cause the wood to warp or finish to de-laminate.

To insert a cam lock: (Please read below instructions before assembling)

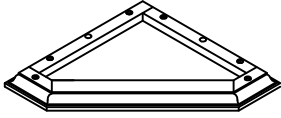
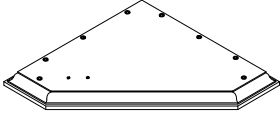
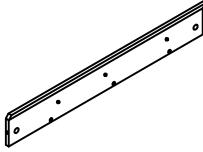
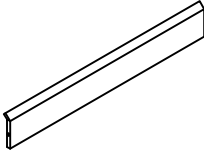
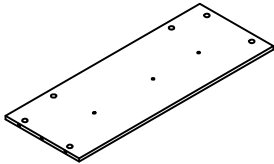
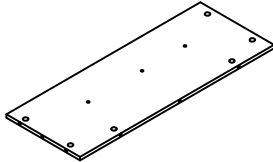

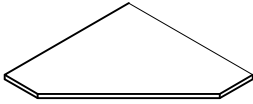
		<p>1. Insert cam screw into hole as shown in diagram A .</p>
		<p>Make sure not to insert the cam screw: Too deep as shown in figure B as this will cause the cam screw to be misaligned and unable to interlock properly.</p>
		<p>Also avoid inserting the cam screw too close to the surface of the hole as shown in figure C, as this will cause the cam lock to be too loose, and not interlock properly.</p>

	<p>2. Connect the panels together.</p>
	<p>3. When inserting the cam lock make sure the arrow of the cam lock faces the cam screw.</p>
	<p>4. To tighten the cam lock turn the cam lock clockwise 90-180 degree or until the arrow is facing opposite the place cam lock was inserted.</p> <p>NOTE: DO NOT USE AN AUTOMATIC SCREWDRIVER TO TIGHTEN CAM LOCKS.</p>

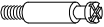


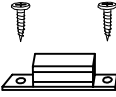


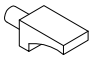


Note:

- Read these instructions carefully before assembling.
- Tools required : Phillips screwdriver, flat screwdriver.
- Find a clean, smooth area on which to work , such as a carpet, in order to avoid scratching the wood surfaces.
- Wait to dispose of the packing material until assembly is complete and all parts and hardware are accounted for.
- Two or more people might be required for assembly.

Part List

A1 . Quantity of 1  Top Panel	A2 . Quantity of 1  Bottom Panel	A3. Quantity of 1  Front Left Side Panel	A4 Quantity of 1  Front Right Side Panel
A5. Quantity of 1  Back Left Side Panel	A6. Quantity of 1  Back Right Side Panel	A7. Quantity of 1  Door	A8. Quantity of 3  Shelf Panel

Hardware List

B1 Quantity of 16  Camlock-Bolt	B2 Quantity of 16  Camlock	B3 Quantity of 6  Wood Dowel	B4 Quantity of 2  Magnet with Screws	B5 Quantity of 6  Screw
B6 Quantity of 1  Handle with Bolt	B7 Quantity of 12  Shelf Support	B8 Quantity of 1  Anchor with screw	B9 Quantity of 1  Anti-tip kit	



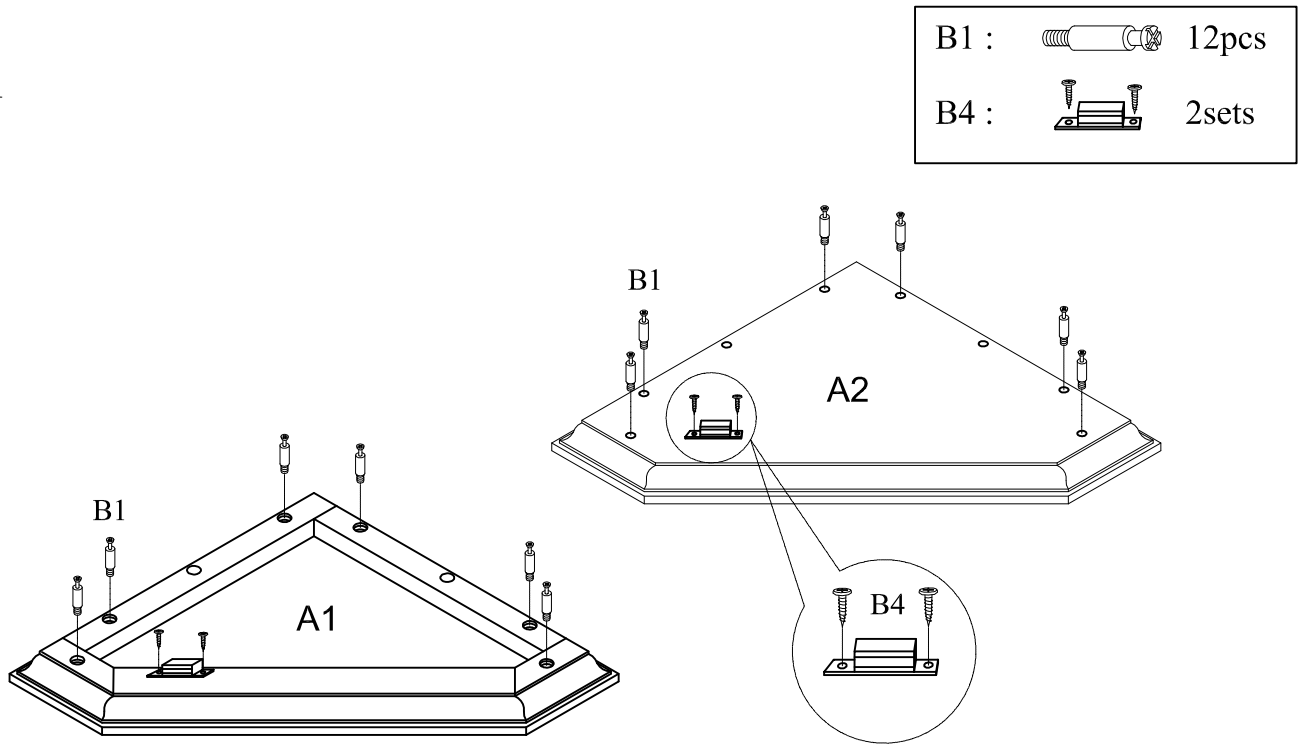
WARNING:

**Serious or fatal crushing injuries can occur from furniture tip-over.
To help prevent tip-over:**

- Place heaviest item in the lowest drawers.
- Unless specifically designed to accommodate, do not set TVs or other heavy objects on top of this product.
- Never allow children to climb or hang on drawers, doors or shelves.
- Never open more than one drawer at a time.(OR)
- Do not defeat or remove the drawer interlock system.

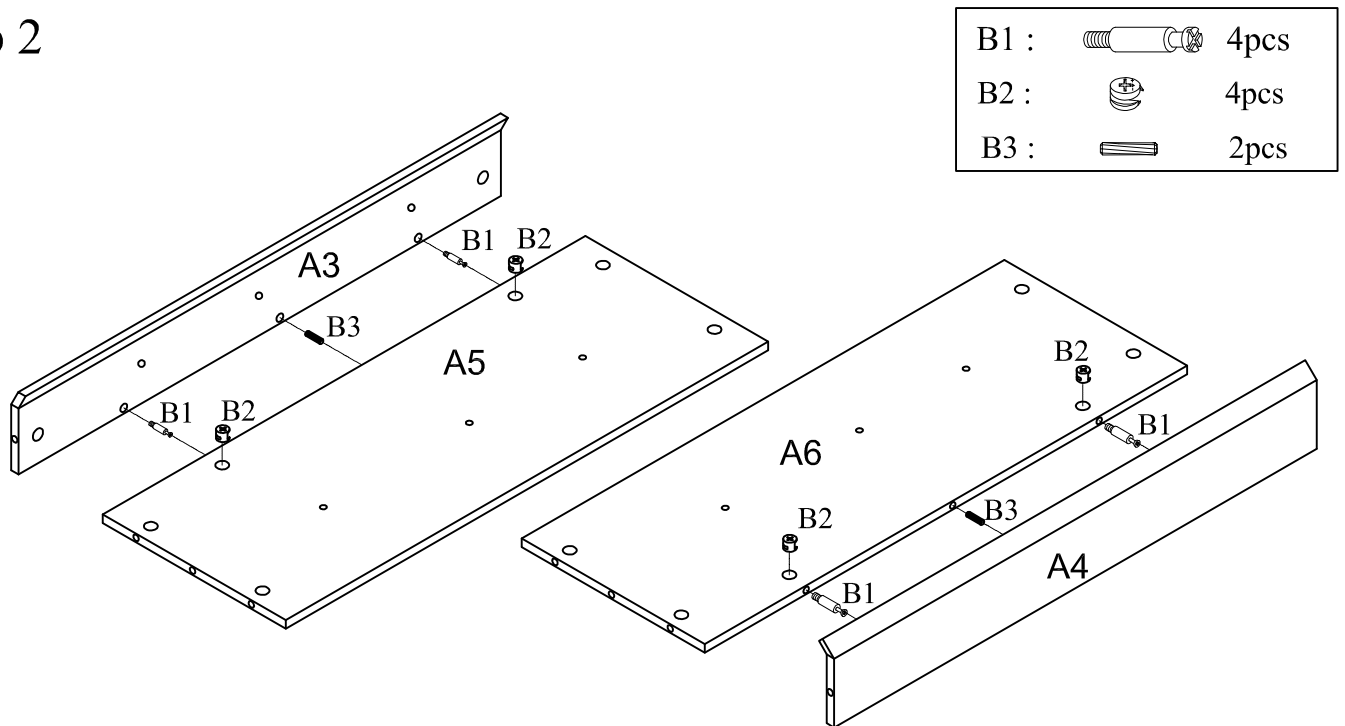
Use of tip-over restraints may only reduce, but not eliminate the risk of tip-over.

Step 1





Attach Cam-Bolts B1 and Magnet with screws B4 to Top Panel A1 and Bottom Panel A2.

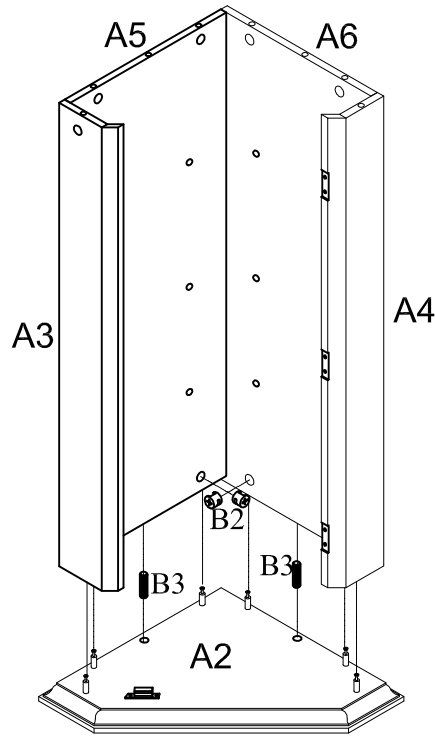
Step 2



Assemble Front Side Panels A3&A4(L&R) to Back Side Panels A5&A6 (L&R) using Cambolts B1,Camlocks B2 and Wood Dowels B3.



Step 3

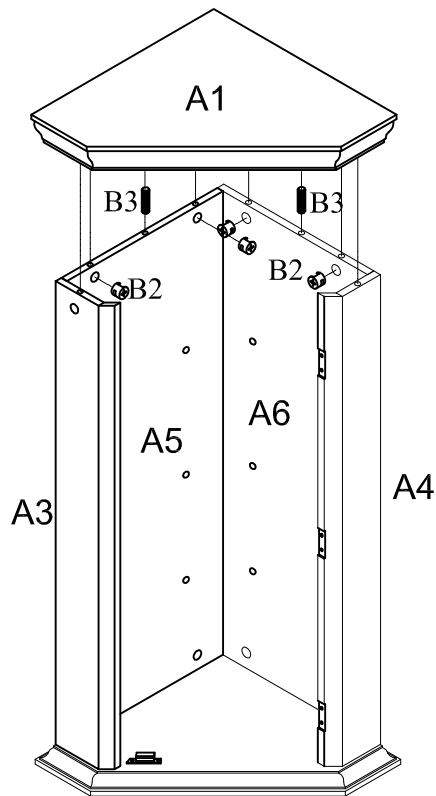
B2 :		6pcs
B3 :		2pcs



Assemble Front Side Panels A3&A4, Back Side Panels A5&A6 to Bottom Panel A2 using Camlocks B2 and Wood Dowels B3.

Step 4

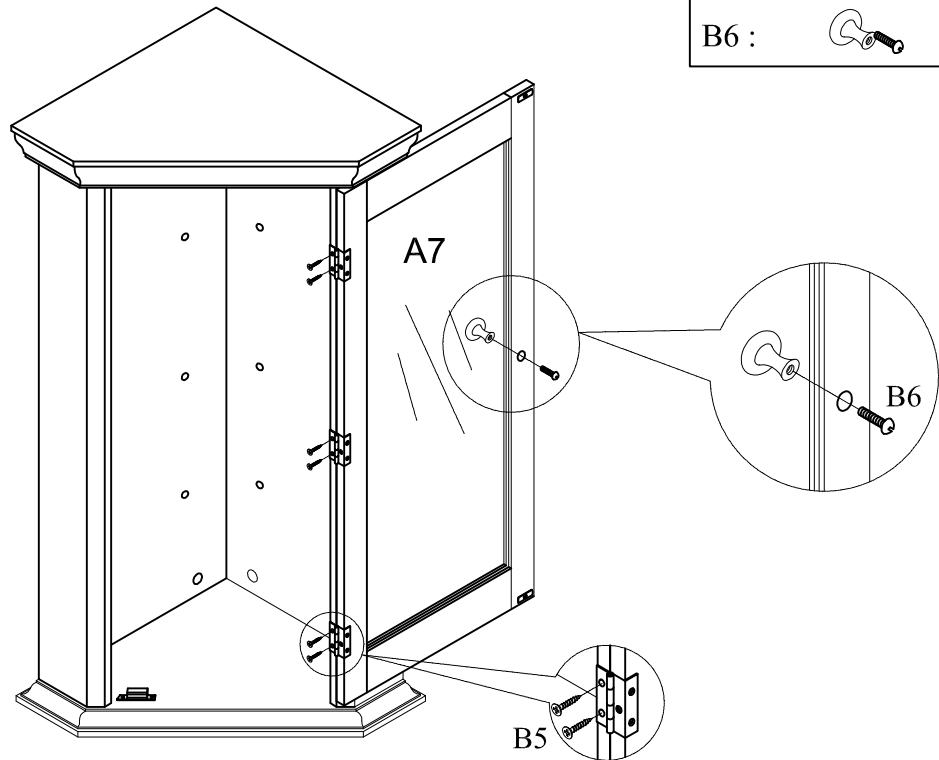
B2 :		6pcs
B3 :		2pcs



Assemble Top Panel A1 to Front Side Panels A3&A4, Back Side Panels A5&A6 using Camlocks B2 and Wood Dowels B3.

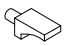
Step 5

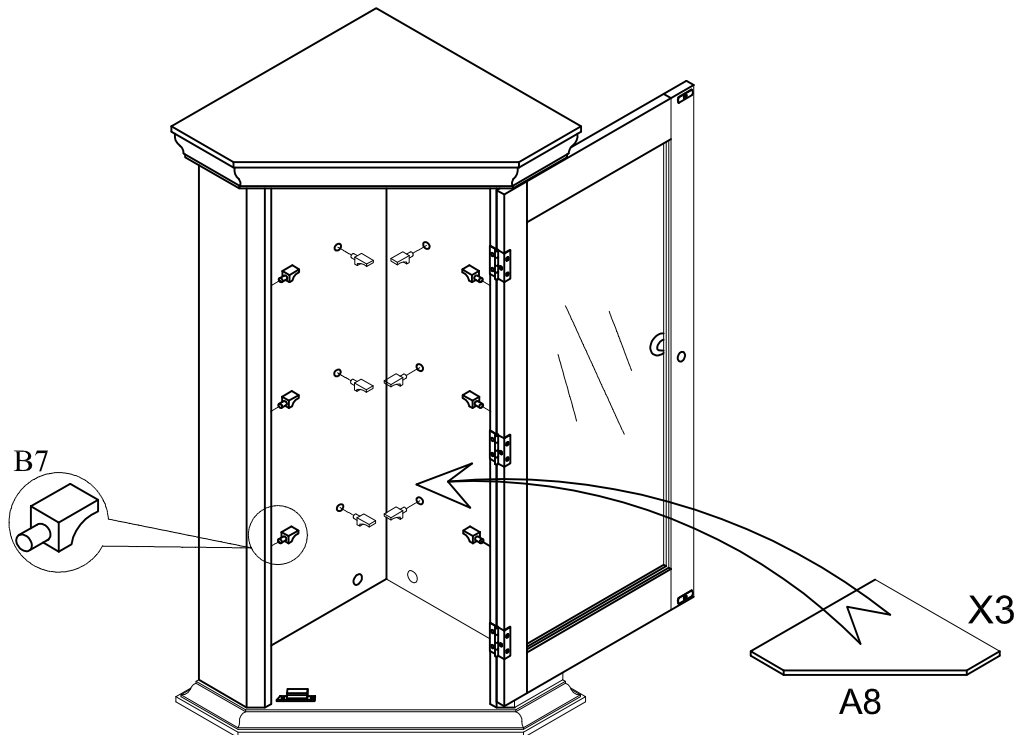
B5:		6pcs
B6 :		1set



- 1). Assemble Door A7 to Front Right Side Panel A4 using Screws B5.
- 2). Attach Knob B6 to Door A7 using included bolts.


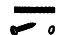
Step 6

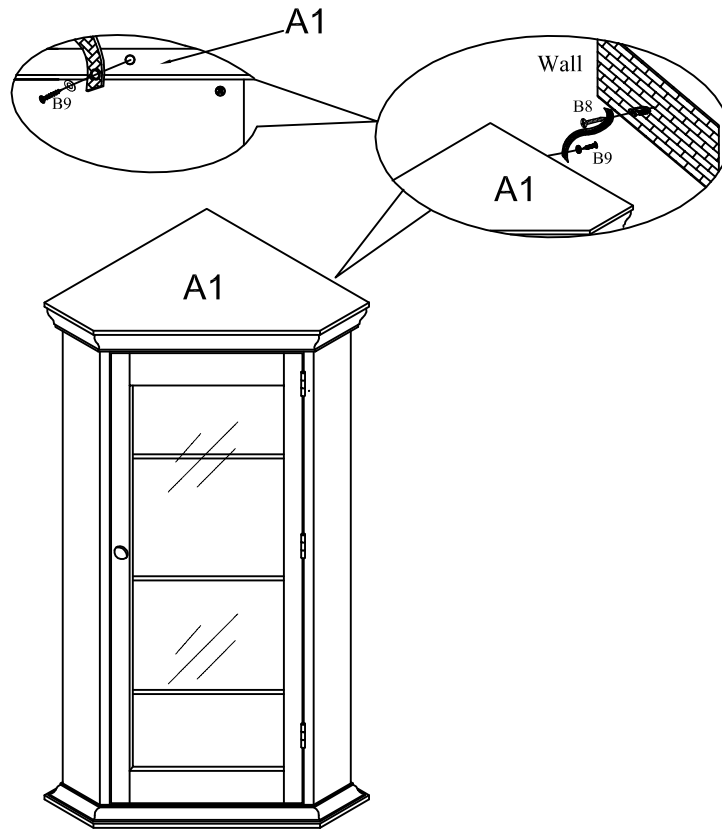
B7 :		12pcs
------	---	-------



Insert Shelf Supports B7 into the holes on the Front&Back Side Panels (A3&A4&A5&A6), then place Shelf Panels A8 onto Shelf Supports B7.

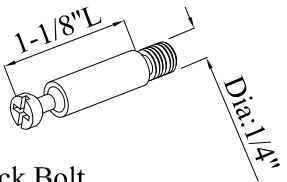
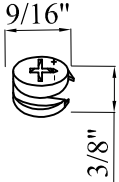
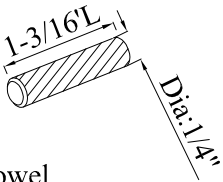
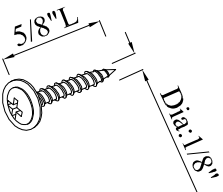
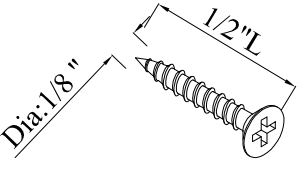
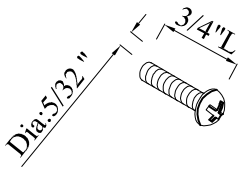
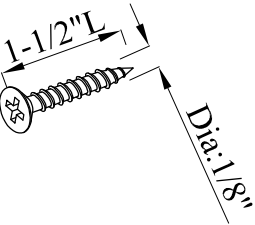
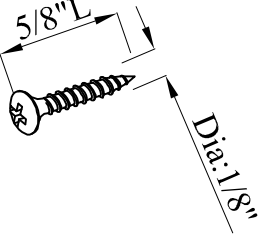
Step 7

B8:		1set
B9:		1set



For your safety, please attach the unit to the wall by Anchor with screw B8 and Anti-tip kit B9.

APPENDIX: Dimension of Hardwares in this AI.

<p>B1.</p>  <p>Camlock Bolt</p>	<p>B2.</p>  <p>Camlock</p>	<p>B2.</p>  <p>Wood Dowel</p>
<p>B4.</p>  <p>Screw</p>	<p>B5.</p>  <p>Screw</p>	<p>B6.</p>  <p>Handle Bolt</p>
<p>B8.</p>  <p>Screw</p>	<p>B9.</p>  <p>Screw</p>	