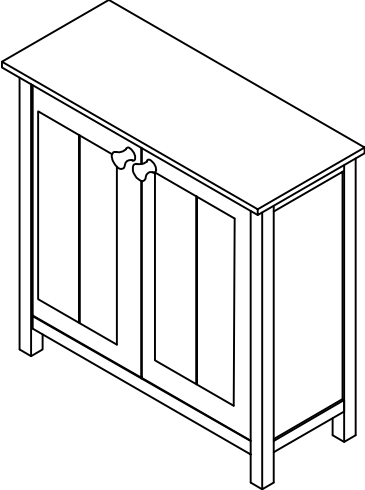

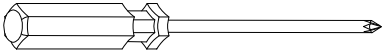
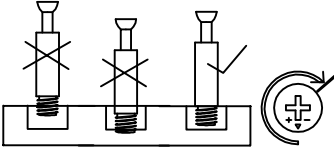
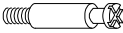

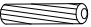


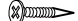

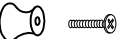




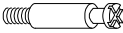

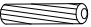


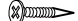

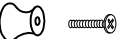




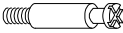

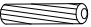


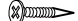

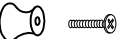




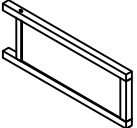
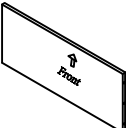
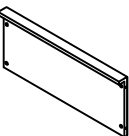

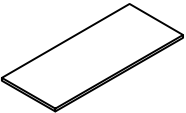
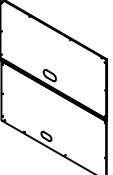
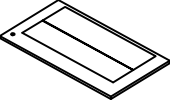
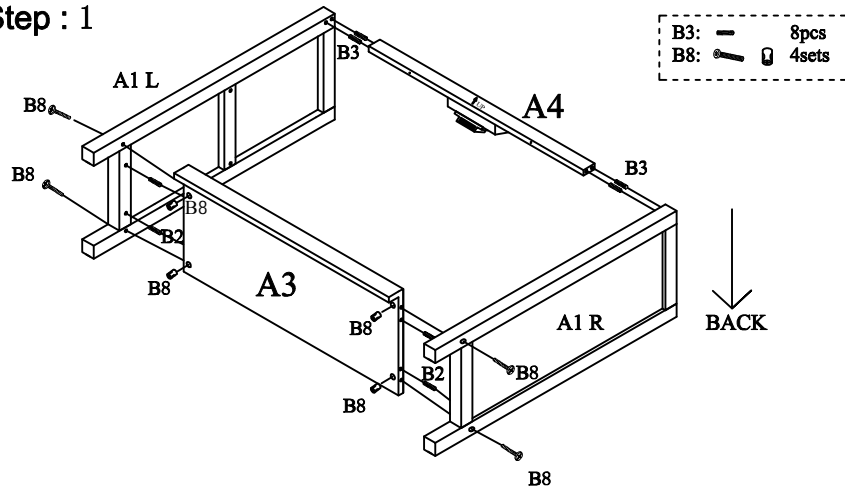


Assembly Instructions	Tools Required	Hardware Provided																																												
<p style="text-align: center;">Style # K1342 kitchen Cabinet</p>  <p>Please read carefully the instructions sheet before assembling this item. It is recommended that this item should be assembled by two adults.</p>	<div style="text-align: center;">   <b>ALLEN WRENCH INCLUDED</b> </div> <div style="text-align: center;">   <b>Phillips screwdriver</b> </div> <hr/> <div style="text-align: center;">   <p>Note: Please don't over tighten the cam screws. Assure the cam screws properly fits into the plastic threaded insert. Otherwise the cam nut might not be able to catch the cam screws.</p> </div>	<table border="0"> <tr> <td>B1</td> <td></td> <td> cam lock bolts with nut</td> <td>4SETS</td> </tr> <tr> <td>B2</td> <td></td> <td>wood dowel</td> <td>8PCS</td> </tr> <tr> <td>B3</td> <td></td> <td>Small wood dowel</td> <td>4PCS</td> </tr> <tr> <td>B4</td> <td></td> <td>Shelf Peg</td> <td>4PCS</td> </tr> <tr> <td>B5</td> <td></td> <td>Wood screw</td> <td>2PCS</td> </tr> <tr> <td>B6</td> <td></td> <td>small wood screw</td> <td>16PCS</td> </tr> <tr> <td>B7</td> <td></td> <td>Knob with machine screw</td> <td>2SETS</td> </tr> <tr> <td>B8</td> <td></td> <td>Machine bolt with nut</td> <td>4SETS</td> </tr> <tr> <td>B9</td> <td></td> <td>Wood Button</td> <td>4PCS</td> </tr> <tr> <td>B10</td> <td></td> <td>Magent hardware</td> <td>1SET</td> </tr> <tr> <td>B11</td> <td></td> <td>Small wood screw</td> <td>8PCS</td> </tr> </table>	B1		 cam lock bolts with nut	4SETS	B2		wood dowel	8PCS	B3		Small wood dowel	4PCS	B4		Shelf Peg	4PCS	B5		Wood screw	2PCS	B6		small wood screw	16PCS	B7		Knob with machine screw	2SETS	B8		Machine bolt with nut	4SETS	B9		Wood Button	4PCS	B10		Magent hardware	1SET	B11		Small wood screw	8PCS
B1		 cam lock bolts with nut	4SETS																																											
B2		wood dowel	8PCS																																											
B3		Small wood dowel	4PCS																																											
B4		Shelf Peg	4PCS																																											
B5		Wood screw	2PCS																																											
B6		small wood screw	16PCS																																											
B7		Knob with machine screw	2SETS																																											
B8		Machine bolt with nut	4SETS																																											
B9		Wood Button	4PCS																																											
B10		Magent hardware	1SET																																											
B11		Small wood screw	8PCS																																											

### Furniture Parts

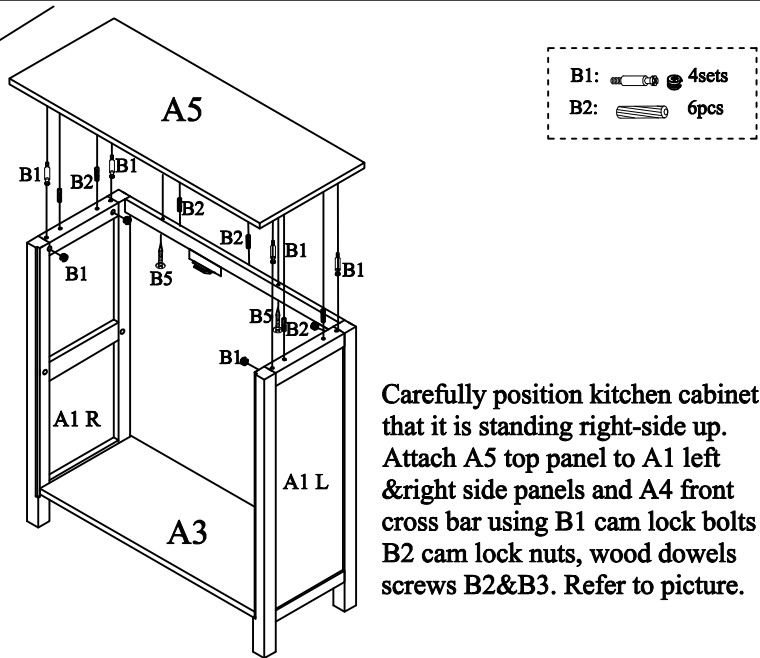
 <b>A1 L&amp;R 2PCS</b> Side Panel	 <b>A2 1PCS</b> Middle Shelf	 <b>A3 1PCS</b> Bottom Panel	 <b>A4 1PCS</b> Front Bar	 <b>A5 1PCS</b> Top Panel
 <b>A6 1PCS</b> Back Panel		 <b>A7 L&amp;R 2PCS</b> Door		

### Step : 1



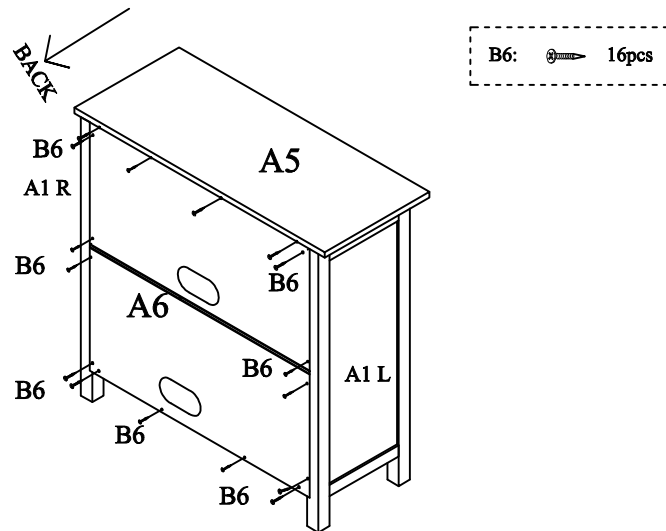
- 1). Attach A3 bottom panel to A1 left side panel using B8 machine screws and nuts & B2 wood dowels as shown.
- 2). Attach A4 front bar to A1 left side panel using B3 small wood dowels.
- 3). Repeat above (1) & (2) with A1 right side panel.

### Step : 2



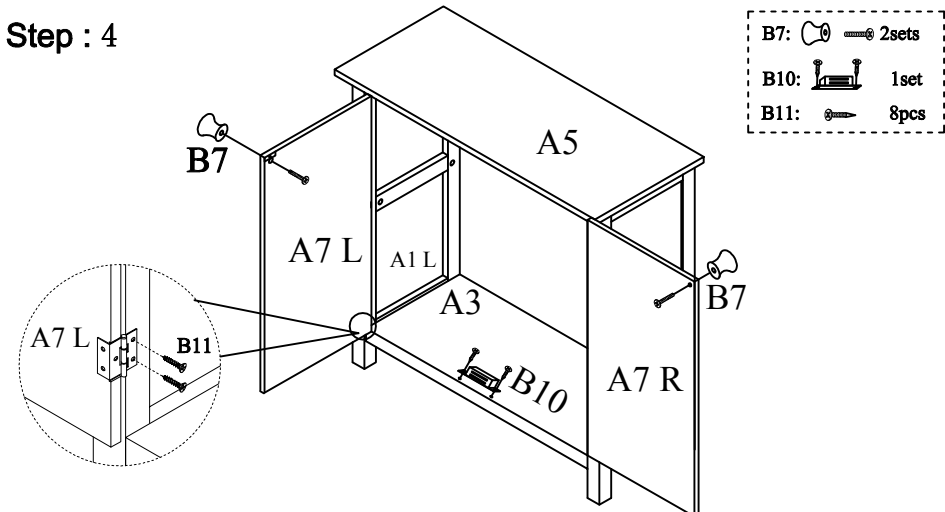
Carefully position kitchen cabinet so that it is standing right-side up. Attach A5 top panel to A1 left & right side panels and A4 front cross bar using B1 cam lock bolts & B2 cam lock nuts, wood dowel screws B2&B3. Refer to picture.

### Step : 3



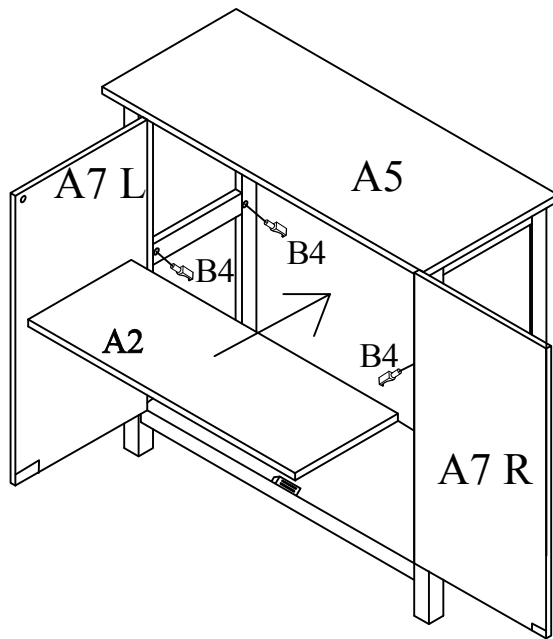
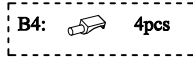
Attach A6 back panel to A1 left & right side panels using B6 small wood screw.

### Step : 4



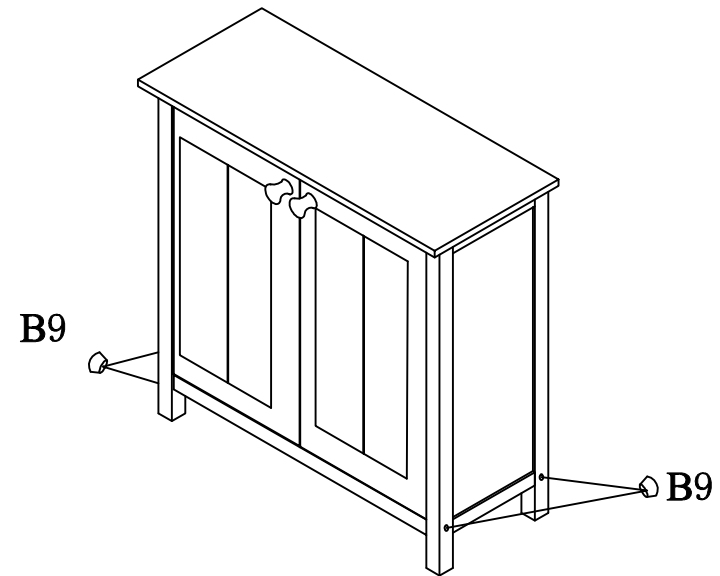
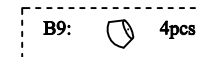
- 1). Attach A7 left & right doors to A1 left & right side panels using B11 small wood screws.
- 2). Attach B7 knobs to A7 doors using the machine screw included in the set.
- 3). Attach B10 magnet hardware to A3 bottom panel using the screws included in the set. For placement, refer to picture.

**Step : 5**



Insert B4 shelf pegs in pre-drilled holes on the inside of A1 left & right side panels. Carefully slide A2 middle shelf into the stand so that it rests level on B4 shelf pegs.

**Step : 6**



Carefully hammer B9 wood buttons on to A1 left & right side panels to cover up hardware.

Note : Too much force can cause damage to the wood button or kitchen cabinet.