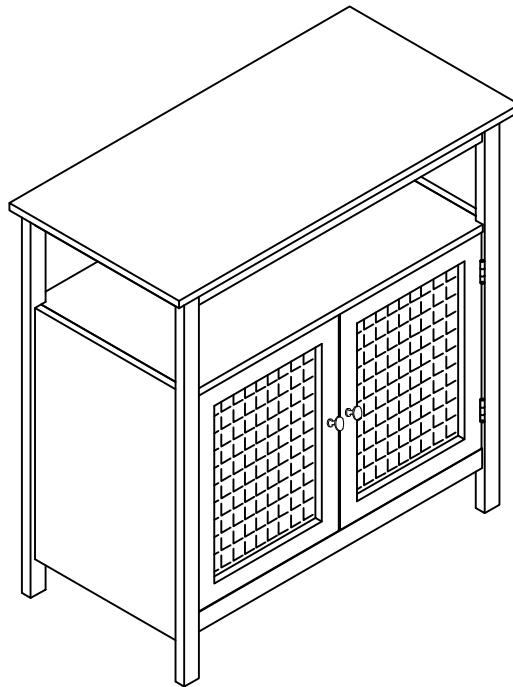


ASSEMBLY INSTRUCTIONS

Style# K06 Kitchen Cabinet



NOTE TO CUSTOMERS:

- For ease and speed of assembly we recommend that before you commence each step of the assembly that you identify all the parts required to complete that step.
- We recommend that where possible you allow sufficient space to assemble the item as close as possible to the place where it will be once assembled.
- For the protection of your furniture we recommend that the product is placed on protected surfaces during assembly to prevent any damage.
- During assembly do not over tighten, as this may damage the product.
- Please ensure you retain all the product packaging until the item completely assembled.
- Please periodically check all fittings and re-tighten as necessary.
- Never allow any liquids to remain on your furniture as absorption can cause the wood to warp or the finish to de-laminate.
- It is recommended that this item should be assembled by two adults.

To insert a cam lock: (Please read below instructions before assembling)

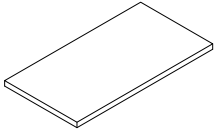
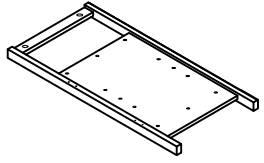
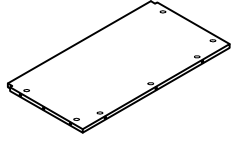
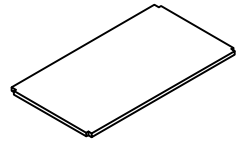
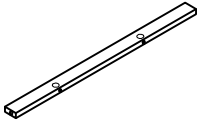
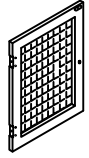
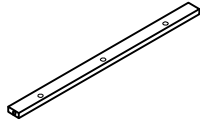
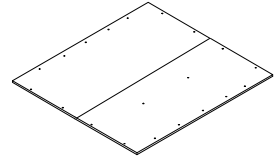
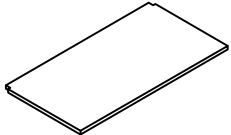
	<p style="text-align: center;">Diagram A</p>	<p>1. Insert cam screw into hole as shown in diagram A .</p>
	<p style="text-align: center;">Diagram B</p>	<p>Make sure not to insert the cam screw: Too deep as shown in figure B as this will cause the cam screw to be misaligned and unable to interlock properly.</p>
	<p style="text-align: center;">Diagram C</p>	<p>Also avoid inserting the cam screw too close to the surface of the hole as shown in figure C, as this will cause the cam lock to be too loose, and not interlock properly.</p>

	<p>2. Connect the panels together.</p>
	<p>3. When inserting the cam lock make sure the arrow of the cam lock faces the cam screw.</p>
	<p>4. To tighten the cam lock turn the cam lock clockwise 90-180 degree or until the arrow is facing opposite the place cam lock was inserted.</p> <p>NOTE: DO NOT USE AN AUTOMATIC SCREWDRIVER TO TIGHTEN CAM LOCKS.</p>

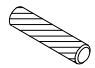
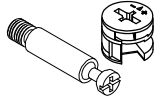
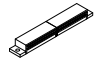




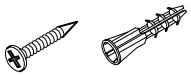
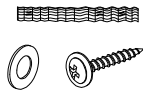
Note:

- Read these instructions carefully before assembling.
- Tools required : Phillips screwdriver, flat screwdriver.
- Find a clean, smooth area on which to work , such as a carpet, in order to avoid scratching the wood surfaces.
- Wait to dispose of the packing material until assembly is complete and all parts and hardware are accounted for.
- Two or more people might be required for assembly.

Part List

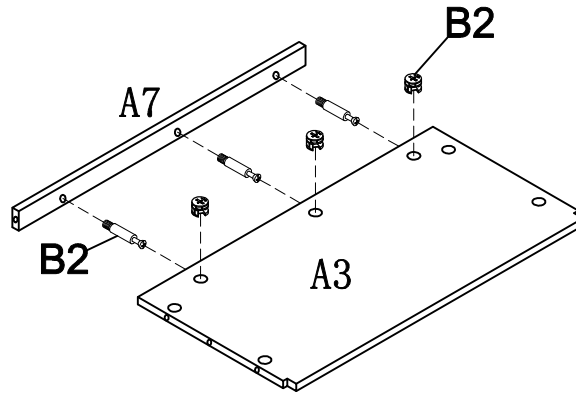
<p>A1</p> <p style="text-align: center;">Quantity of 1</p>  <p>Top Panel</p>	<p>A2</p> <p style="text-align: center;">Quantity of 2</p>  <p>Side Panel (L&R)</p>	<p>A3</p> <p style="text-align: center;">Quantity of 1</p>  <p>Bottom Panel</p>	<p>A4</p> <p style="text-align: center;">Quantity of 1</p>  <p>Shelf</p>
<p>A5</p> <p style="text-align: center;">Quantity of 1</p>  <p>Cross Bar</p>	<p>A6</p> <p style="text-align: center;">Quantity of 2</p>  <p>Door (L&R)</p>	<p>A7</p> <p style="text-align: center;">Quantity of 1</p>  <p>Apron</p>	<p>A8</p> <p style="text-align: center;">Quantity of 1</p>  <p>Back Panel</p>
<p>A9</p> <p style="text-align: center;">Quantity of 1</p>  <p>Adjustable Shelf</p>			

Hardware List

<p>B1</p> <p style="text-align: center;">Quantity of 8</p>  <p>Wood Dowel</p>	<p>B2</p> <p style="text-align: center;">Quantity of 17</p>  <p>Cam-Lock</p>	<p>B3</p> <p style="text-align: center;">Quantity of 1</p>  <p>Magnet</p>	<p>B4</p> <p style="text-align: center;">Quantity of 4</p>  <p>Hinge with Screw</p>
<p>B5</p> <p style="text-align: center;">Quantity of 20</p>  <p>Screw</p>	<p>B6</p> <p style="text-align: center;">Quantity of 2</p>  <p>Door Knob with Bolt</p>	<p>B7</p> <p style="text-align: center;">Quantity of 4</p>  <p>Shelf Support</p>	<p>B8</p> <p style="text-align: center;">Quantity of 1</p>  <p>Anchor with Screw</p>
<p>B9</p> <p style="text-align: center;">Quantity of 1</p>  <p>Anti-tip kit</p>			






STEP 1

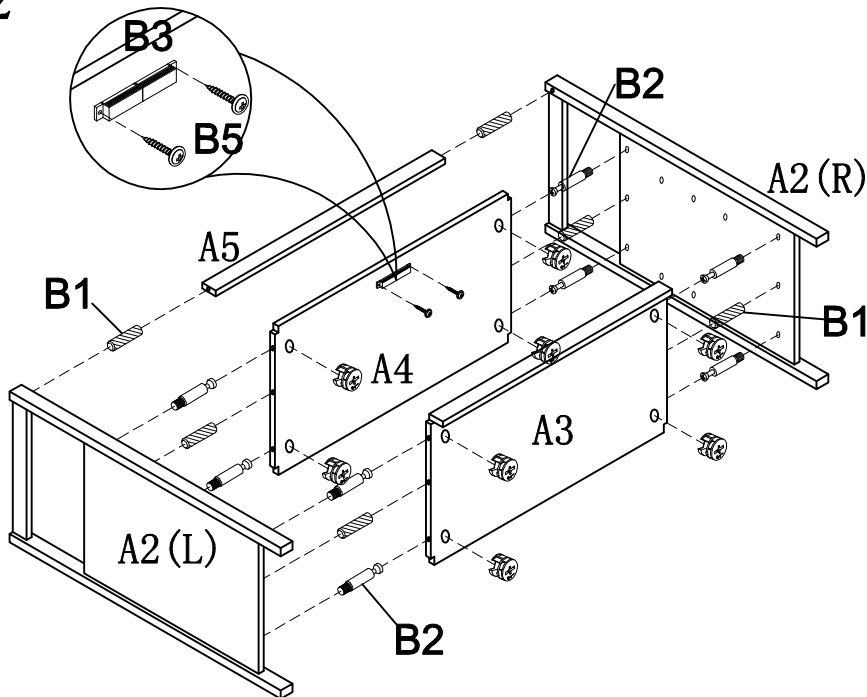
B2   3sets



Assemble Apron A7 to Bottom Panel A3 using Camlocks B2.

STEP 2

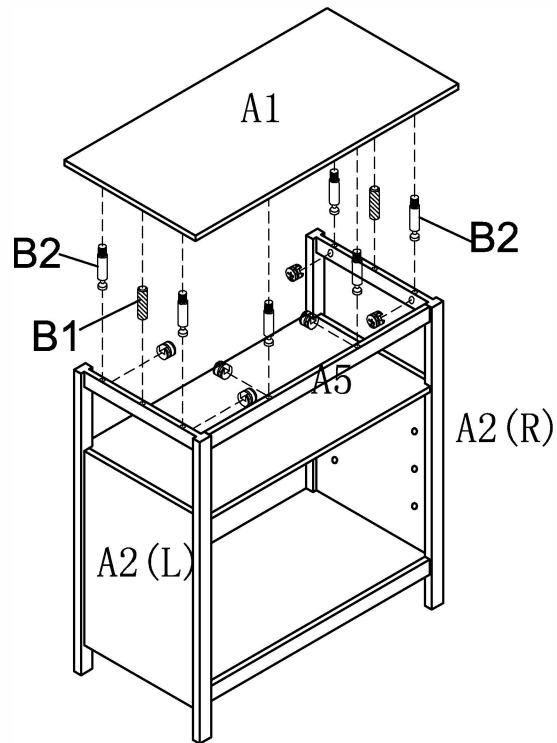
B1  6pcs
B2   8sets
B3  1pc
B5  2pcs


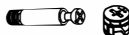


Attach Magnet B3 to Shelf A4 using Screw B5.

Assemble Side Panels A2 to Bottom Panel A3, Shelf A4 and Cross Bar A5 using Wood Dowels B1 and Camlocks B2.

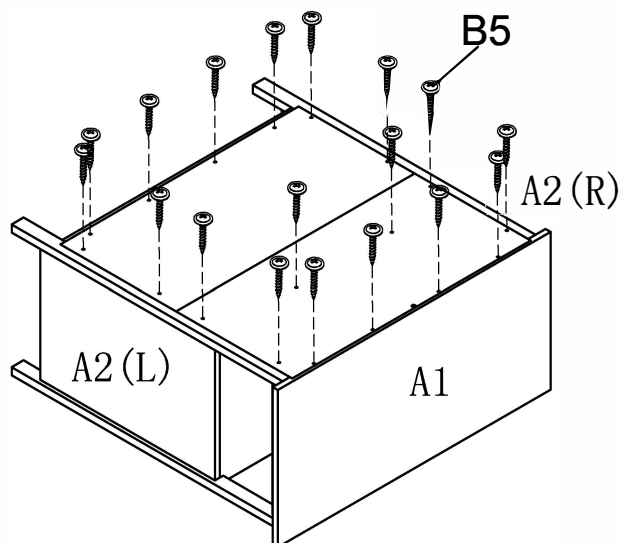
STEP 3



B1  2pcs
B2  6sets

Assemble Top Panel A1 to Side Panels A2 and Cross Bar A5 using Wood Dowels B1 and Camlocks B2.

STEP 4

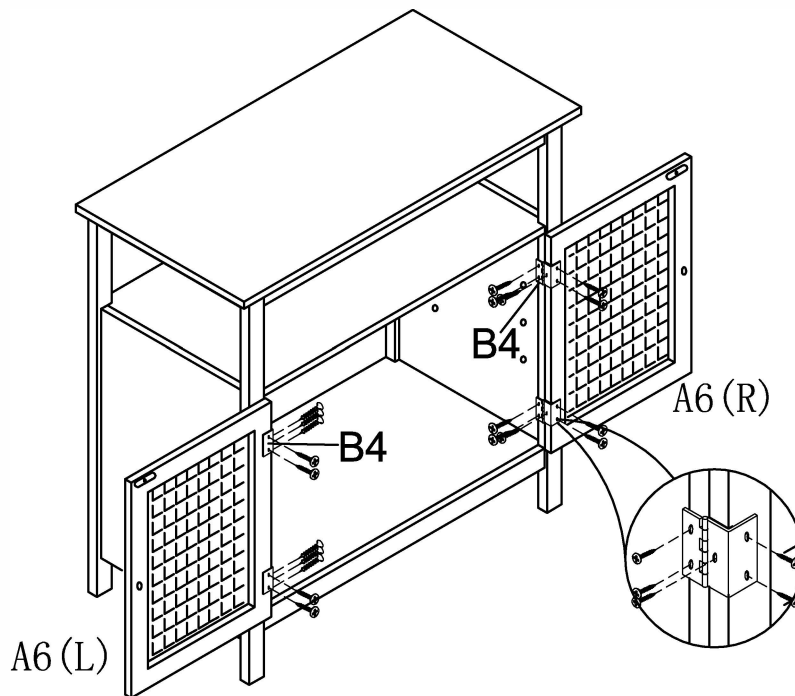


B5  18pcs

Attach Back Panel A8 to the back of unit using Screws B5.

STEP 5

B4  4sets

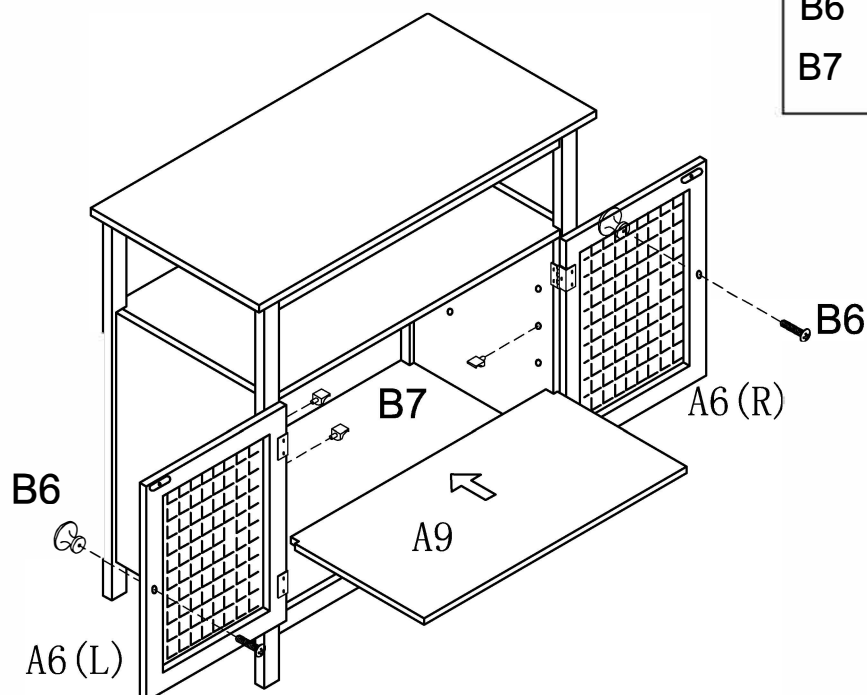


Assemble Doors A6 to Side Panels A2 using Hinge with Screws B4.

STEP 6

B6  2sets

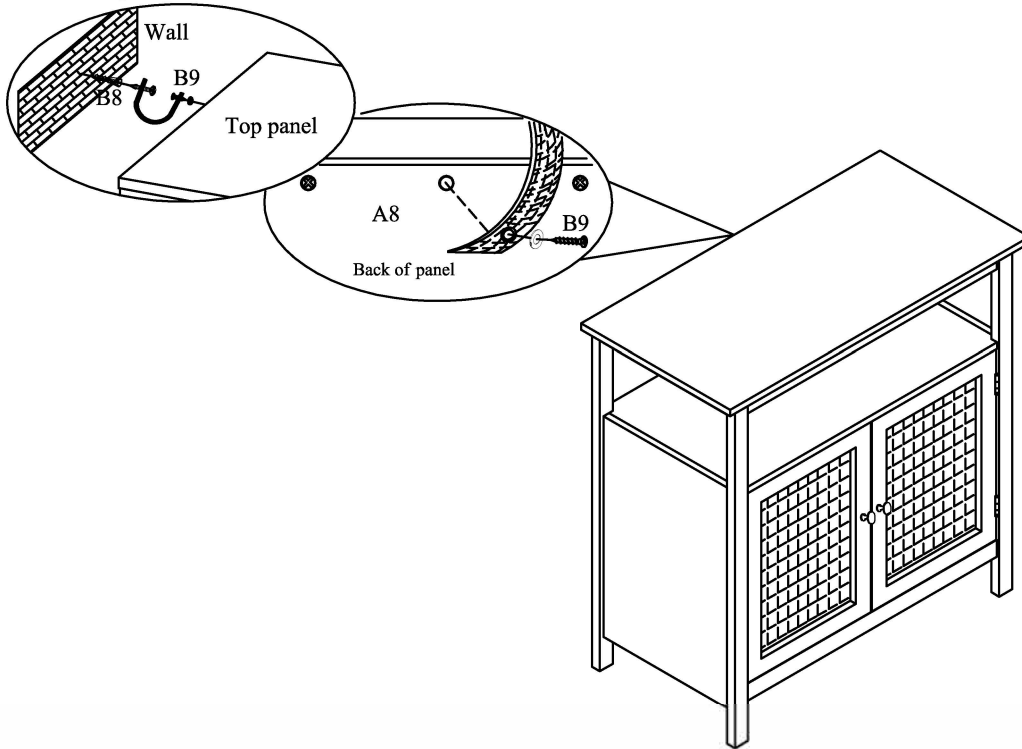
B7  4pcs



Insert Shelf Supports B7 into the holes of Side Panels A2, then place shelf A9 onto Shelf Supports B7.

Assemble Door Knobs B6 to Doors A6 using included Bolts.

STEP 7



B8		1pc
B9		1pc

For your safety, please attach unit to the wall by Anchor with screw B8 and Anti-tip kit B9.

APPENDIX: Dimension of Hardwares in this AI.

<p>B1</p> <p>Wood Dowel</p>	<p>B2</p> <p>Cam-bolt</p>	<p>B4</p> <p>Cam-Lock</p>	<p>B4</p> <p>Screw</p>
<p>B5</p> <p>Screw</p>	<p>B6</p> <p>Bolt</p>	<p>B8</p> <p>Screw</p>	<p>B9</p> <p>Screw</p>