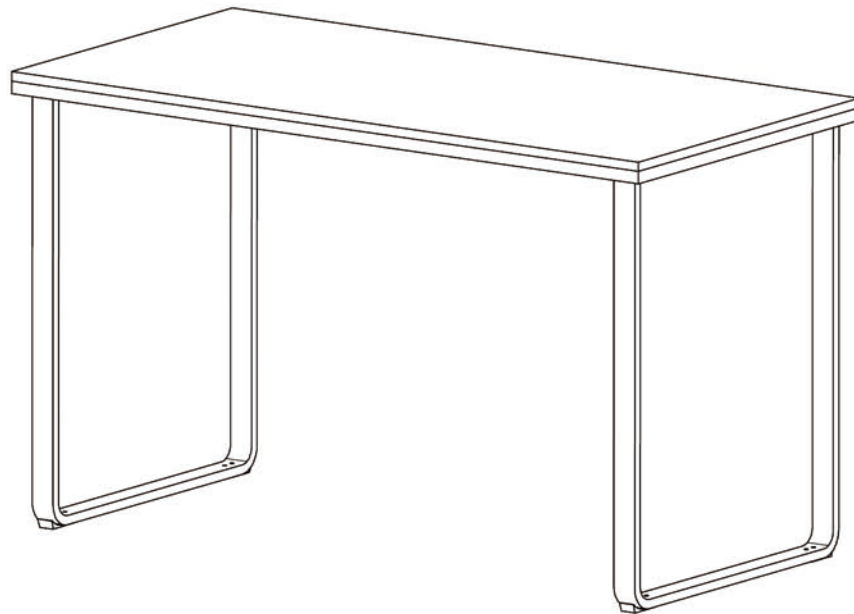


# Assembly Instructions

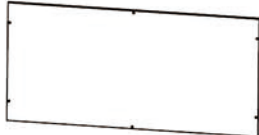
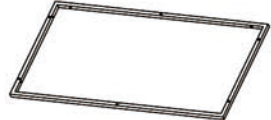

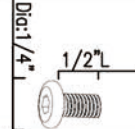



## ITEM NO:H02597

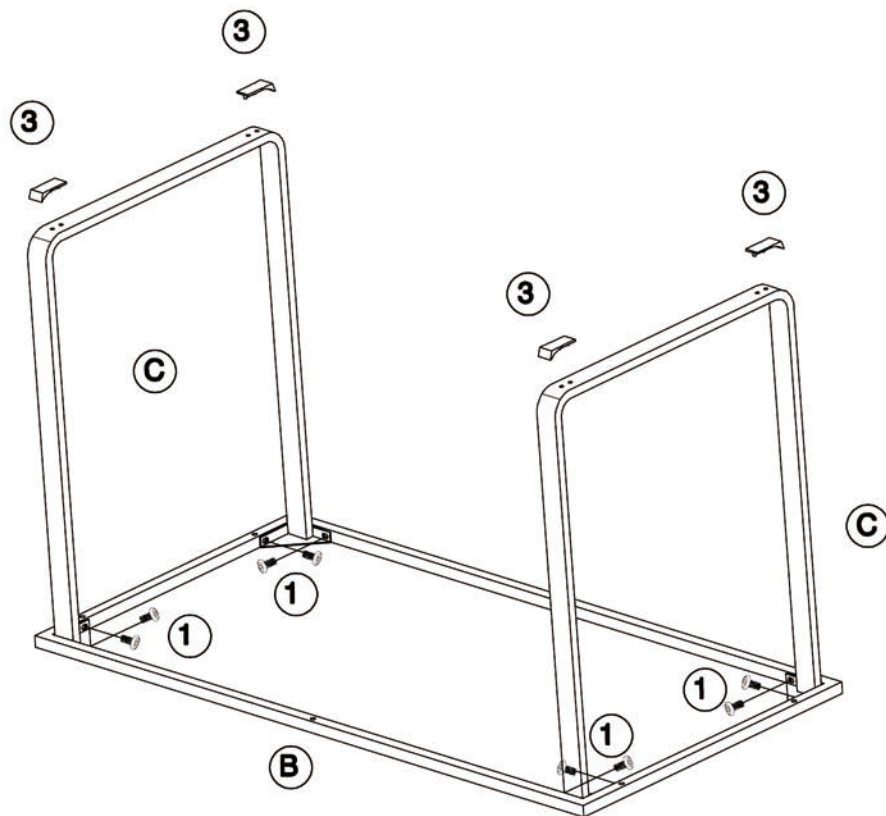


- 1.It is recommended that 2 adults assemble this desk.
- 2.Do not tighten any bolts or nuts before all bolts & nuts are in assembled position.
- 3.Please check the bolts regularly.
- 4.Spot Clean with soft damp cloth.
- 5.Keep the instruction manuel for future use.

**MADE IN CHINA**

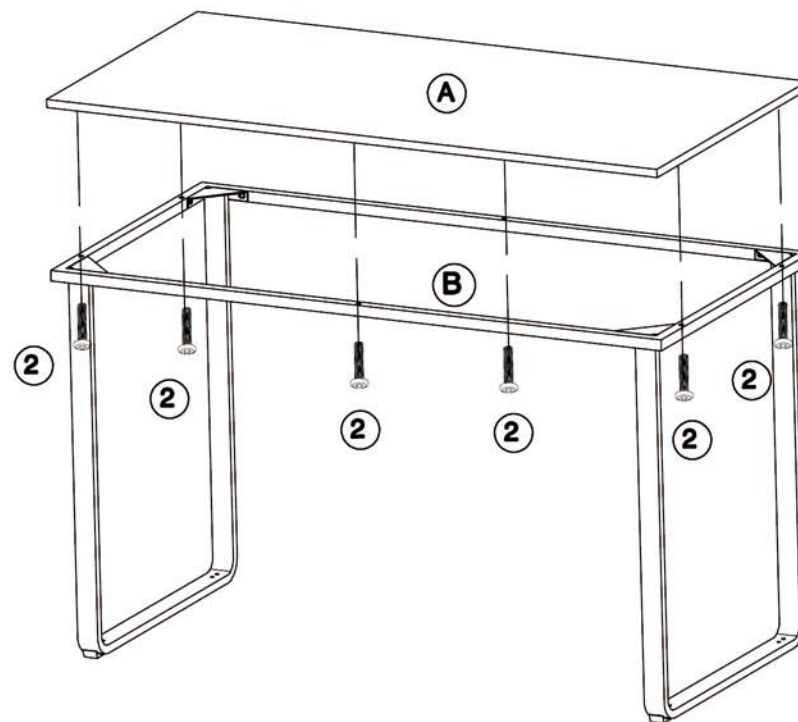
## Parts List

Parts ID	image	description	qty
Ⓐ		Table Top	1
Ⓑ		Metal Frame	1
Ⓒ		Desk Leg	2
<b>Hardware Parts</b>			
①		Bolt <b>M6x12mm</b>	8
②		Bolt <b>M6x30mm</b>	6
③		Plastic Protector	4
④		Allen Key	1

**1**

**Step#1:**  
 Attach Desk leg (C) to metal frame (B) by  
 Using Bolt (1). (Do the same for both sides)

**Step#2:**  
 Insert plastic protector (3) into hole at the  
 left/right side of table leg (C) **① X8**

**2**

**Step#2:**  
 Attach table top (A) to Metal frame (B) using  
 Bolt (2)

**② X6**