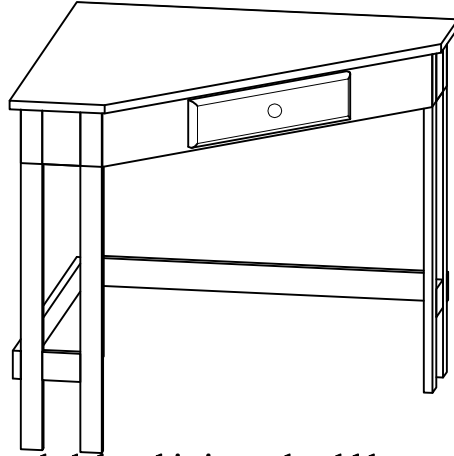


Assembly Instructions

Style # H0250BL&H0260W
Corner desk



It is recommended that this item should be assembled by two adults.

Tools Required



Phillips screwdriver

Hardware Provided



B1 8SETS



B2 2SETS



B3 8PCS

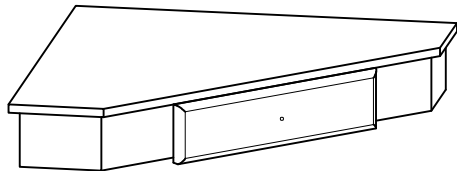


B4 4PCS

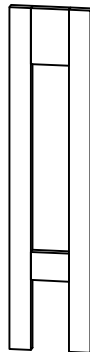


B5 1SET

Wooden Parts



A1 1PC
Top Apron



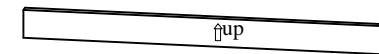
A2 (L&R)
2PCS Side Leg



A3 1PC
Back Leg

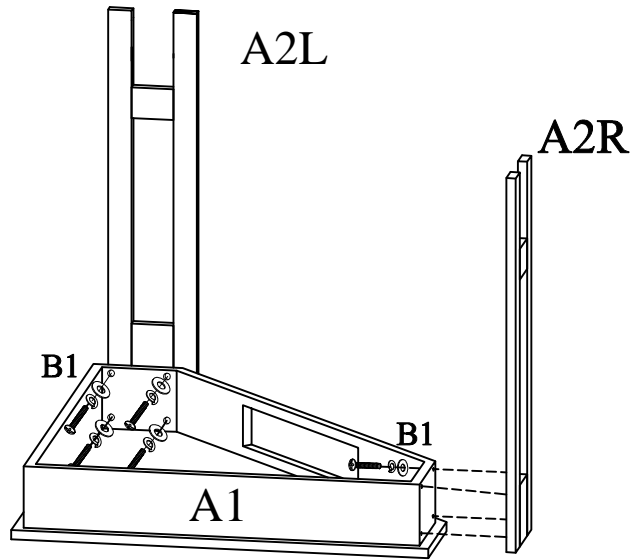


A4 1PC
Cross Bar



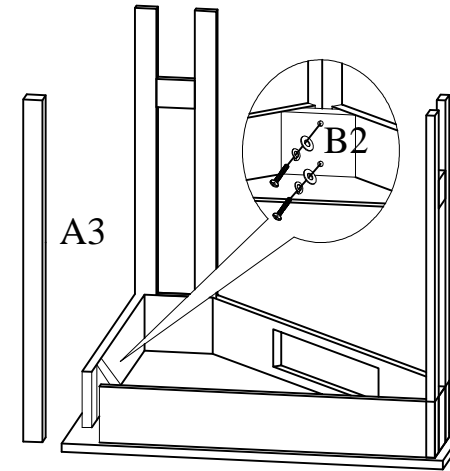
A5 1PC
Cross Bar

Step 1:



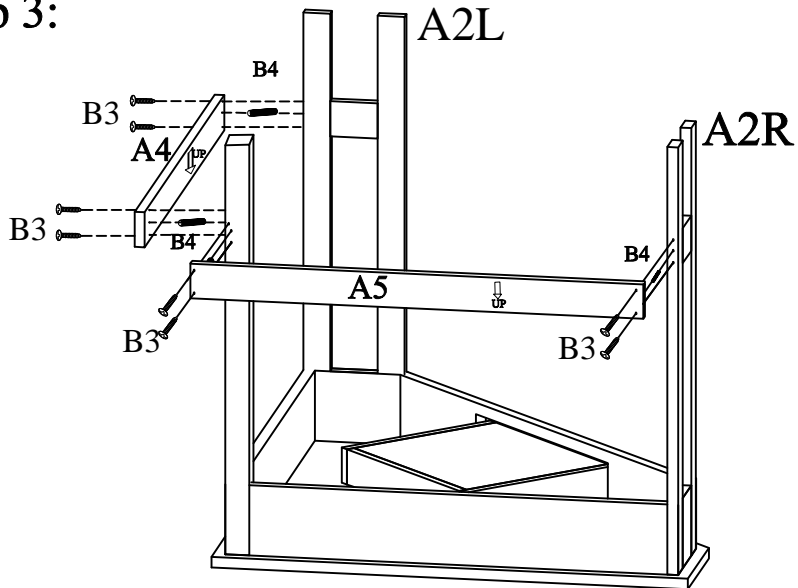
Assemble the side legs A2L & A2R to the top apron A1 using bolts & washers B1.

Step 2:



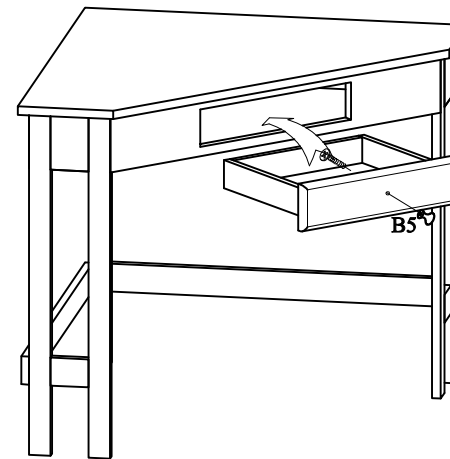
Assemble the back leg A3 to the top apron A1 using bolts & washers B2.

Step 3:



Assemble the cross bar A4 & A5 to the side legs A2L & A2R using screws B3 & wood dowels B4 as above drawing shown.

Step 4:



Screw the drawer knob B5 on the drawer, then put the drawer into table apron as above drawing shown.