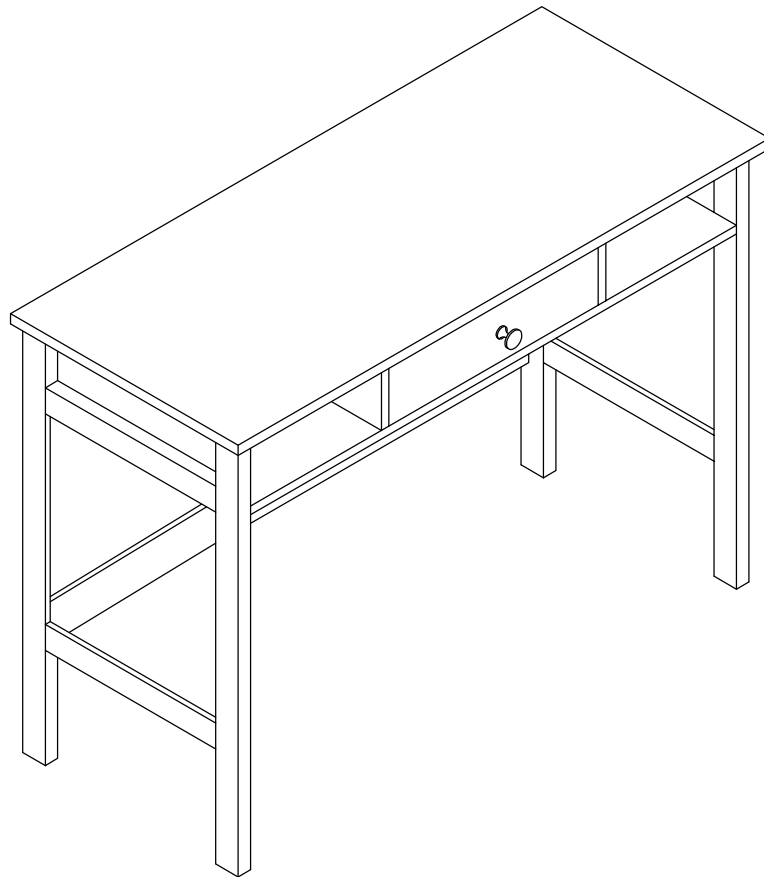


ASSEMBLY INSTRUCTIONS

Style # HO245 Desk



NOTE TO CUSTOMERS:

- For ease and speed of assembly we recommend that before you commence each step of the assembly that you identify all the parts required to complete that step.
- We recommend that where possible you allow sufficient space to assemble the item as close as possible to the place where it will be once assembled.
- For the protection of your furniture we recommend that the product is placed on protected surfaces during assembly to prevent any damage.
- During assembly do not over tighten, as this may damage the product.
- Please ensure you retain all the product packaging until the item completely assembled.
- Please periodically check all fittings and re-tighten as necessary.
- Please never allow any liquids to remain on your furniture as absorption can cause the wood to warp or finish to de-laminate.
- It is recommended that this item should be assembled by two adults.

To insert a cam lock: (Please read below instructions before assembling)

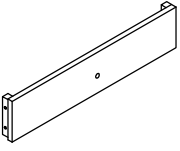
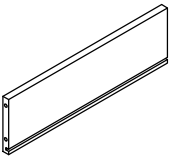
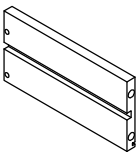
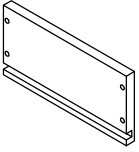
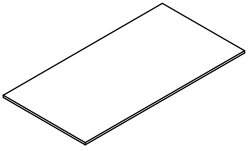
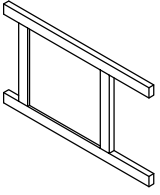
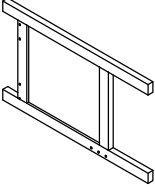
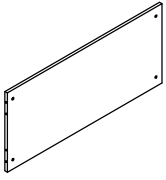
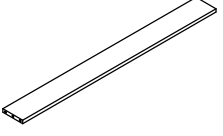
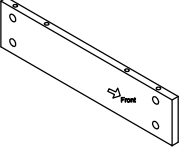
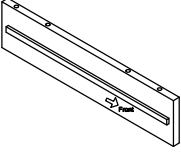
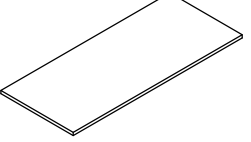
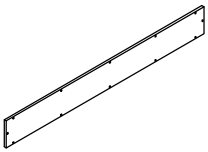
	<p>Diagram A</p>	<p>1. Insert cam screw into hole as shown in diagram A .</p>
	<p>Diagram B</p>	<p>Make sure not to insert the cam screw: Too deep as shown in figure B as this will cause the cam screw to be misaligned and unable to interlock properly.</p>
	<p>Diagram C</p>	<p>Also avoid inserting the cam screw too close to the surface of the hole as shown in figure C, as this will cause the cam lock to be too loose, and not interlock properly.</p>

	<p>2. Connect the panels together.</p>
	<p>3. When inserting the cam lock make sure the arrow of the cam lock faces the cam screw.</p>
	<p>4. To tighten the cam lock turn the cam lock clockwise 90-180 degree or until the arrow is facing opposite the place cam lock was inserted.</p> <p>NOTE: DO NOT USE AN AUTOMATIC SCREWDRIVER TO TIGHTEN CAM LOCKS.</p>


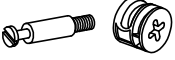
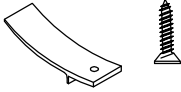
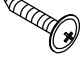


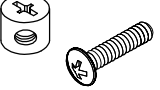
Note:

- Read these instructions carefully before assembling.
- Tools required : Phillips screwdriver, flat screwdriver.
- Find a clean, smooth area on which to work , such as a carpet, in order to avoid scratching the wood surfaces.
- Wait to dispose of the packing material until assembly is complete and all parts and hardware are accounted for.
- Two or more people might be required for assembly.

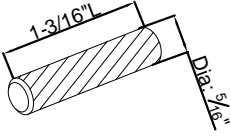
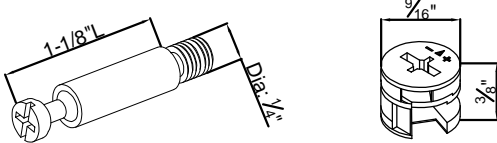
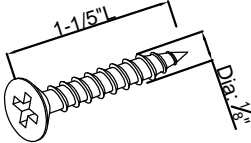
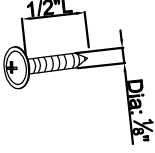
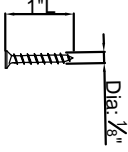
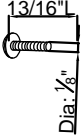
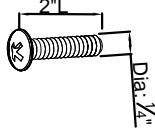
Part List

<p>A1. Quantity of 1</p>  <p>Drawer front panel</p>	<p>A2. Quantity of 1</p>  <p>Drawer back panel</p>	<p>A3. Quantity of 1</p>  <p>Drawer left side panel</p>	<p>A4. Quantity of 1</p>  <p>Drawer right side panel</p>
<p>A5. Quantity of 1</p>  <p>Drawer bottom Panel</p>	<p>A6. Quantity of 1</p>  <p>Left side frame</p>	<p>A7. Quantity of 1</p>  <p>Right side frame</p>	<p>A8. Quantity of 1</p>  <p>Bottom panel</p>
<p>A9. Quantity of 1</p>  <p>Across Bar</p>	<p>A10. Quantity of 1</p>  <p>Divider</p>	<p>A11. Quantity of 1</p>  <p>Divider</p>	<p>A12. Quantity of 1</p>  <p>Top panel</p>
<p>A13. Quantity of 1</p>  <p>Back panel</p>			

Hardware List

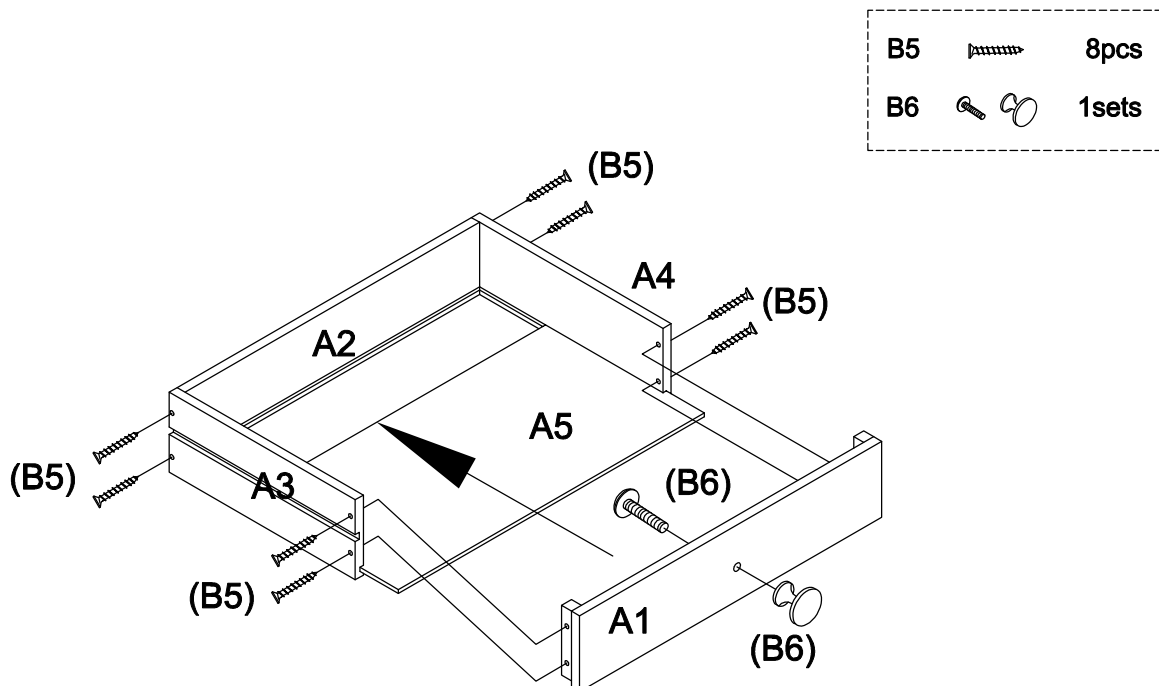
<p>B1. Quantity of 14</p>  <p>Wood Dowel</p>	<p>B2. Quantity of 16</p>  <p>Camlock</p>	<p>B3. Quantity of 1</p>  <p>Stopper</p>	<p>B4. Quantity of 12</p>  <p>Screw</p>
<p>B5. Quantity of 8</p>  <p>Screw</p>	<p>B6. Quantity of 1</p>  <p>Drawer Knob</p>	<p>B7. Quantity of 4</p>  <p>Bolt with Nut</p>	

APPENDIX: Dimension of Hardwares in this AI.

<p>B1.</p> 	<p>B2.</p> 		<p>B3.</p> 
<p>B4.</p> 	<p>B5.</p> 	<p>B6.</p> 	<p>B7.</p> 

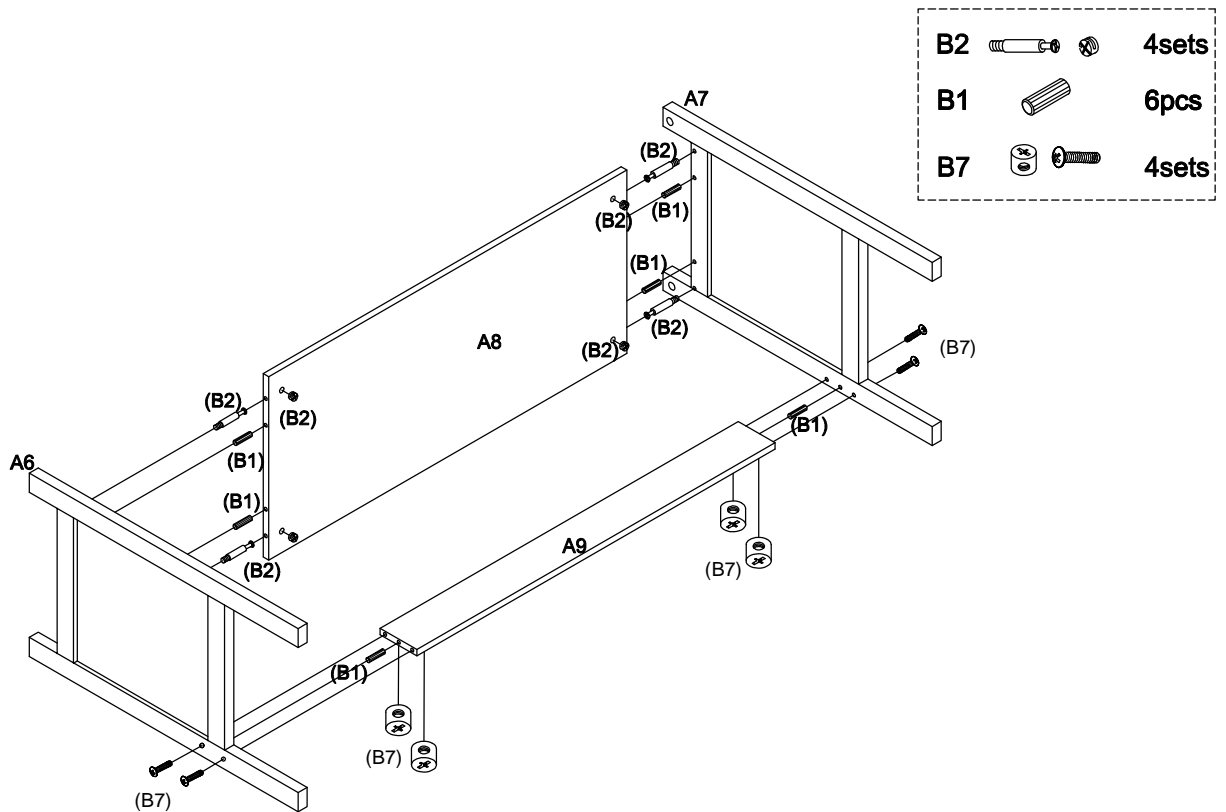
STEP 1

- Attach Drawer side panels (A3 & A4) to Back panel (A2) using Screws (B5).
- Insert Drawer bottom panel (A5) into the grooves of Side panels (A3 & A4) and Back panel (A2).
- Attach Drawer front panel (A1) to Drawer side panels (A3 & A4) using Screws (B5).
- Attach Drawer Knob (B6) onto Drawer front panel (A1) with included bolt.



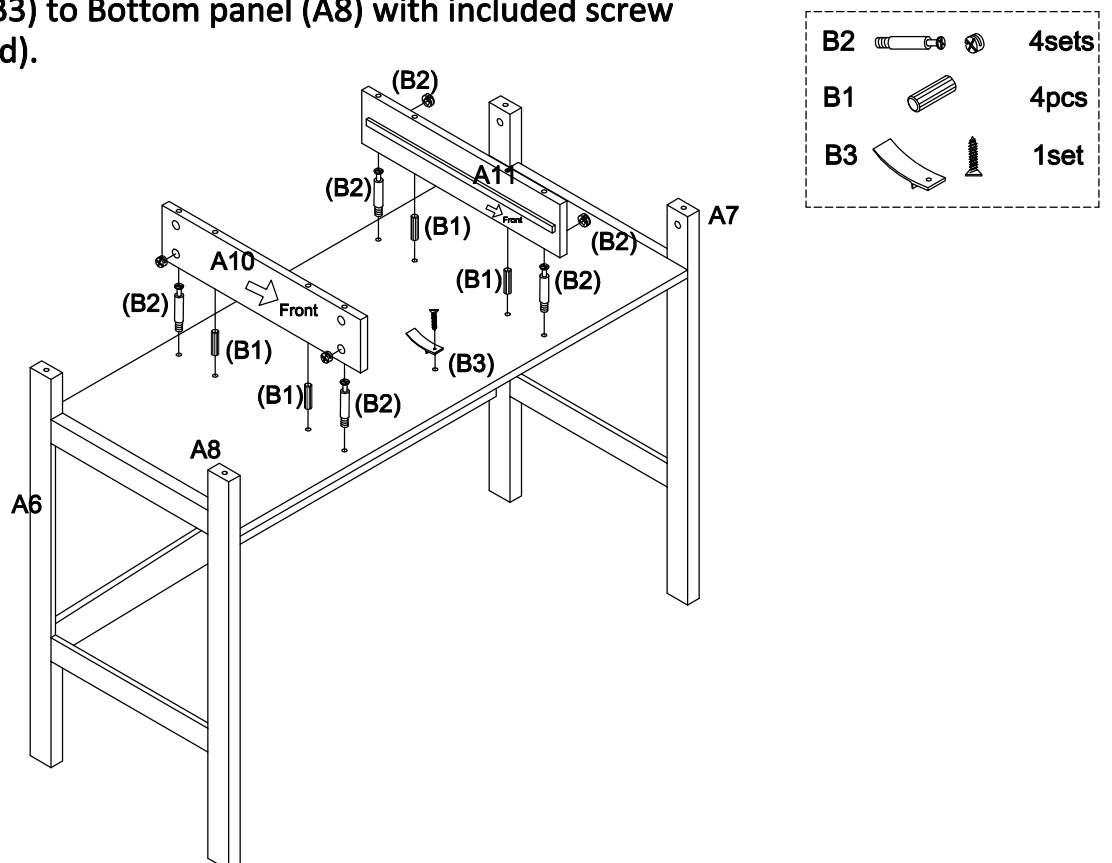
STEP 2

- Assemble Bottom panel (A8) and Across bar (A9) to Side frames (A6 & A7) using Wood Dowels (B1) & Camlocks(B2) & Bolt with Nuts (B7).



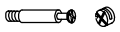
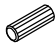
STEP 3

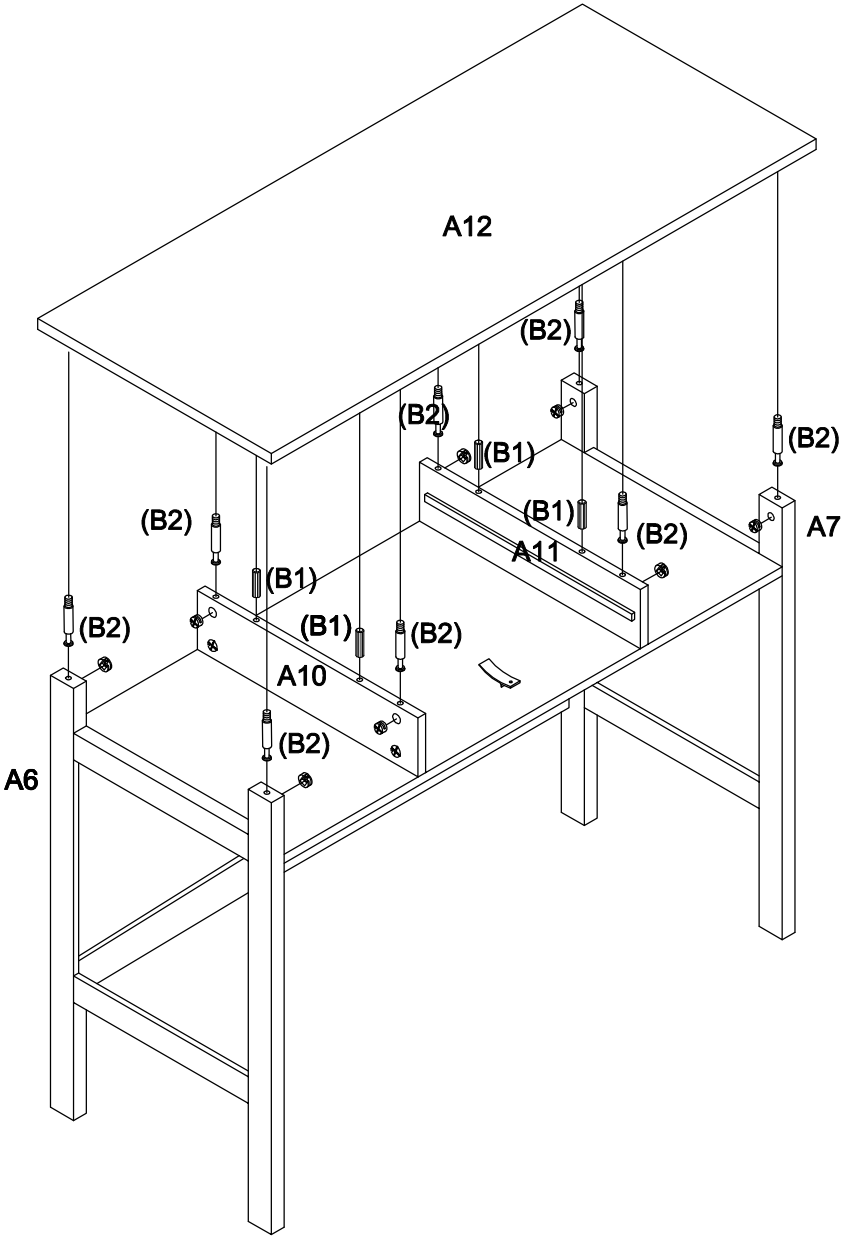
- Attach Dividers (A10 & A11) to Bottom panel A8 using Wood Dowels (B1) and Camlocks (B2).
- Attach Stopper (B3) to Bottom panel (A8) with included screw (hole is pre-drilled).



STEP 4

- Assemble Top panel (A12) to Side frames (A6 & A7) and Dividers (A10 & A11) using Wood Dowels (B1) and camlocks (B2).

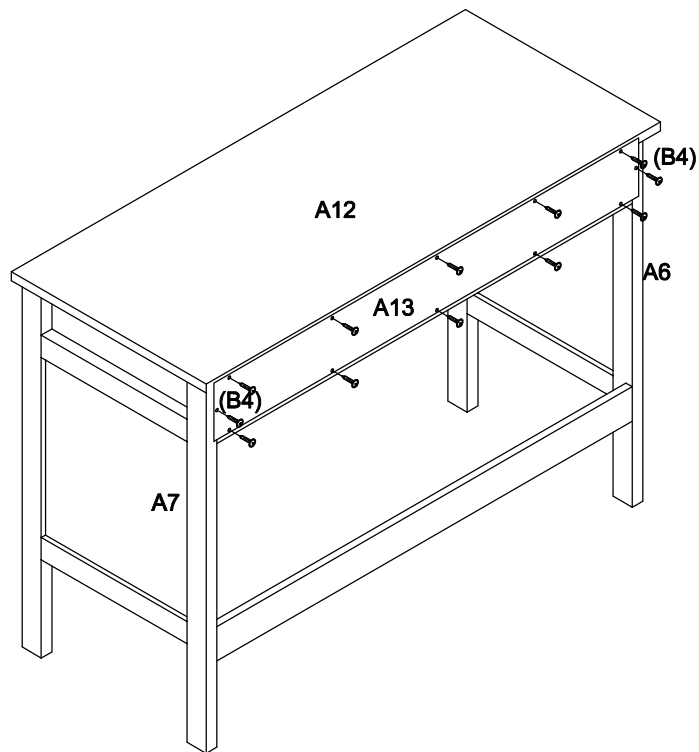
B2		8sets
B1		4pcs

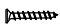


STEP 5

- Attach Back panel (A13) to this unit using Screws (B4).

Note:Holes are pre-drilled.



B4  12pcs

STEP 6

- Insert Drawer into this Desk.

