

ASSEMBLY INSTRUCTIONS

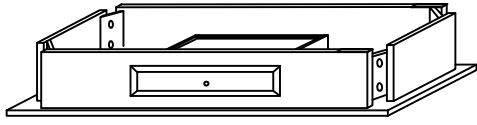
Style # HO240 Desk



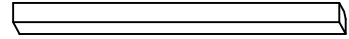
NOTE TO CUSTOMERS:

- For ease and speed of assembly we recommend that before you commence each step of the assembly that you identify all the parts required to complete that step.
- We recommend that where possible you allow sufficient space to assemble the item as close as possible to the place where it will be once assembled.
- For the protection of your furniture we recommend that the product is placed on protected surfaces during assembly to prevent any damage.
- During assembly do not over tighten, as this may damage the product.
- Please ensure you retain all the product packaging until the item completely assembled.
- Please periodically check all fittings and re-tighten as necessary.
- Please never allow any liquids to remain on your furniture as absorption can cause the wood to warp or finish to de-laminate.
- It is recommended that this item should be assembled by two adults.

Parts List



A1 Apron 1PC

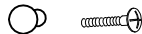


A2 Leg 4PCS

Hardware list



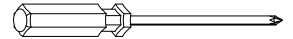
B1 Bolts with Washers
8sets



B2 Knob with bolt
1set

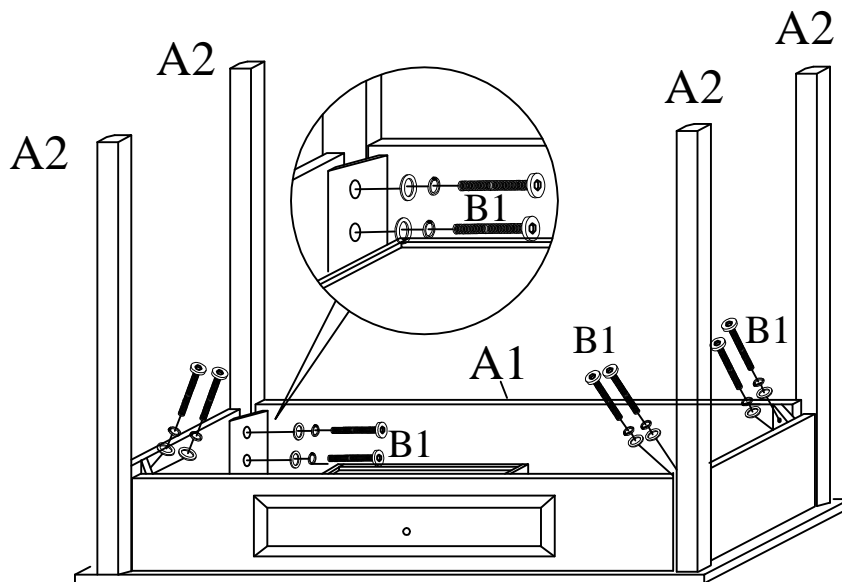


Allen Key



Phillips screwdriver
(not included)

Step 1: Assemble the legs A2 to the apron A1 using bolts and washers B1.



Place the desk to the floor to check if it is stable before tightening the bolts B1.

Step 2: Assemble the drawer knob B2 to the drawer front panel using included bolt.

