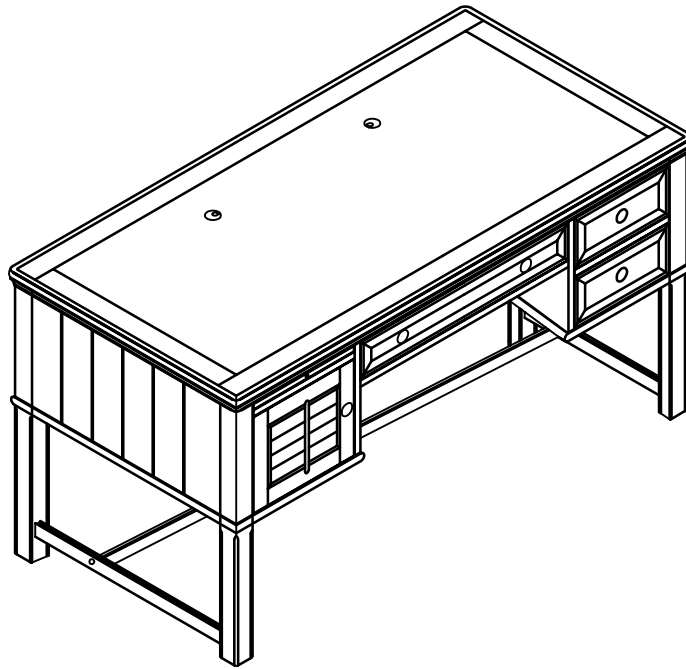
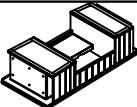







Assembly Instruction









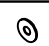

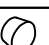
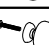

Item NO: HO1707



Parts List

NO	Description	Sketch	Q'TY	NO	Description	Sketch	Q'TY
1	Desk Top		1	4	Bottom Rail		1
2	Left Leg		1	5	Shutter Door		1
3	Right Leg		1	6	Shelf		1

Hardware List

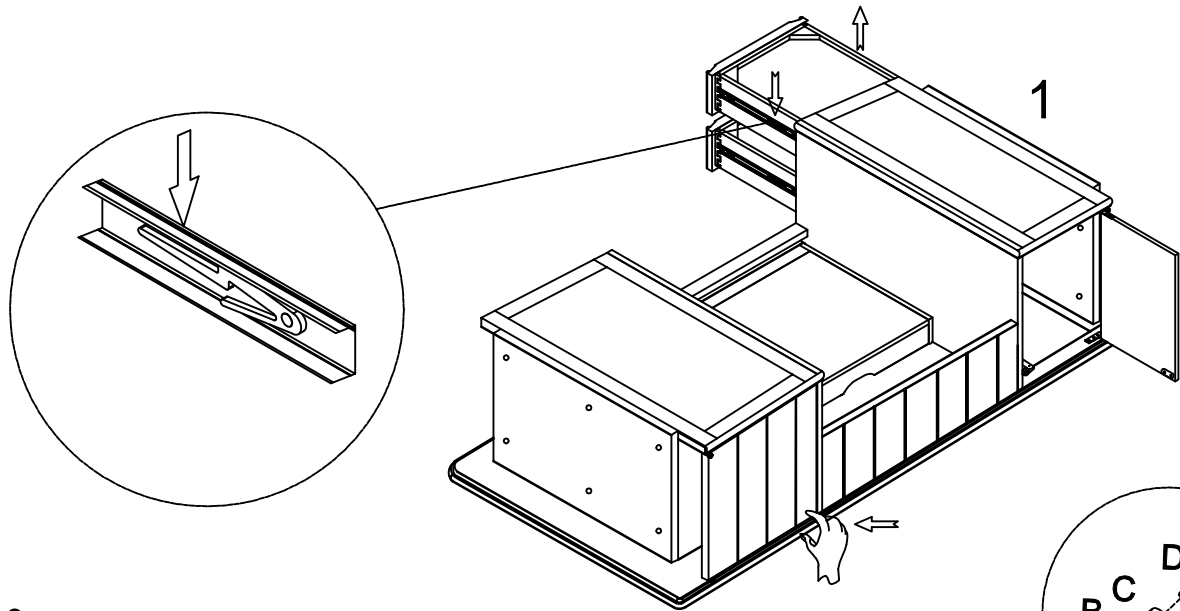
NO	Description	Sketch	Q'TY	NO	Description	Sketch	Q'TY
A	Big Flat Washer 1/4**16mm		12	G	Head Screw Ø3*15mm		6
B	Lock Washer 1/4"		14	H	Shelf Pin		4
C	Bolt 1/4**1-3/8"		14	I	Grommet		2
D	Allen Wrench 1/4"		1	J	Head Screw Ø3*12mm		4
E	Small Flat Washer 1/4**12mm		2	K	2 port USB		1
F	Wood Plug		2	L	Knob		1
	Touch up pen		1				

Assembly Instruction

Item NO: HO1707

Step 1:

To connect the legs, you will need to detach the right side drawers. To remove the drawers, press on the levers located on both sides of the drawer simultaneously while pulling the drawer out.



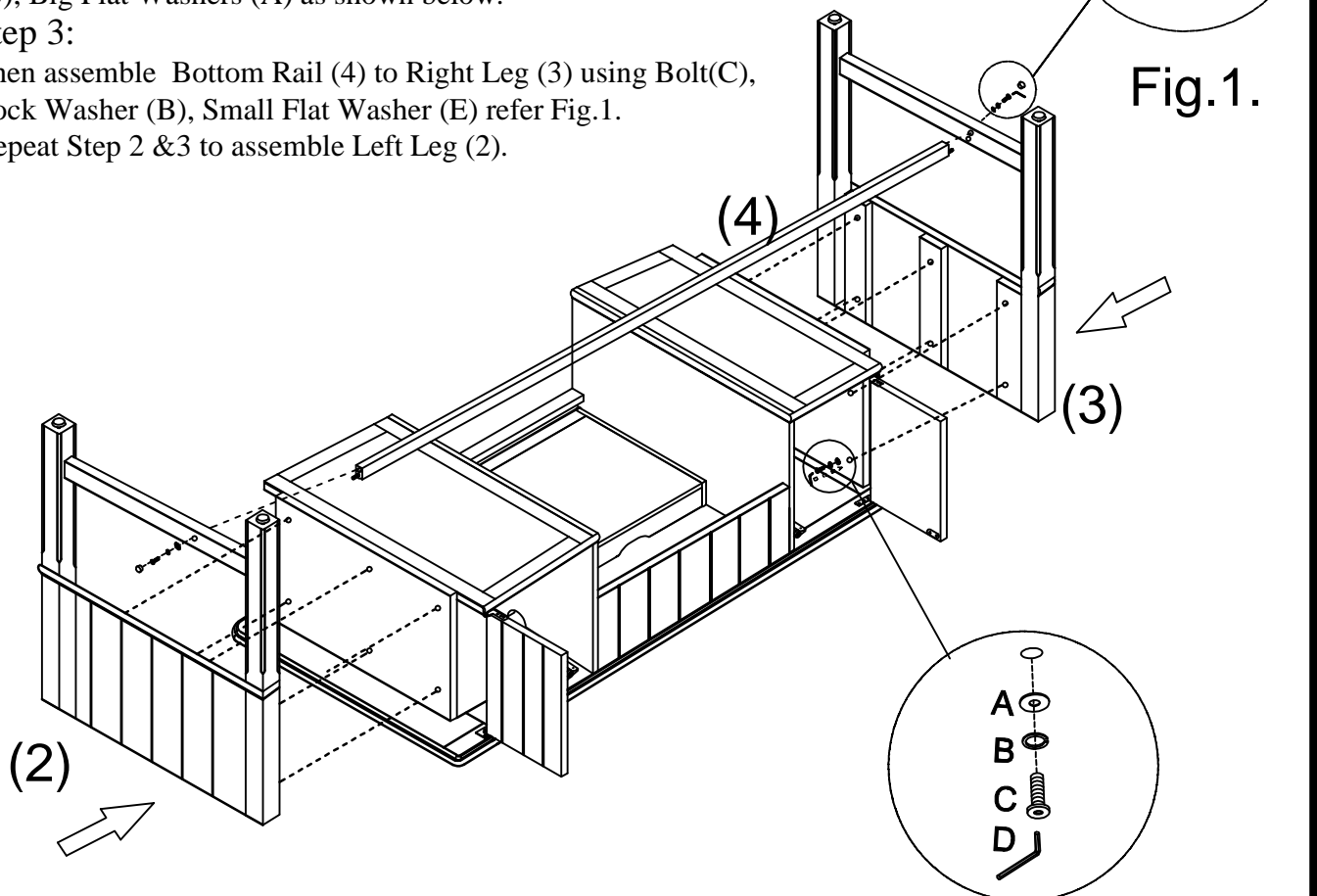
Step 2:

Assemble Right Leg (3) to the side of Desk Top (1) using Bolts (C), Lock Washers (B), Big Flat Washers (A) as shown below.

Step 3:

Then assemble Bottom Rail (4) to Right Leg (3) using Bolt (C), Lock Washer (B), Small Flat Washer (E) refer Fig.1.

Repeat Step 2 & 3 to assemble Left Leg (2).

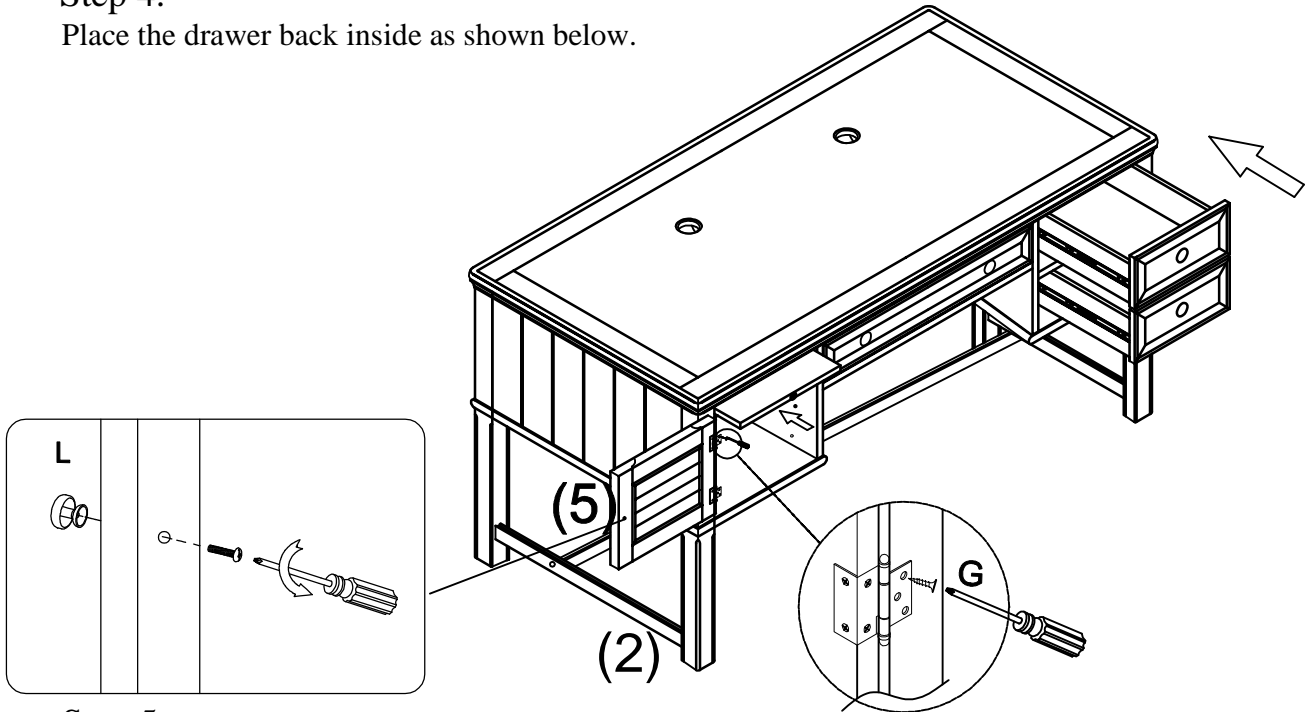


Assembly Instruction

Item NO: HO1707

Step 4:

Place the drawer back inside as shown below.

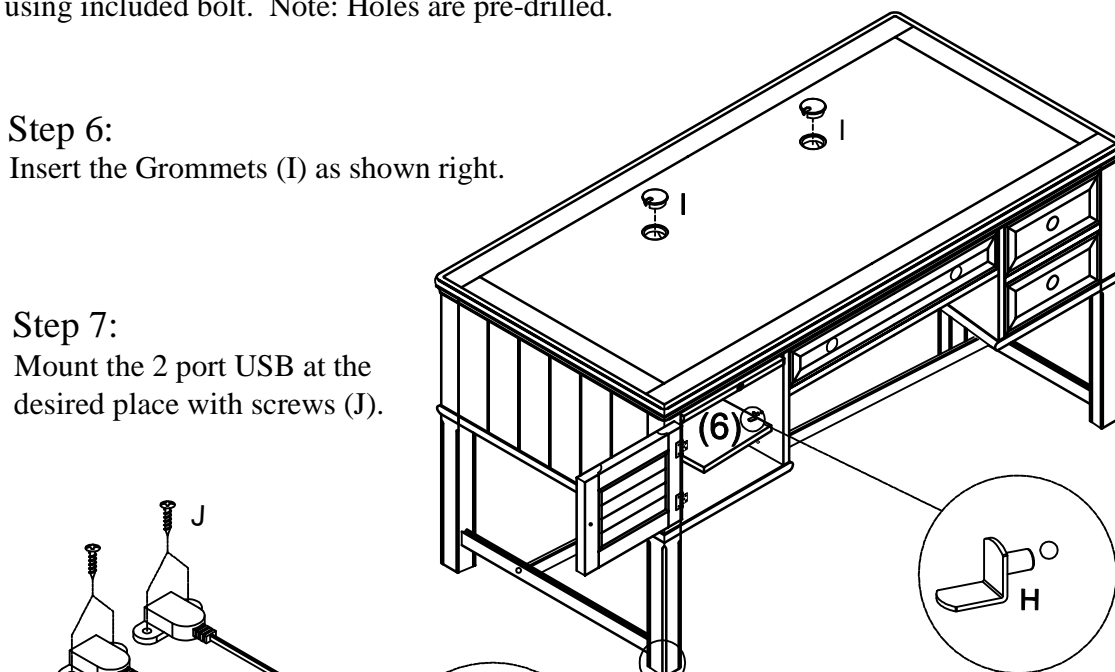


Step 5:

Assemble Shutter Door (5) to Left Leg (2) using Screws (G), then attach Knob(L) to Shutter Door (5) using included bolt. Note: Holes are pre-drilled.

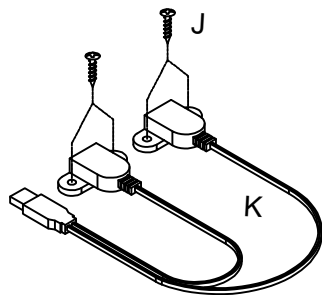
Step 6:

Insert the Grommets (I) as shown right.



Step 7:

Mount the 2 port USB at the desired place with screws (J).



Step 8:

Insert Shelf Pins (H) into holes behind Shutter Door (5), then place Shelf (6) onto Shelf Pins.

