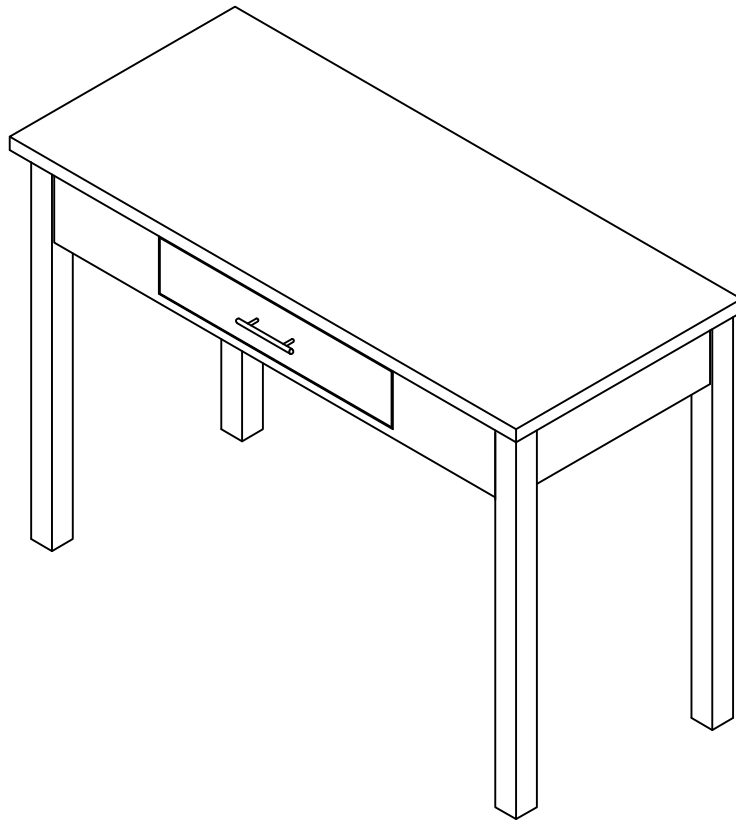


ASSEMBLY INSTRUCTIONS

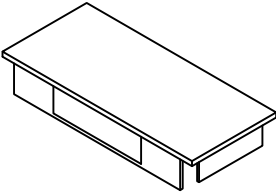

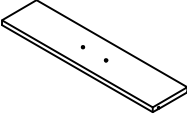
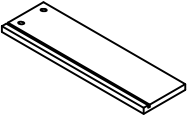
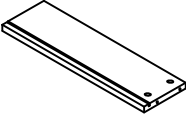
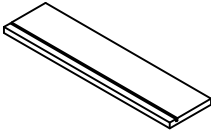
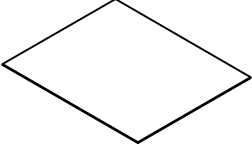
Style # HO1278 Desk



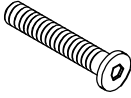



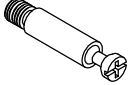


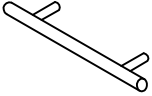

NOTE TO CUSTOMERS :

- For ease and speed of assembly we recommend that before you commence each step of the assembly that you identify all the parts required to complete that step.
- We recommend that where possible you allow sufficient space to assemble the item as close as possible to the place where it will be once assembled.
- For the protection of your furniture we recommend that the product is placed on protected surfaces during assembly to prevent any damage.
- During assembly do not over tighten, as this may damage the product.
- Please ensure you retain all the product packaging until the item completely assembled.
- Please periodically check all fittings and re-tighten as necessary.
- Please never allow any liquids to remain on your furniture as absorption can cause the wood to warp or finish to de-laminate.
- It is recommended that this item should be assembled by two adults.

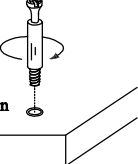
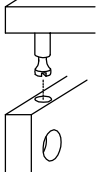
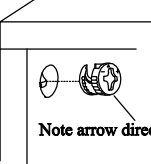
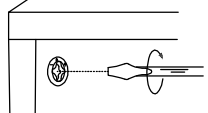
Part List

<p>A. Quantity of 1</p>  <p>Top Panel</p>	<p>B. Quantity of 4</p>  <p>Leg</p>	<p>C. Quantity of 1</p>  <p>Drawer Front Panel</p>	<p>D. Quantity of 1</p>  <p>Drawer Side Panel</p>
<p>E. Quantity of 1</p>  <p>Drawer Side Panel</p>	<p>F. Quantity of 1</p>  <p>Drawer Back Panel</p>	<p>G. Quantity of 1</p>  <p>Drawer Bottom Panel</p>	

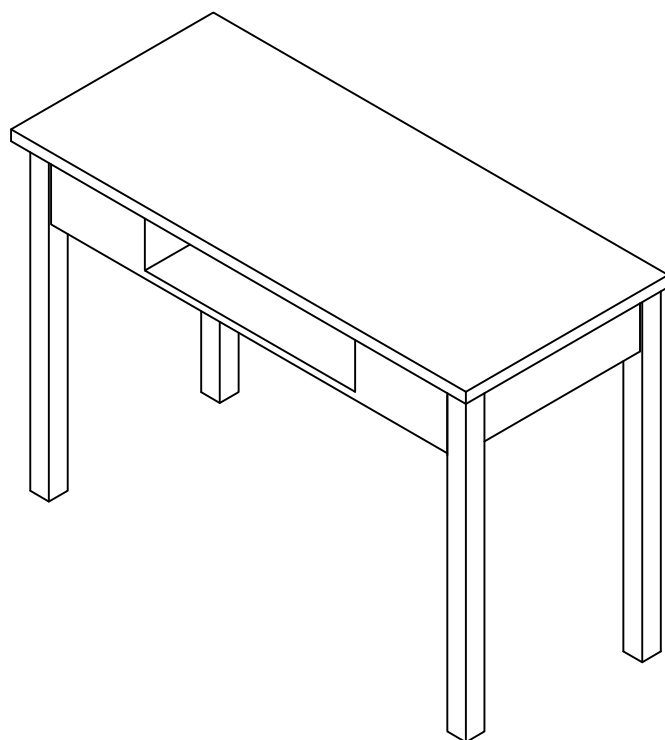
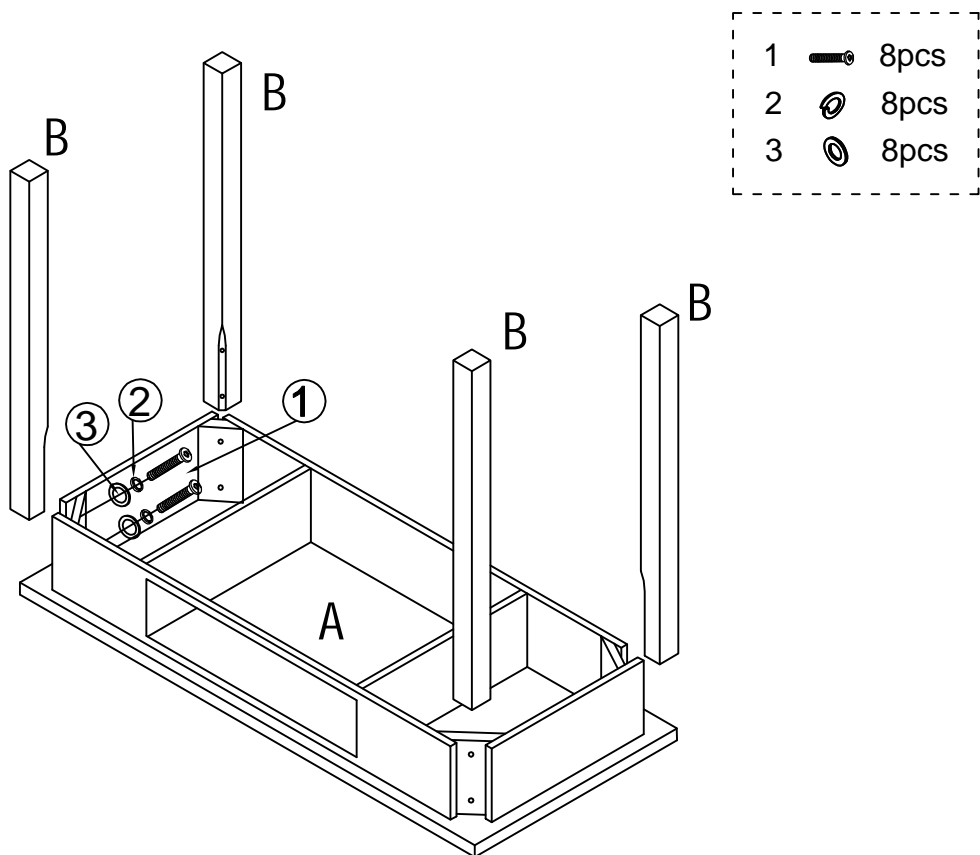
Hardware List

<p>(1) Quantity of 8</p>  <p>Bol t</p>	<p>(2) Quantity of 8</p>  <p>Spring Washer</p>	<p>(3) Quantity of 8</p>  <p>Flat Washer</p>	<p>(4) Quantity of 1</p>  <p>Al len Wrench</p>
<p>(5) Quantity of 4</p>  <p>Cam-bol t</p>	<p>(6) Quantity of 4</p>  <p>Cam-Lock</p>	<p>(7) Quantity of 4</p>  <p>Screw</p>	<p>(8) Quantity of 1</p>  <p>Drawer Handle</p>
<p>(9) Quantity of 2</p>  <p>Bol t</p>			

To use Cam Locks:

<p>1. Insert Cam Pin until snug</p>  <p>Do not over-tighten</p>	<p>2. Set boards together</p> 	<p>3. Insert Cam Lock</p>  <p>Note arrow direction</p>	<p>4. Turn Cam Lock clockwise (half a turn)</p>  <p>if it won't turn halfway, back out the Cam Pin ¼ turn and try Cam Lock again.</p>
--	---	--	--

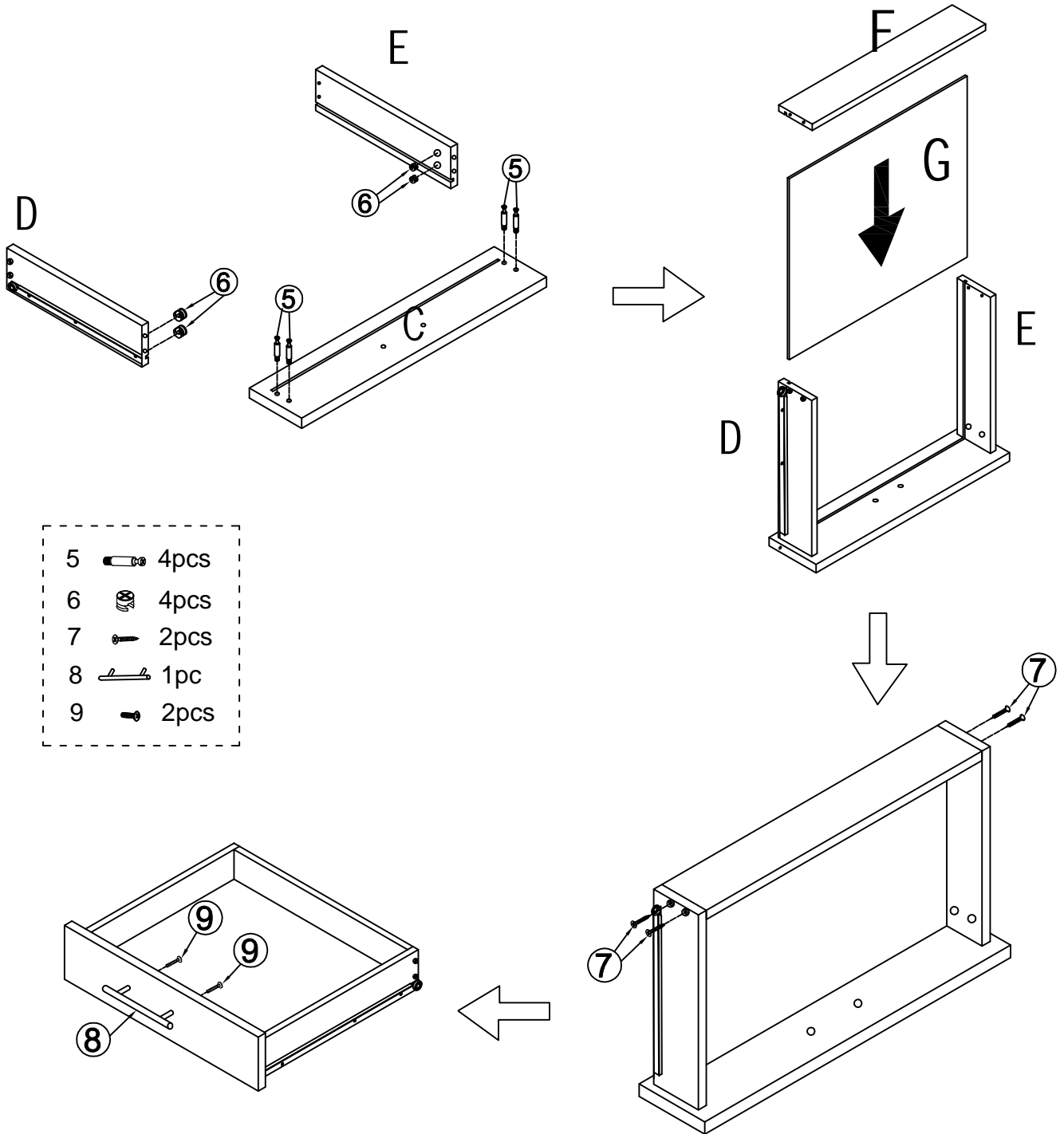
STEP 1:
Assemble Legs (B) to Top Panel (A) using Bolts with Washers (1).



Place desk on the floor and check if it is stable before tightening all bolts.

STEP 2:

- 1). Assemble Drawer Side Panels (D&E) to Drawer Front Panel (C) using Cam-bolts (2) and Cam-locks (3).
- 2). Insert Drawer Bottom Panel (G) into the grooves of Drawer Side Panel (D&E) and Drawer Front Panel (C).
- 3). Assemble Drawer Back Panel (F) to Drawer Side Panels (D&E) using Screws (4).
- 4). Attach Drawer Handle (5) onto Drawer Front Panel (C) using Bolts (6).



STEP 3:
Insert the drawer into this unit.

