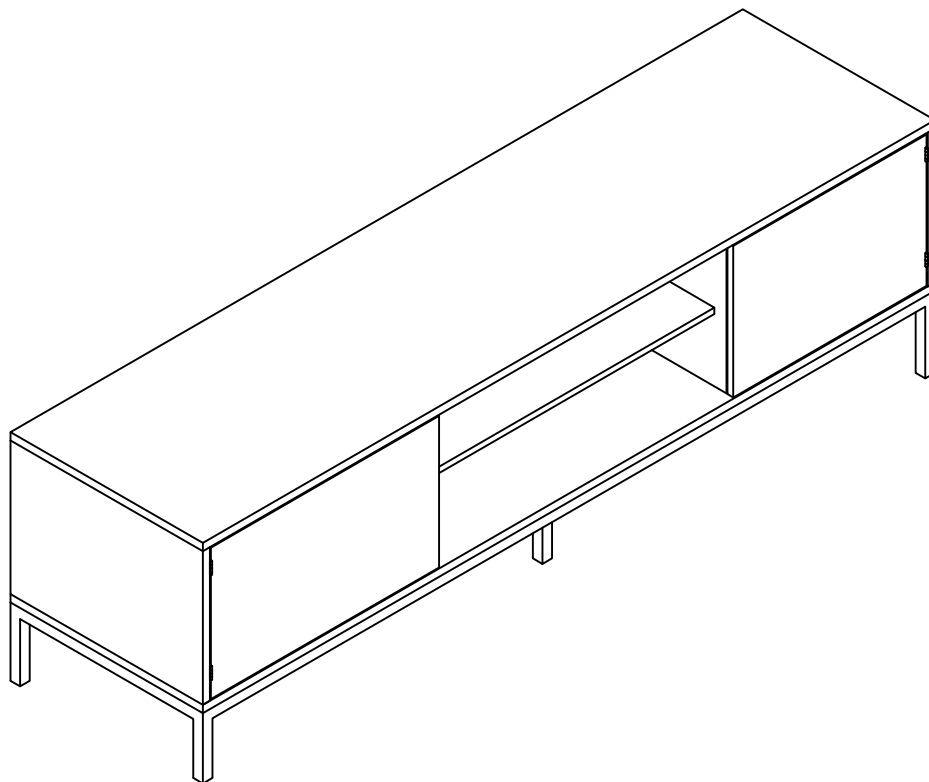


ASSEMBLY INSTRUCTIONS

E1062 Entertainment Center



NOTE TO CUSTOMERS:

- For ease and speed of assembly we recommend that before you commence each step of the assembly that you identify all the parts required to complete that step.
- We recommend that where possible you allow sufficient space to assemble the item as close as possible to the place where it will be once assembled.
- For the protection of your furniture we recommend that the product is placed on protected surfaces during assembly to prevent any damage.
- During assembly do not over tighten, as this may damage the product.
- Please ensure you retain all the product packaging until the item completely assembled.
- Please periodically check all fittings and re-tighten as necessary.
- Please never allow any liquids to remain on your furniture as absorption can cause the wood to warp or finish to de-laminate.

To insert a cam lock: (Please read below instructions before assembling)

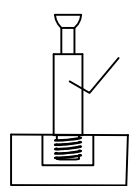
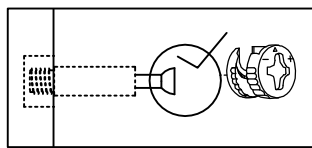


Diagram A



1. Insert cam screw into hole as shown in diagram A .

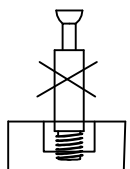
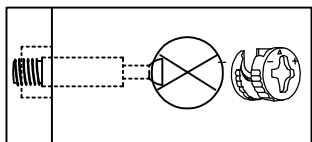


Diagram B



Make sure not to insert the cam screw:
Too deep as shown in figure B as this will cause the
cam screw to be misaligned and unable to
interlock properly.

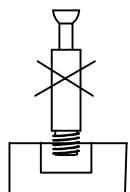
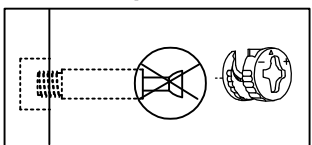
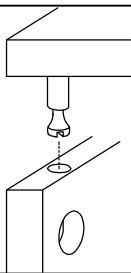


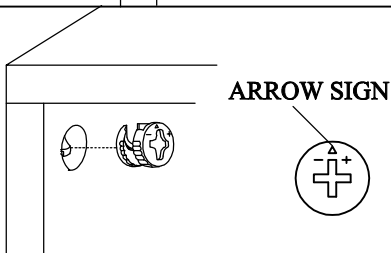
Diagram C



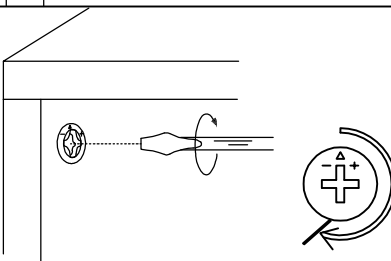
Also avoid inserting the cam screw too close to the
surface of the hole as shown in figure C, as this will
cause the cam lock to be too loose, and not interlock
properly.



2. Connect the panels together.



3. When inserting the cam lock make sure the arrow
of the cam lock faces the cam screw.



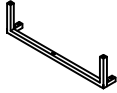
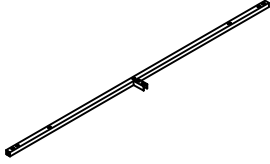
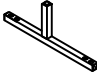
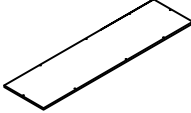
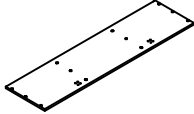
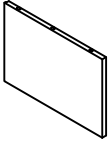
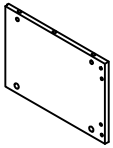
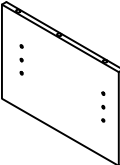
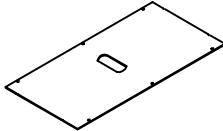
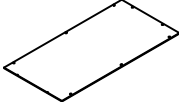
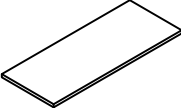
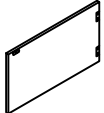
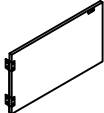
4. To tighten the cam lock turn the cam lock clockwise
90-180 degree or until the arrow is facing opposite
the place cam lock was inserted.

**NOTE: DO NOT USE AN AUTOMATIC
SCREWDRIVER TO TIGHTEN CAM LOCKS.**

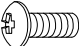
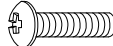
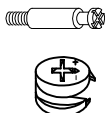

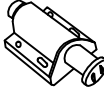
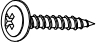
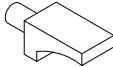

Note:

- Read these instructions carefully before assembling.
- Tools required : Phillips screwdriver, flat screwdriver.
- Find a clean, smooth area on which to work , such as a carpet, in order to avoid scratching the wood surfaces.
- Wait to dispose of the packing material until assembly is complete and all parts and hardware are accounted for.
- Two or more people might be required for assembly.

Part List

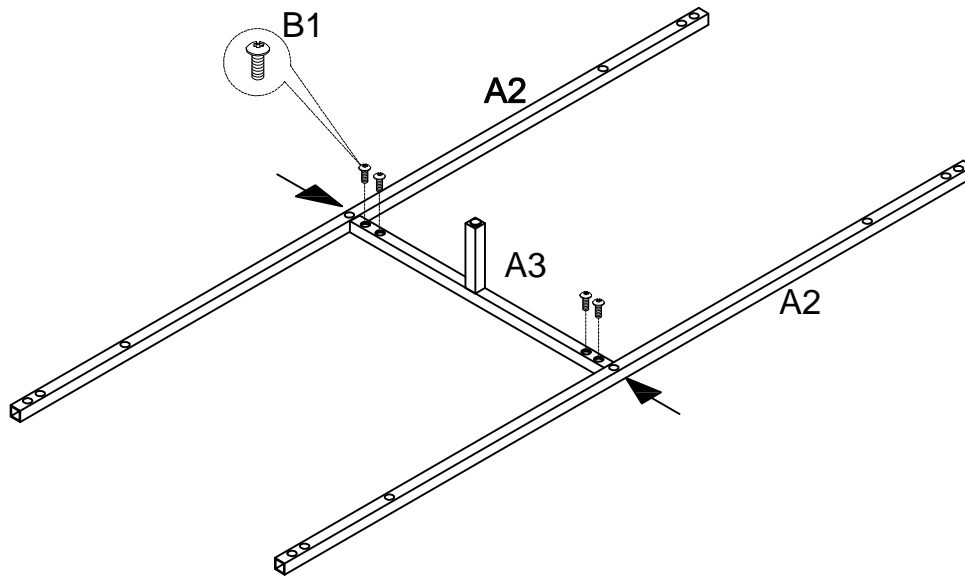
<p>A1. Quantity of 2</p>  <p>Side Frame</p>	<p>A2. Quantity of 2</p>  <p>Rail</p>	<p>A3. Quantity of 1</p>  <p>Connect Bar With Adjustable Leg</p>	<p>A4. Quantity of 1</p>  <p>Bottom Panel</p>
<p>A5. Quantity of 1</p>  <p>Top Panel</p>	<p>A6. Quantity of 1</p>  <p>Left Side Panel</p>	<p>A7. Quantity of 1</p>  <p>Right Side Panel</p>	<p>A8(L&R). Quantity of 2</p>  <p>Divider</p>
<p>A9. Quantity of 1</p>  <p>Center Back Panel</p>	<p>A10. Quantity of 2</p>  <p>Side Back Panel</p>	<p>A11. Quantity of 1</p>  <p>Shelf Panel</p>	<p>A12. Quantity of 1</p>  <p>Left Door</p>
<p>A13. Quantity of 1</p>  <p>Right Door</p>			

Hardware List

<p>B1 Quantity of 12</p>  <p>Short Bolt</p>	<p>B2 Quantity of 8</p>  <p>Long Bolt</p>	<p>B3 Quantity of 16</p>  <p>Cambolt&Camlock</p>	<p>B4 Quantity of 6</p>  <p>Wood Dowel</p>
<p>B5 Quantity of 2</p>  <p>Magnet</p>	<p>B6 Quantity of 34</p>  <p>Screw</p>	<p>B7 Quantity of 4</p>  <p>Shelf Support</p>	<p>B8 Quantity of 8</p>  <p>Screw</p>

Step 1

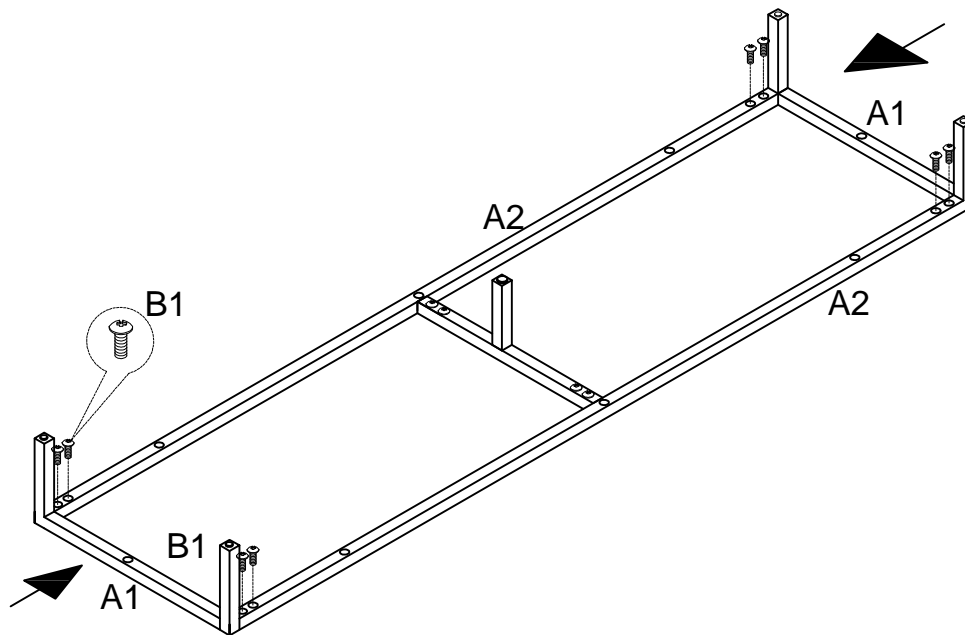
B1 :  4pcs



Insert and tighten Rails A2 into Connect Bars with adjustable leg A3 using Short Bolts B1.
Note: Please do not tighten Bolts B1 until Step 7.

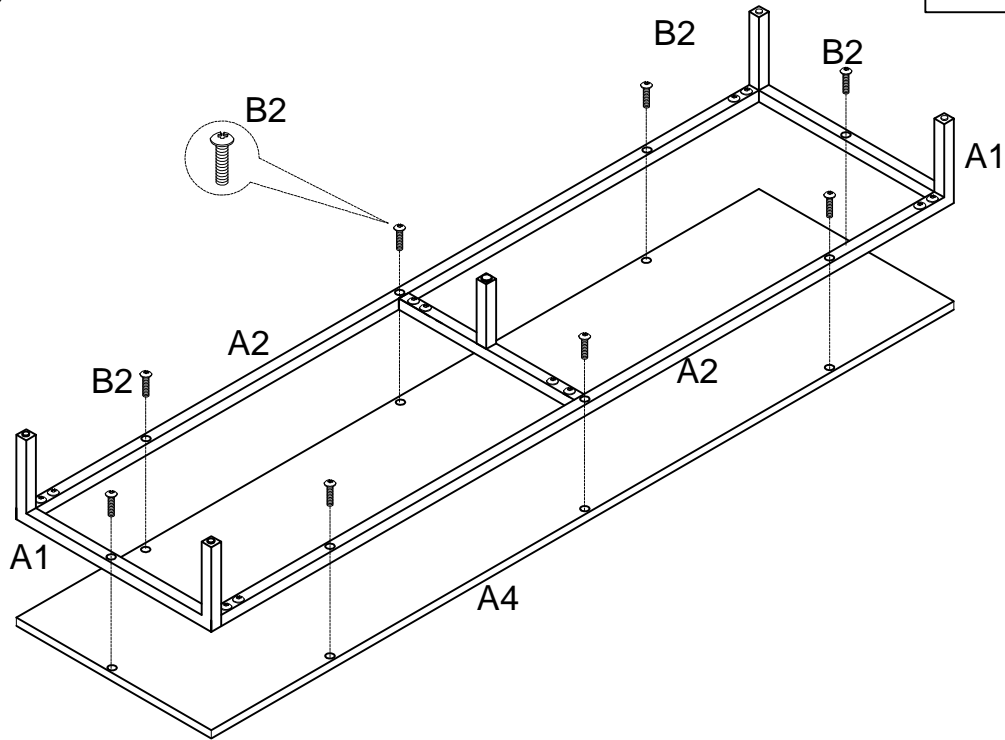
Step 2

B1 :  8pcs



Insert and tighten Side Frames A1 to Rails A2 using Short Bolts B1.
Note: Please do not tighten Bolts B1 until Step 7.

Step 3

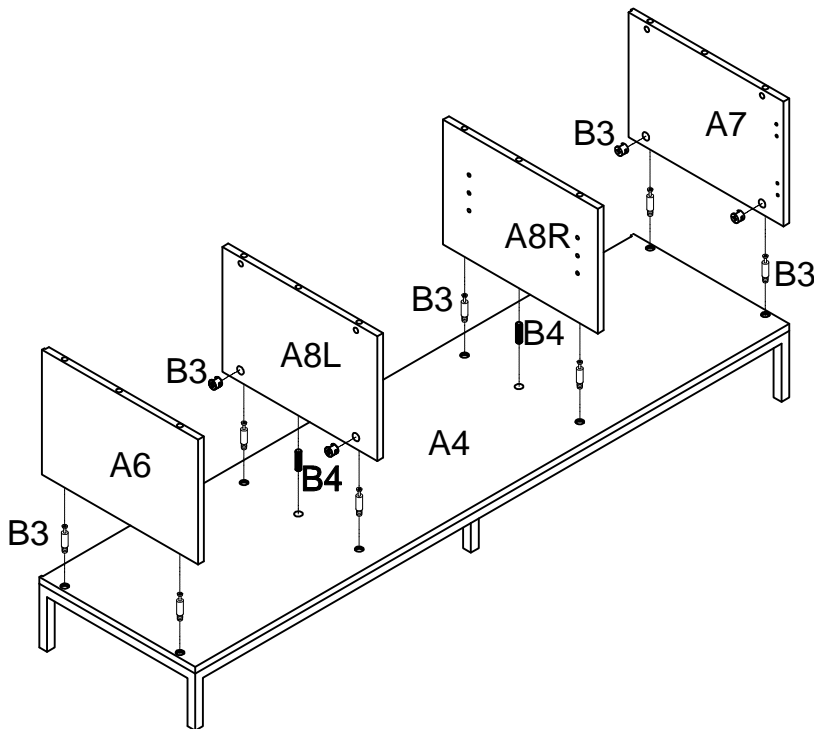


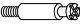


B2 :  8pcs

Assemble Side Frames A1,Rails A2 and Connect Bar with adjustable leg A3 to Bottom Panel A4 using Long Bolts B2.

Note:Please do not tighten Bolts B2 until all of them are attached.





Step 4

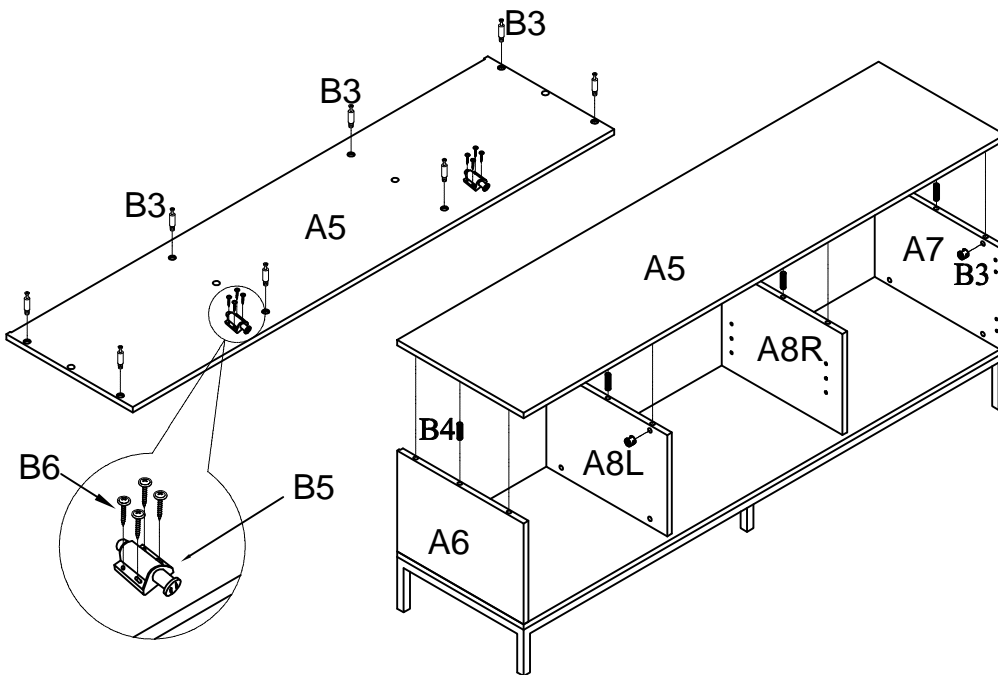


B3 :   8pcs
B4 :  2pcs

Assemble Side Panels A6&A7, Dividers A8(L&R) to Bottom Panel A4 using Cambolts&Camlocks B3 and Wood Dowels B4 as shown above.

Step 5



B3 :		8pcs
B4 :		4pcs
B5 :		2pcs
B6 :		8pcs

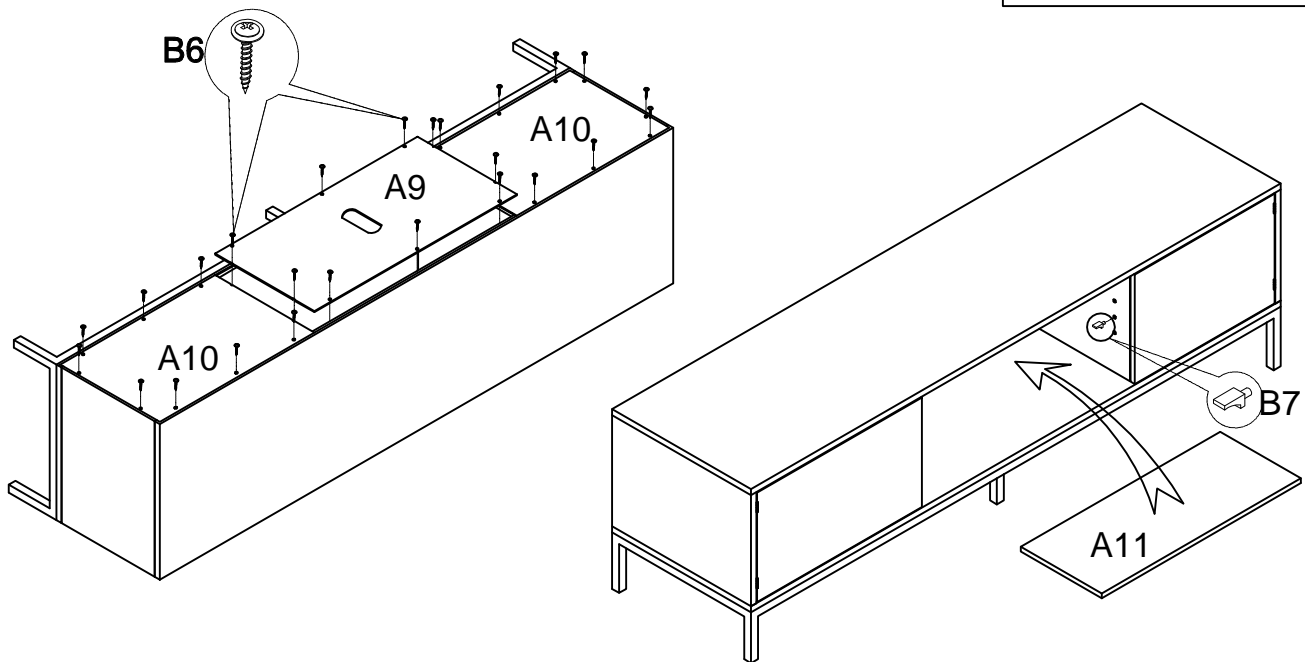


1).Attach Magnets B5 to the bottom of the Top Panel A5 using Screws B6.

2).Attach Top Panel A5 to Side Panels A6&A7,Dividers A8(L&R) using Cambolts&Camlocks B3 and Wood Dowels B4.

Step 6

B6 :		26pcs
B7 :		4pcs

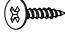


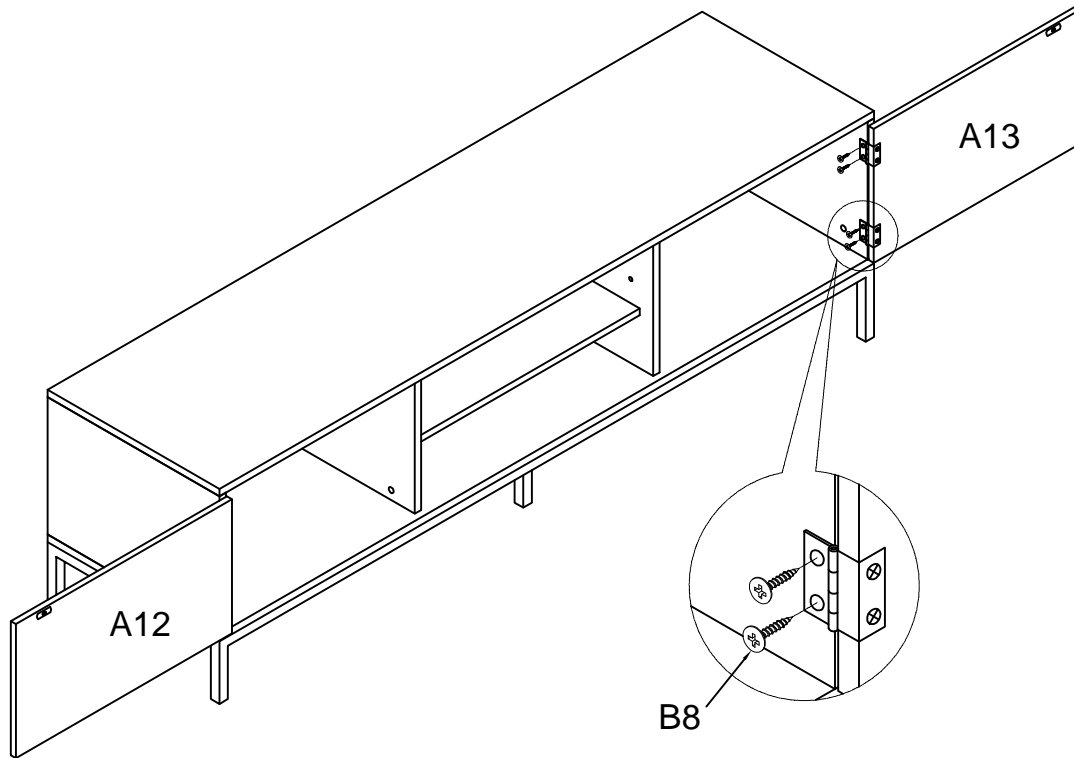
1).Attach Side Back Panels A10 to the back of this unit first,then attach Center Back Panel A9.

2).Tighten Back Panels A9&A10 using Screws B6.

3).Insert Shelf Supports B7 into the holes on the Side Panels A8(L&R),then put Shelf Panel A11 onto Shelf Supports B7.

Step 7

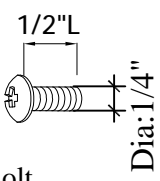
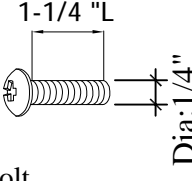
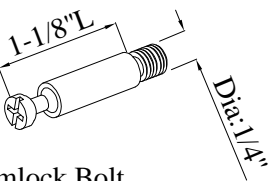
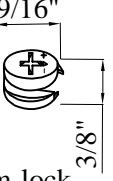
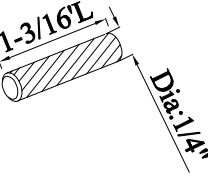
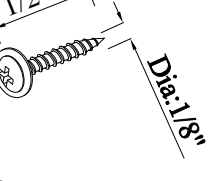
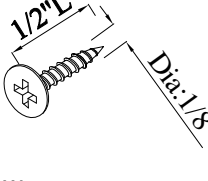
B8 :  **8pcs**



Attach Doors A12&A13 to Side Panels A6&A7 (L&R) using Screws B8.

Note:Place this unit on the floor to check if it is stable before tightening all Bolts B1.

APPENDIX: Dimension of Hardwares in this AI.

<p>B1.</p>  <p>Short Bolt</p>	<p>B2.</p>  <p>Long Bolt</p>	<p>B3.</p>  <p>Camlock Bolt</p>	 <p>Cam-lock</p>
<p>B4.</p>  <p>Wood Dowel</p>	<p>B6.</p>  <p>Screw</p>	<p>B8.</p>  <p>Screw</p>	