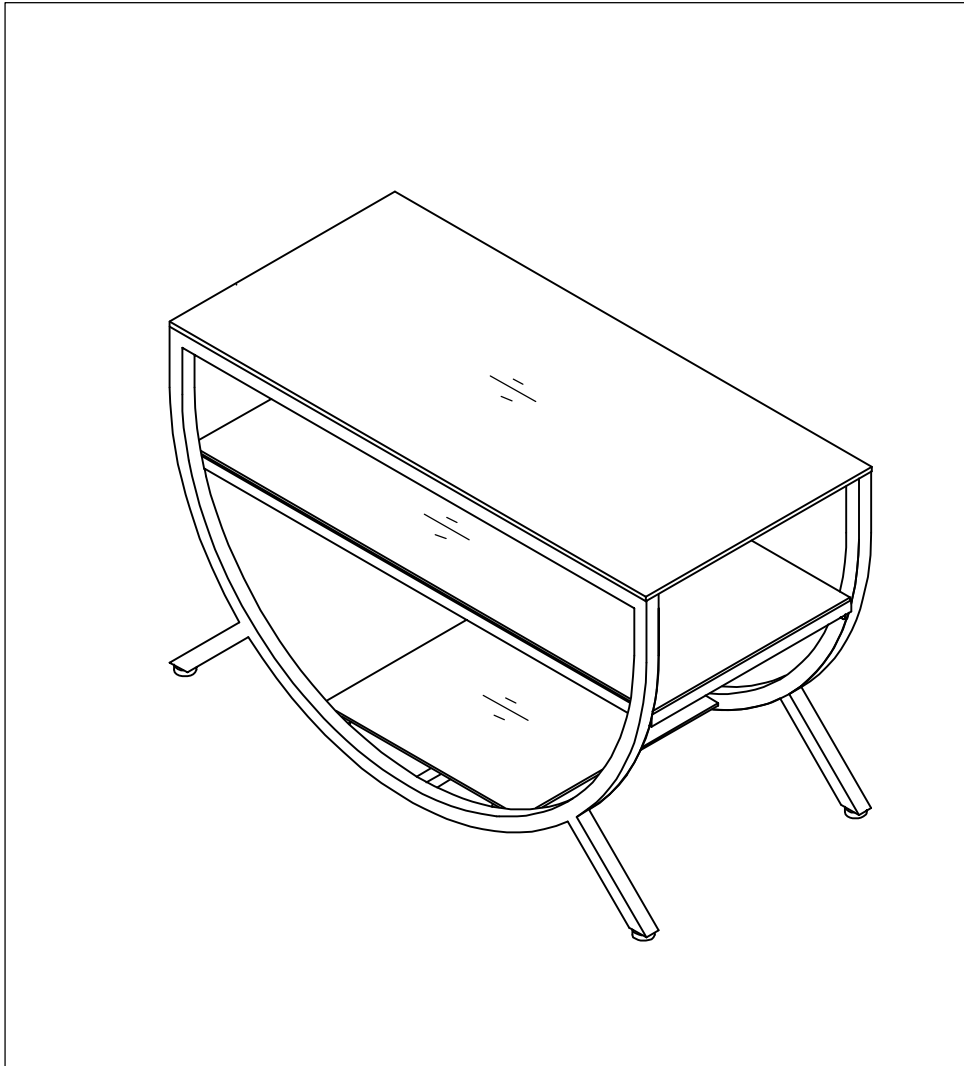


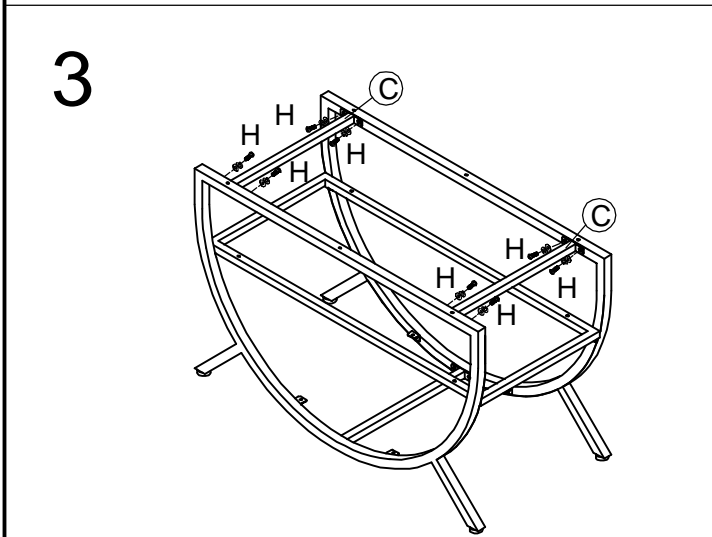
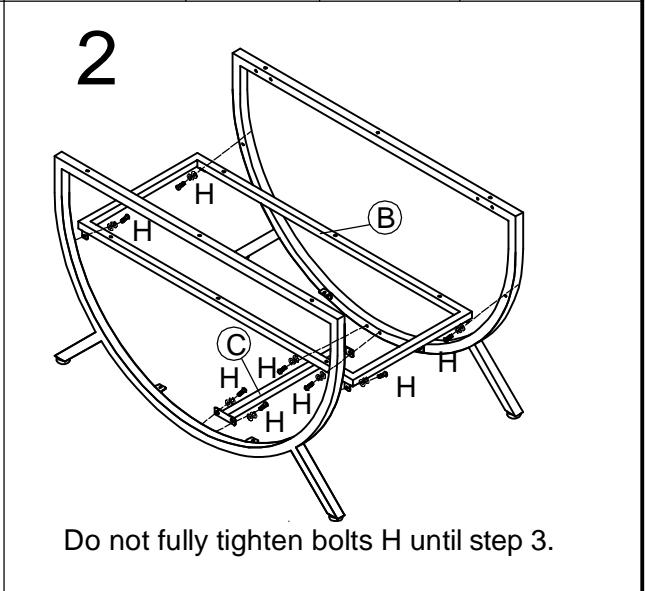
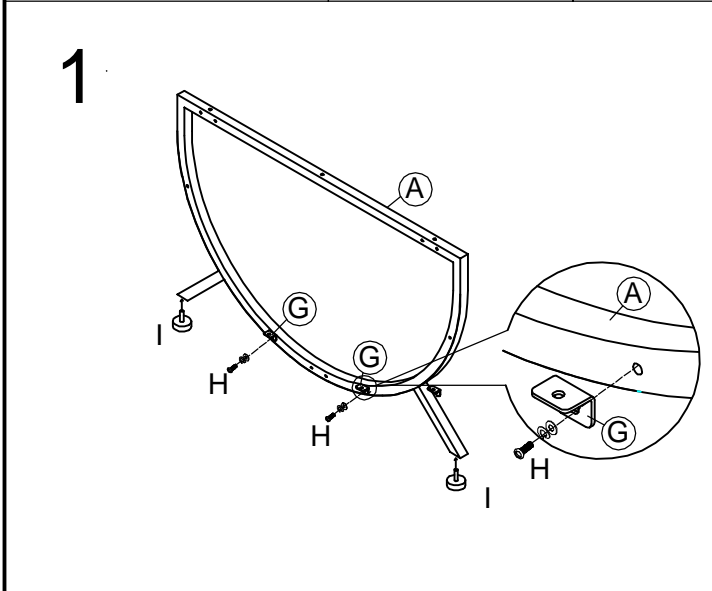
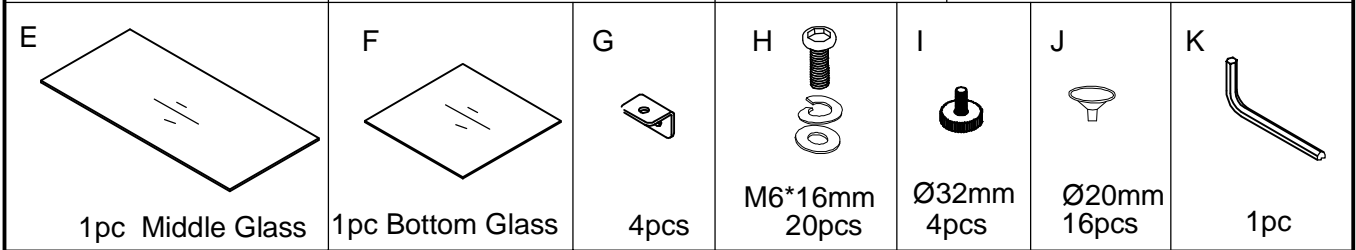
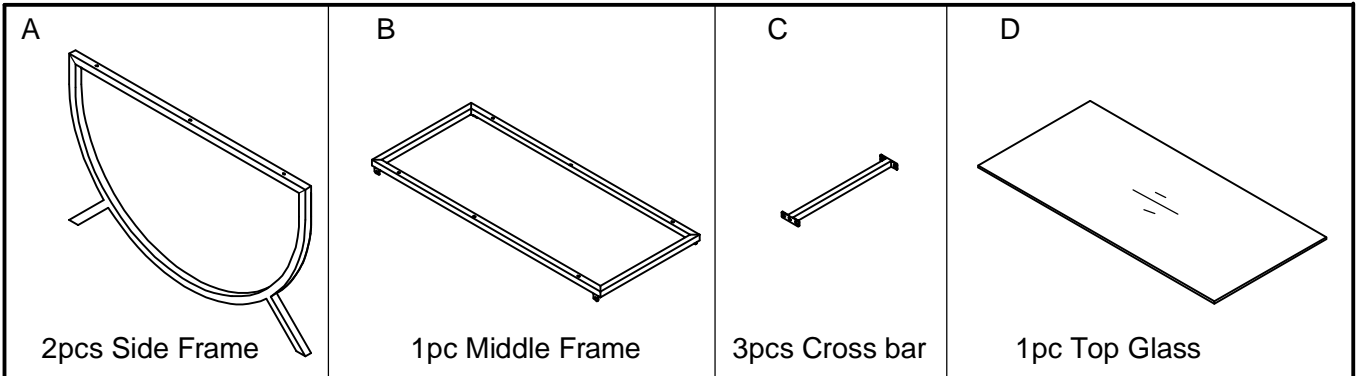
# Assembly instructions

Style#E010 TV Stand

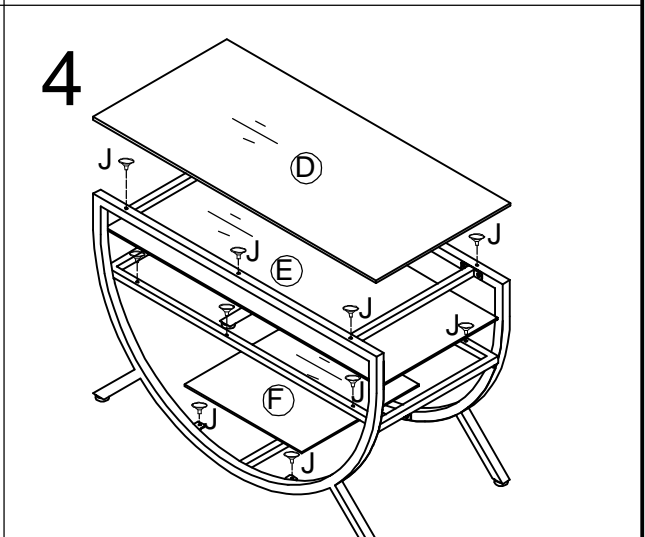


**Note:**

- 1) It is recommended that this item should be assembled by two adults.
- 2) Please do not sit on the stand.
- 3) Do not place very hot and very cold items directly on the table top.
- 4) Clean with non-abrasive cloth and chemical cleaners.



Please fully tighten all bolts H at this point.



Page 2 of 2