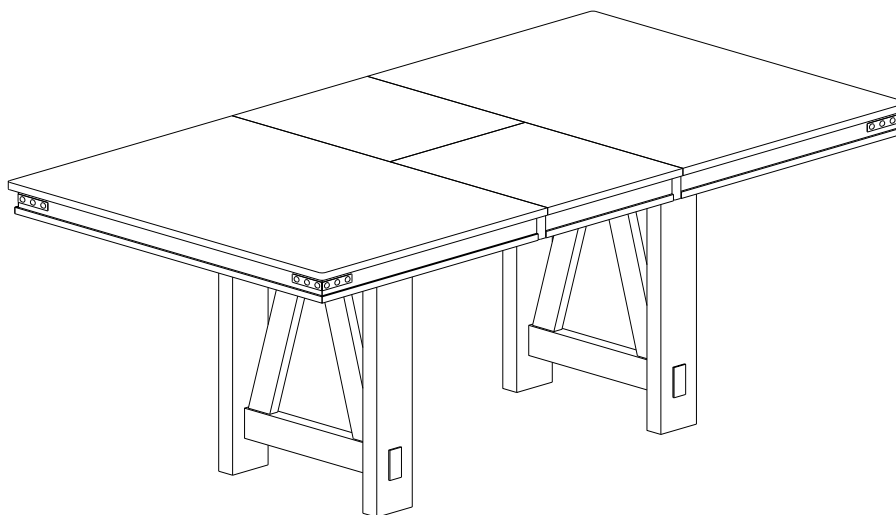


# ASSEMBLY INSTRUCTIONS

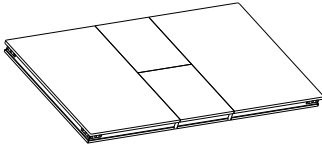
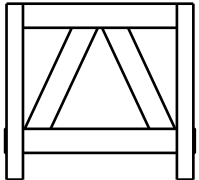

## MODEL # D6490-1 DINING TABLE



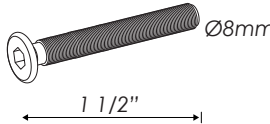
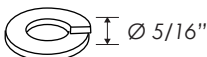
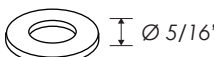

### NOTE TO CUSTOMERS:

- For ease and speed of assembly we recommend that before you commence each step of the assembly that you identify all the parts required to complete that step.
- We recommend that where possible you allow sufficient space to assemble the item as close as possible to the place where it will be once assembled.
- For the protection of your furniture we recommend that the product is placed on protected surfaces during assembly to prevent any damage.
- During assembly do not over tighten the screws or bolts, as this may damage the product.
- Please ensure you retain all the product packaging until the item is completely assembled.
- Periodically check all fitting and re-tighten as necessary.
- Never allow any liquids to remain on your furniture as absorption can cause the wood to warp or finish to de-laminate.
- It is recommended that this item should be assembled by two adults.

## PARTS IDENTIFICATION

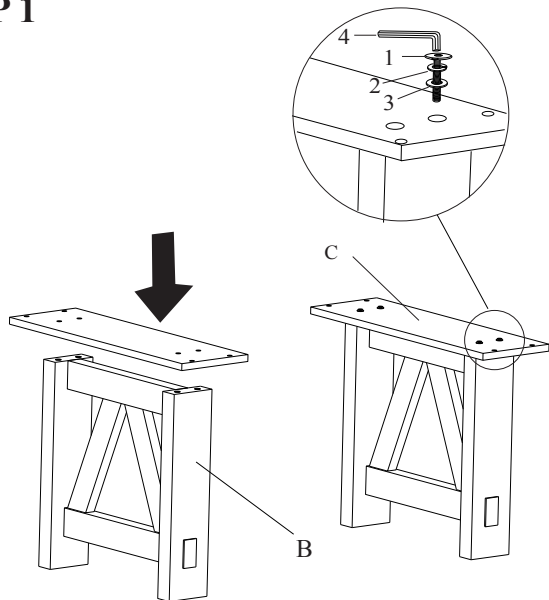
- |    |                |   |       |
|----|----------------|---|-------|
| A- | Table Top      |  | 1 pc  |
| B- | Trestle Leg    |  | 2 pcs |
| C- | Mounting Plate |  | 2 pcs |

## HARDWARE IDENTIFICATION

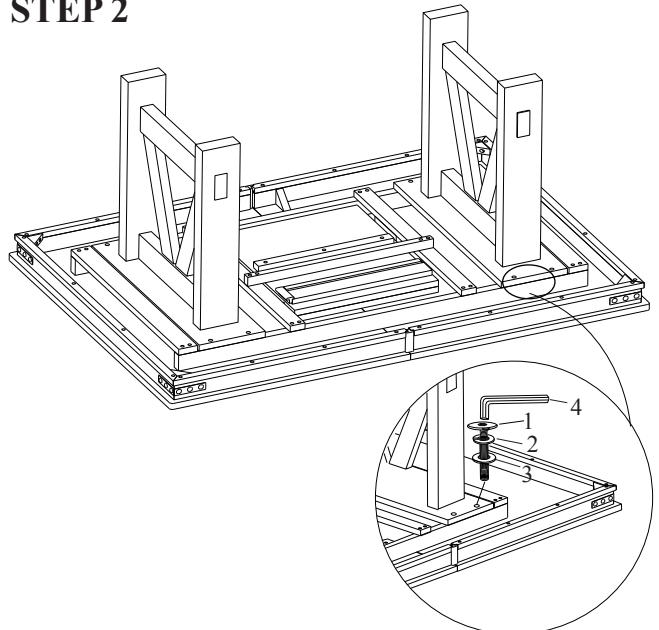
- |    |                          |   |        |
|----|--------------------------|---|--------|
| 1- | JCBC Bolt M6 x 70mm      |    | 16 pcs |
| 2- | Lock Washer 5/16" x 13mm |  | 16 pcs |
| 3- | Flat Washer 5/16" x 18mm |  | 16 pcs |
| 4- | Allen Key M5 x 2 1/2"    |  | 1 pcs  |

NOTE: Quantities shown are for one bench. Bolts are metric screw threads

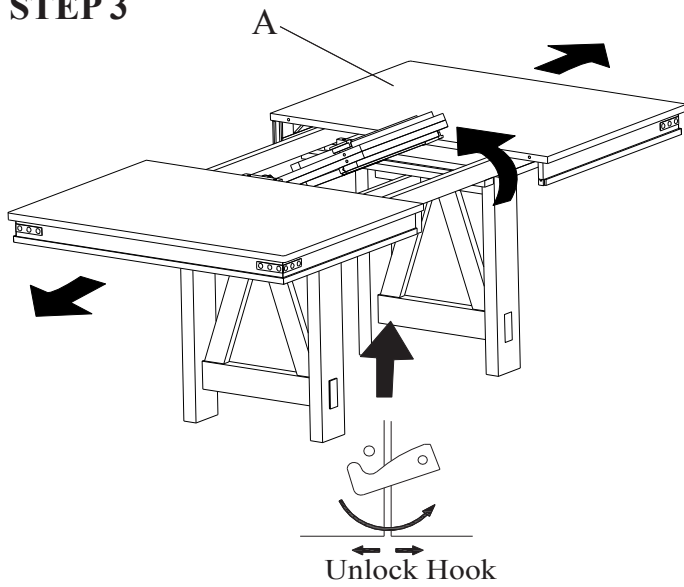
### STEP 1



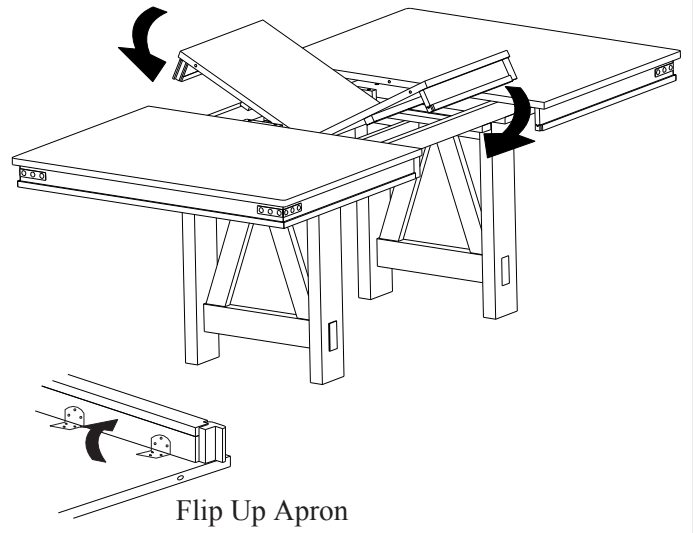
### STEP 2



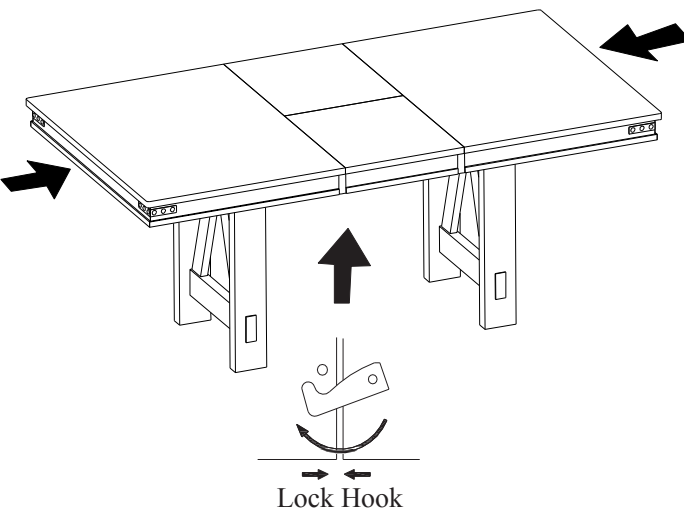
**STEP 3**



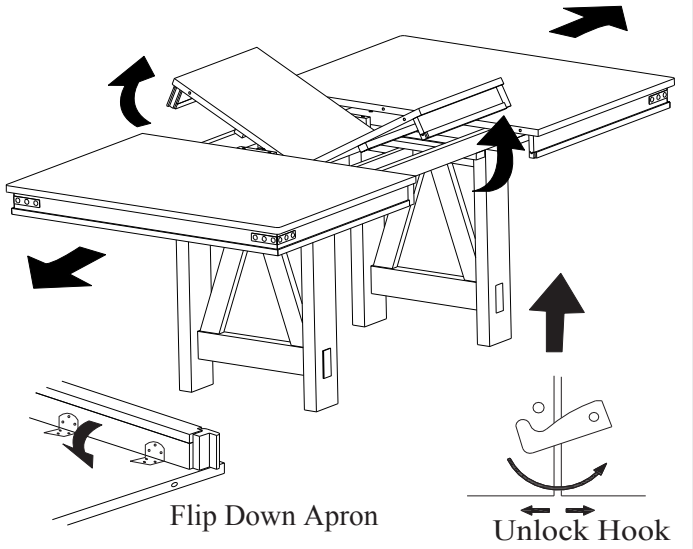
**STEP 4**



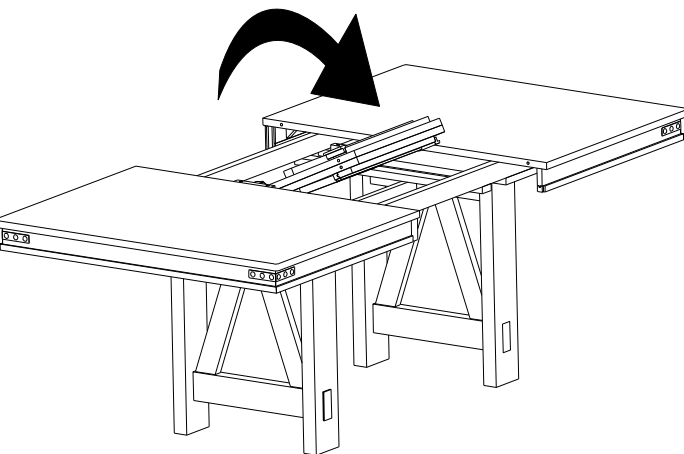
**STEP 5**



**STEP 6**



**STEP 7**



**STEP 8**

