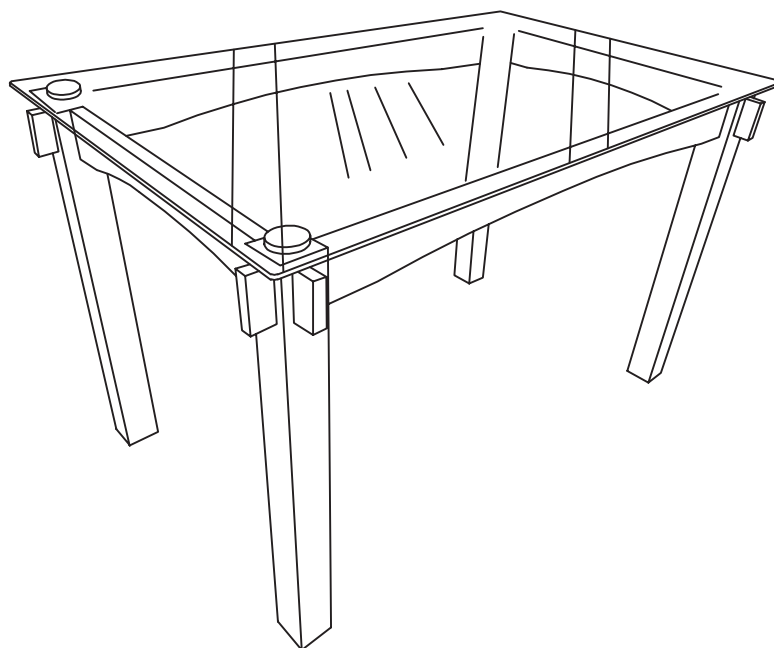


ASSEMBLY INSTRUCTIONS

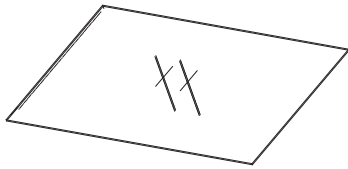





MODEL #D507-T DINING TABLE




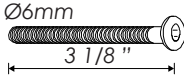
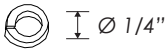
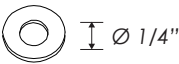
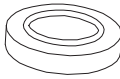
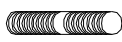
NOTE TO CUSTOMERS:

- For ease and speed of assembly we recommend that before you commence each step of the assembly that you identify all the parts required to complete that step.
- We recommend that where possible you allow sufficient space to assemble the item as close as possible to the place where it will be once assembled.
- For the protection of your furniture we recommend that the product is placed on protected surfaces during assembly to prevent any damage.
- During assembly do not over tighten the screws or bolts, as this may damage the product.
- Please ensure you retain all the product packaging until the item is completely assembled.
- Periodically check all fitting and re-tighten as necessary.
- Never allow any liquids to remain on your furniture as absorption can cause the wood to warp or finish to de-laminate.
- It is recommended that this item should be assembled by two adults.

PARTS IDENTIFICATION

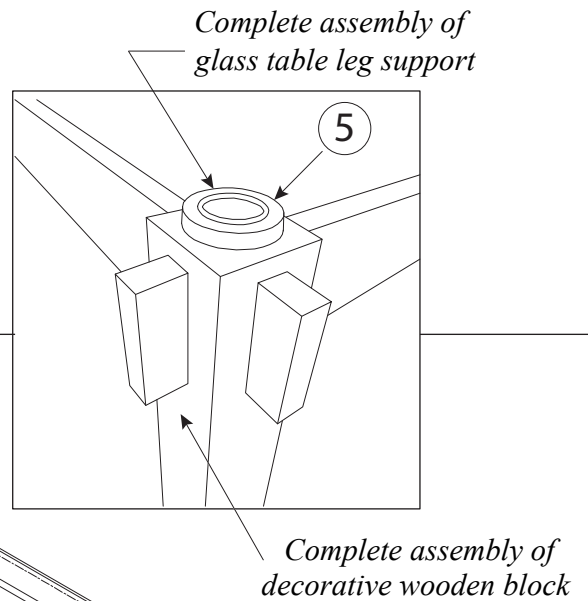
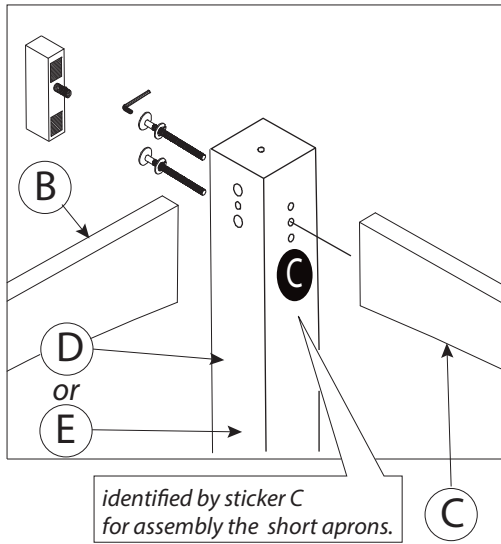
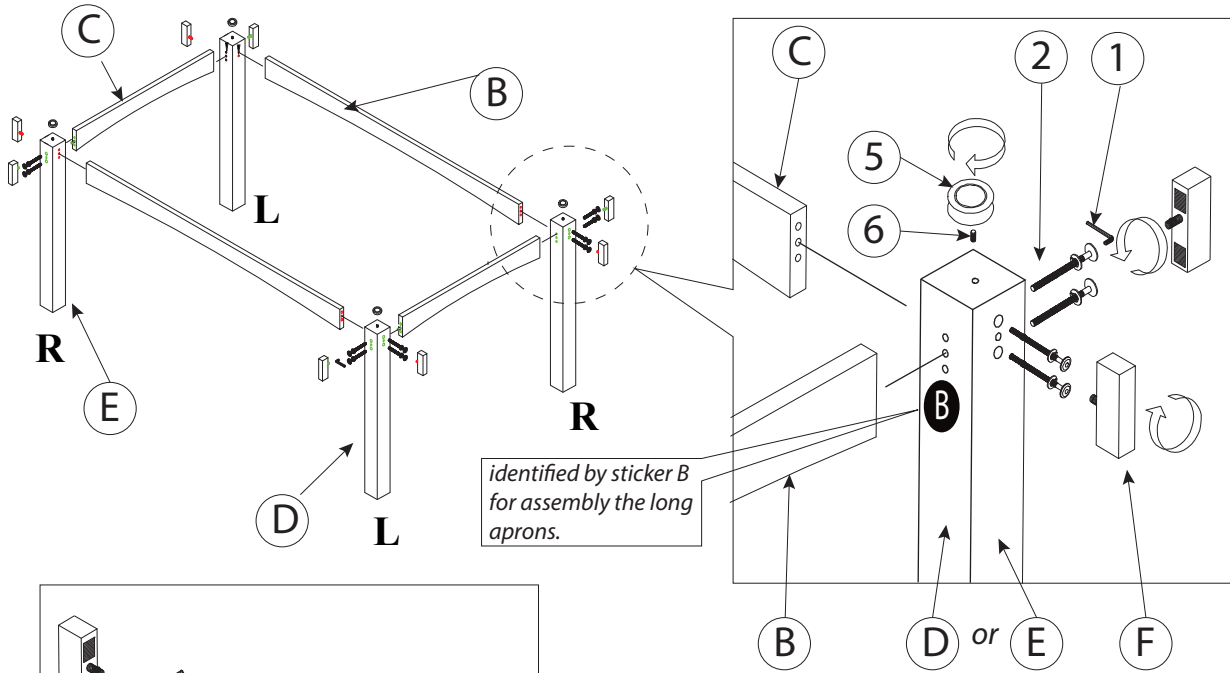
A-	Glass Table Top		1 pc
B-	Long Apron		2 pcs
C-	Short Apron		2 pcs
D-	Leg (Left)		2 pcs
E-	Leg (Right)		2 pcs
F-	Decorative Wooden Block		8 pcs

HARDWARE IDENTIFICATION

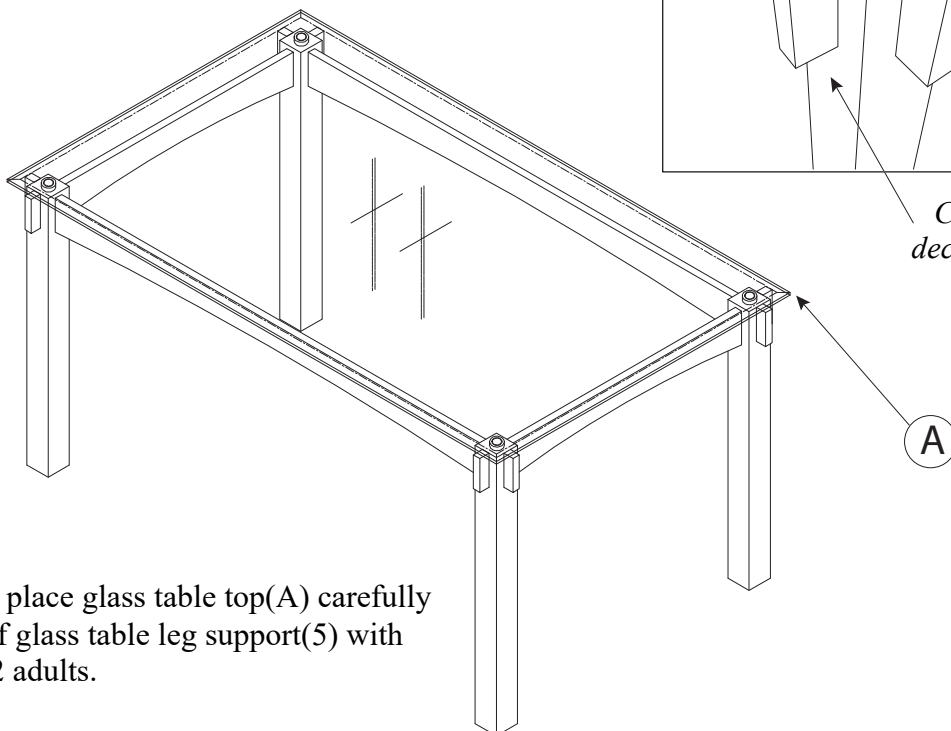
1-	Allen Key M4		1 pc
2-	JCBC Bolt M6 x 80mm		16 pcs
3-	Spring Washer 1/4"		16 pcs
4-	Flat Washer 1/4"		16 pcs
5-	Glass Support		4 pcs
6-	Bolt for Glass Support		4 pcs

NOTE: Quantities shown are for one table. Bolts are metric screw threads

STEP 1 (Aprons & Legs Assembly)



STEP 2



Align & place glass table top(A) carefully on top of glass table leg support(5) with help of 2 adults.