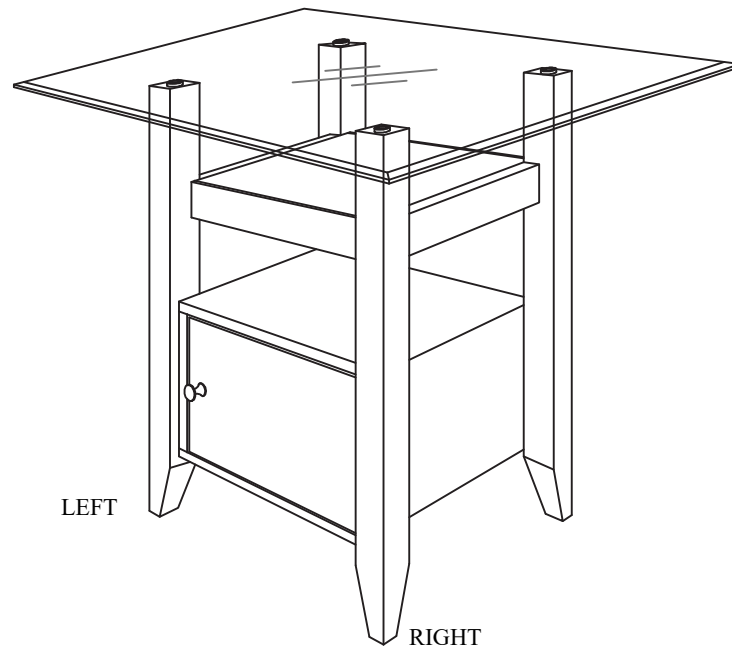


ASSEMBLY INSTRUCTIONS


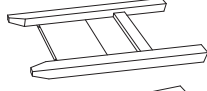
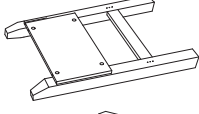
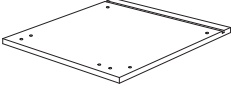
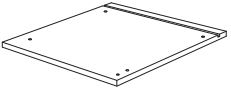

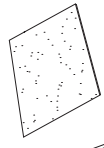
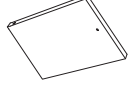

MODEL #D506 COUNTER DINING TABLE



NOTE TO CUSTOMERS:

- For ease and speed of assembly we recommend that before you commence each step of the assembly that you identify all the parts required to complete that step.
- We recommend that where possible you allow sufficient space to assemble the item as close as possible to the place where it will be once assembled.
- For the protection of your furniture we recommend that the product is placed on protected surfaces during assembly to prevent any damage.
- During assembly do not over tighten the screws or bolts, as this may damage the product.
- Please ensure you retain all the product packaging until the item is completely assembled.
- Periodically check all fitting and re-tighten as necessary.
- Never allow any liquids to remain on your furniture as absorption can cause the wood to warp or finish to de-laminate.
- It is recommended that this item should be assembled by two adults.

PARTS IDENTIFICATION

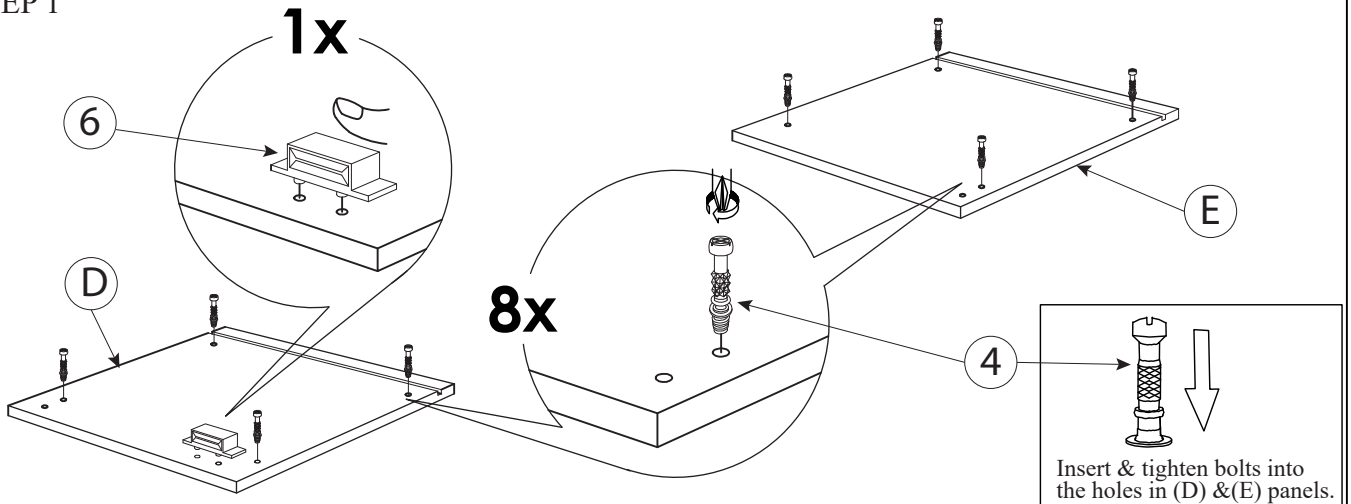
A-	Glass Table Top		1 pc
B-	Leg Frame (Left)		1 pc
C -	Leg Frame (Right)		1 pc
D-	Storage Top Panel		1 pc
E-	Storage Bottom Panel		1 pc
F-	Rails (Front & Rear)		2 pcs
G-	Storage Back Panel		1 pc
H-	Door		1 pc
I-	Upper Shelf Panel		1 pc

HARDWARE IDENTIFICATION

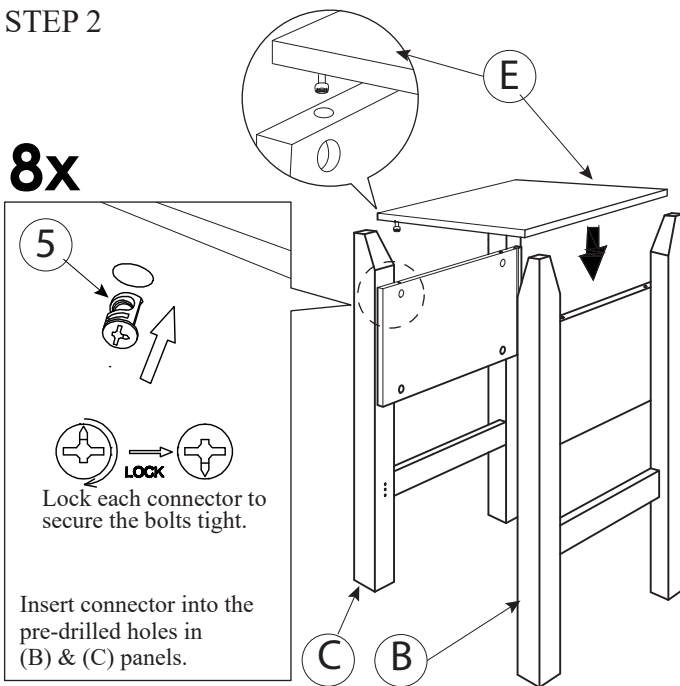
1-	JCBC Bolt M6 x 50mm		4 pcs
2-	Spring Washer		4 pcs
3-	Allen Key		1 pc
4-	Minifix Connecting Bolt		8 pcs
5-	Minifix Connector Housing		8 pcs
6-	Magnet Door Catch		1 pc
7-	Door Knob		1pc
8-	Screw M4 x 25mm		1 pc
9-	Pivot Hinge		2 pcs
10-	Glass Support		4 pcs
11-	Bolt for Glass Support		4 pcs

NOTE: Quantities shown are for one table.

STEP 1

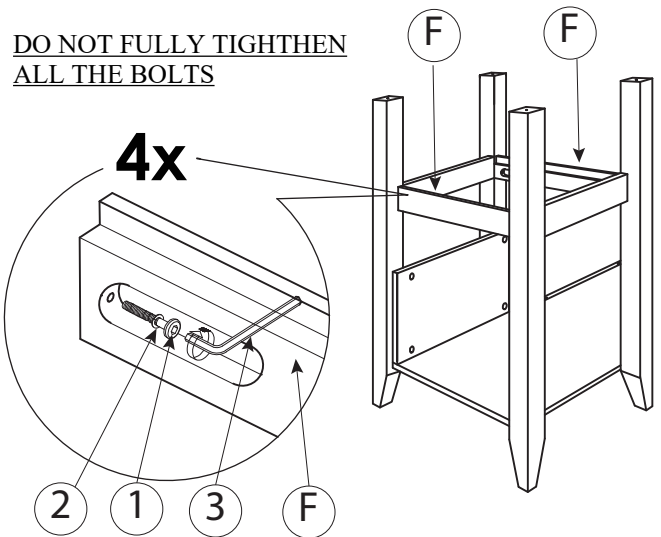


STEP 2



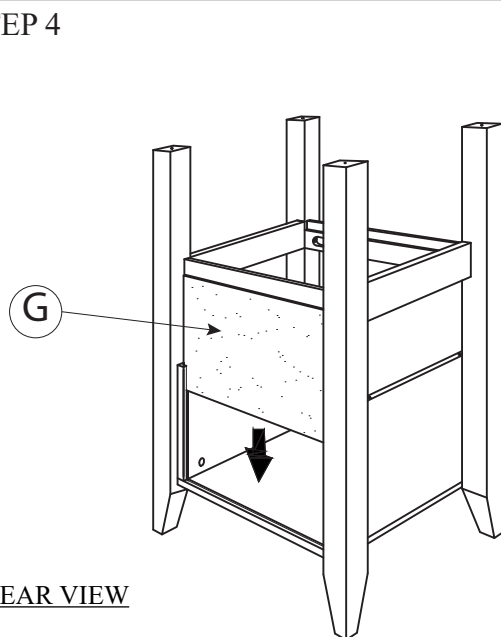
STEP 3

DO NOT FULLY TIGHTEN ALL THE BOLTS



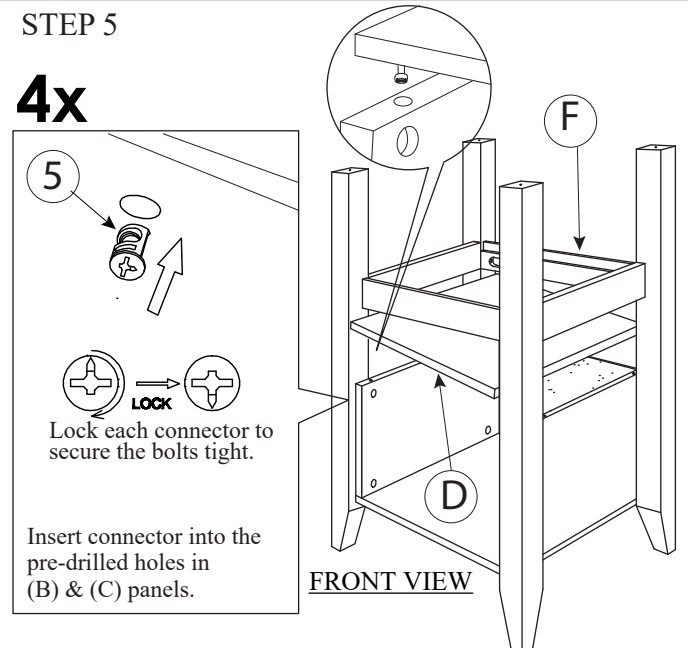
Turn the assembled leg part upright position, and assemble Rail (F) to the both leg frames (C) & (B).

STEP 4



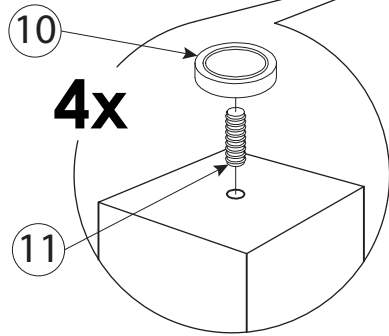
Slide Back Panel (G) into the grooves until fit into the bottom panel.

STEP 5

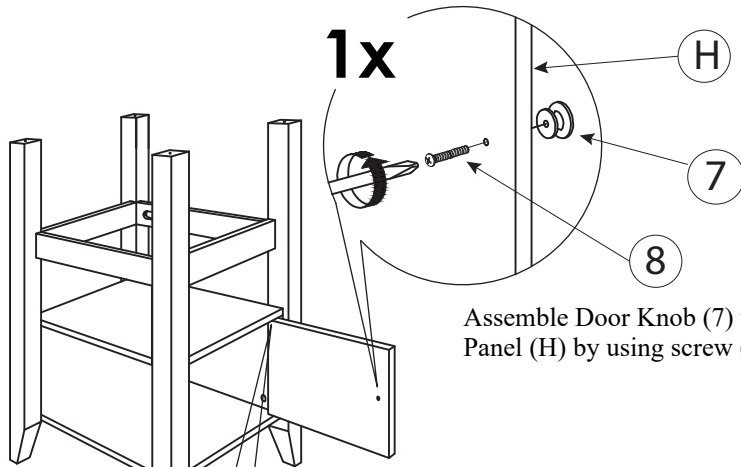


Assemble panel (D) into both leg frames (C) & (B). FULLY TIGHTEN ALL BOLTS at both Rails (F)

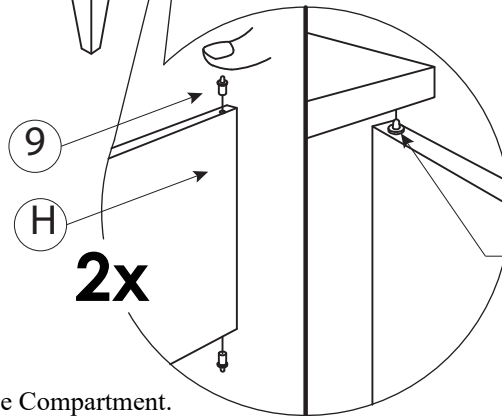
STEP 6



Assemble Glass Table Leg Support (10) using bolt (11) into the Table Legs.



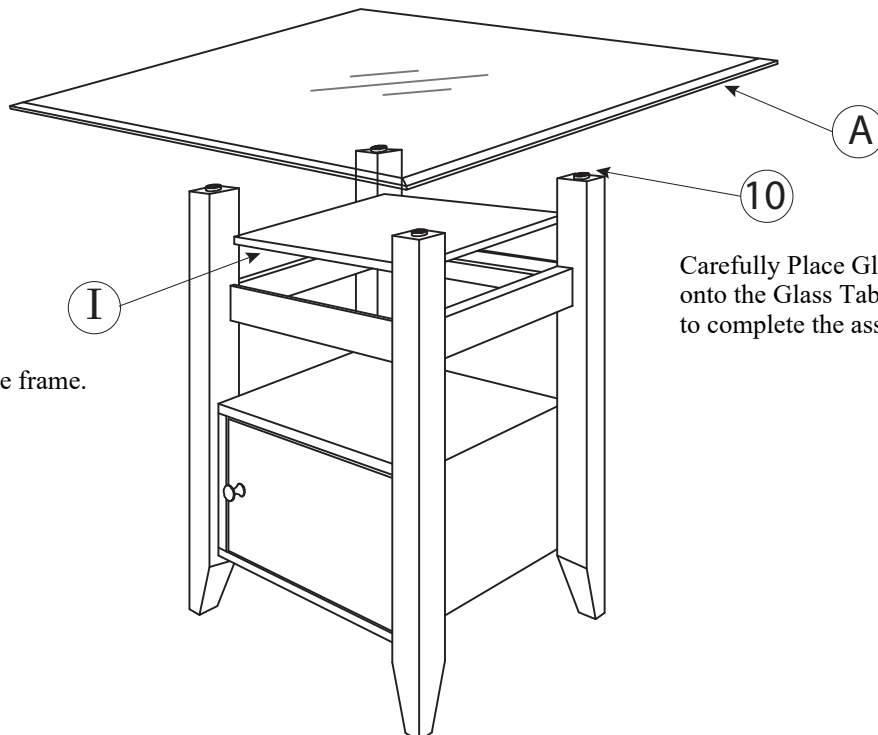
Assemble Door Knob (7) to Door Panel (H) by using screw (8).



Align Pivot Hinges in Door (H) into the Holes in Storage Top Panel and Bottom Panel.

Insert Pivot Hinges (9) into holes in Door Panel (H) to assemble the Door to the Storage Compartment.

STEP 7



Place Shelf (I) into the frame.

Carefully Place Glass Table Top (A) onto the Glass Table Leg Support (10) to complete the assembly.