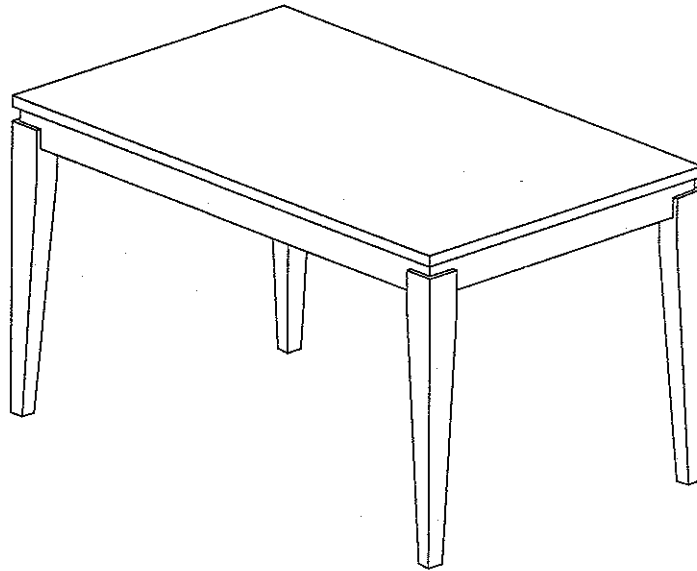




ASSEMBLY INSTRUCTIONS
MODEL # D504-T
DINING TABLE



NOTE TO CUSTOMERS:

- For ease and speed of assembly we recommend that before you commence each step of the assembly that you identify all the parts required to complete that step.
- We recommend that where possible you allow sufficient space to assemble the item as close as possible to the place where it will be once assembled.
- For the protection of your furniture we recommend that the product is placed on protected surfaces during assembly to prevent any damage.
- During assembly do not over tighten the screws or bolts, as this may damage the product.
- Please ensure you retain all the product packaging until the item is completely assembled.
- Periodically check all fittings and re-tighten as necessary.
- Never allow any liquids to remain on your furniture as absorption can cause the wood to warp or finish to de-laminate.
- It is recommended that this item should be assembled by two adults.

ASSEMBLY INSTRUCTIONS
MODEL # D504-T
DINING TABLE

PART LIST		
ITEM	DESCRIPTION	QTY
A	TABLE TOP	1 PC
B	TABLE LEGS	4 PCS

HARDWARE LIST		
ITEM	DESCRIPTION	QTY
1	JCBB M8 X 60mm	8 PCS
2	FLAT WASHER 5/16"	8 PCS
3	SPRING WASHER 5/16"	8 PCS
4	M5 ALLEN KEY	1 PC

IMPORTANT NOTE : PLACE ALL WOODEN PARTS ON A CLEAN AND SMOOTH SURFACE SUCH AS A RUG OR CARPET TO AVOID THE PARTS FROM BEING SCRATCHED.
FIX THE TABLE LEGS(B) TO THE CORNER BLOCK WITH JCBB(C) AND FLAT WASHER (D).
THEN TIGHTEN THE JCBB(C) BY USING THE ALLEN KEY (E).

