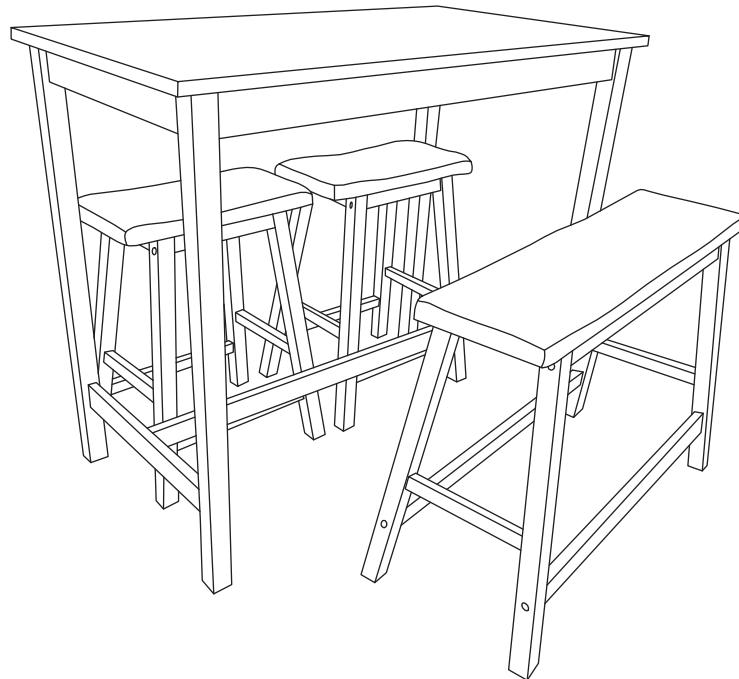


# ASSEMBLY INSTRUCTIONS

## MODEL #D45 4 PC PUB SET

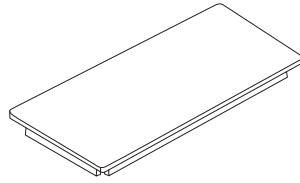


### NOTE TO CUSTOMERS:

- For ease and speed of assembly we recommend that before you commence each step of the assembly that you identify all the parts required to complete that step.
- We recommend that where possible you allow sufficient space to assemble the item as close as possible to the place where it will be once assembled.
- For the protection of your furniture we recommend that the product is placed on protected surfaces during assembly to prevent any damage.
- During assembly do not over tighten the screws or bolts, as this may damage the product.
- Please ensure you retain all the product packaging until the item is completely assembled.
- Periodically check all fitting and re-tighten as necessary.
- Never allow any liquids to remain on your furniture as absorption can cause the wood to warp or finish to de-laminate.
- It is recommended that this item should be assembled by two adults.

**TABLE SET**  
PARTS IDENTIFICATION

A- Table Top



1 pc

B- Table Leg (L)



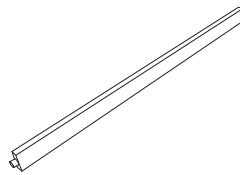
2 pcs

C - Table Leg (R)



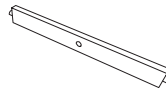
2 pcs

D - Stretcher (Long)



1pc

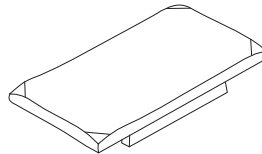
E - Stretcher (Short)



2pcs

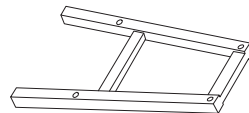
**2 STOOL**  
PARTS IDENTIFICATION

F- Stool Top



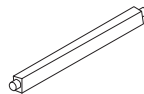
2 pcs

G- Stool Leg



4 pcs

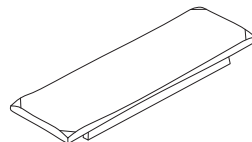
H - Stretcher (Short)



2 pcs

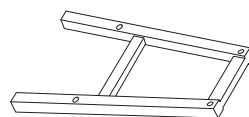
**BENCH**  
PARTS IDENTIFICATION

I- Bench Top



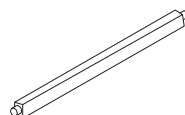
1 pc

G- Stool Leg



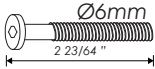


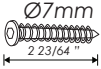
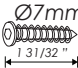


2 pcs

J - Stretcher (Long)



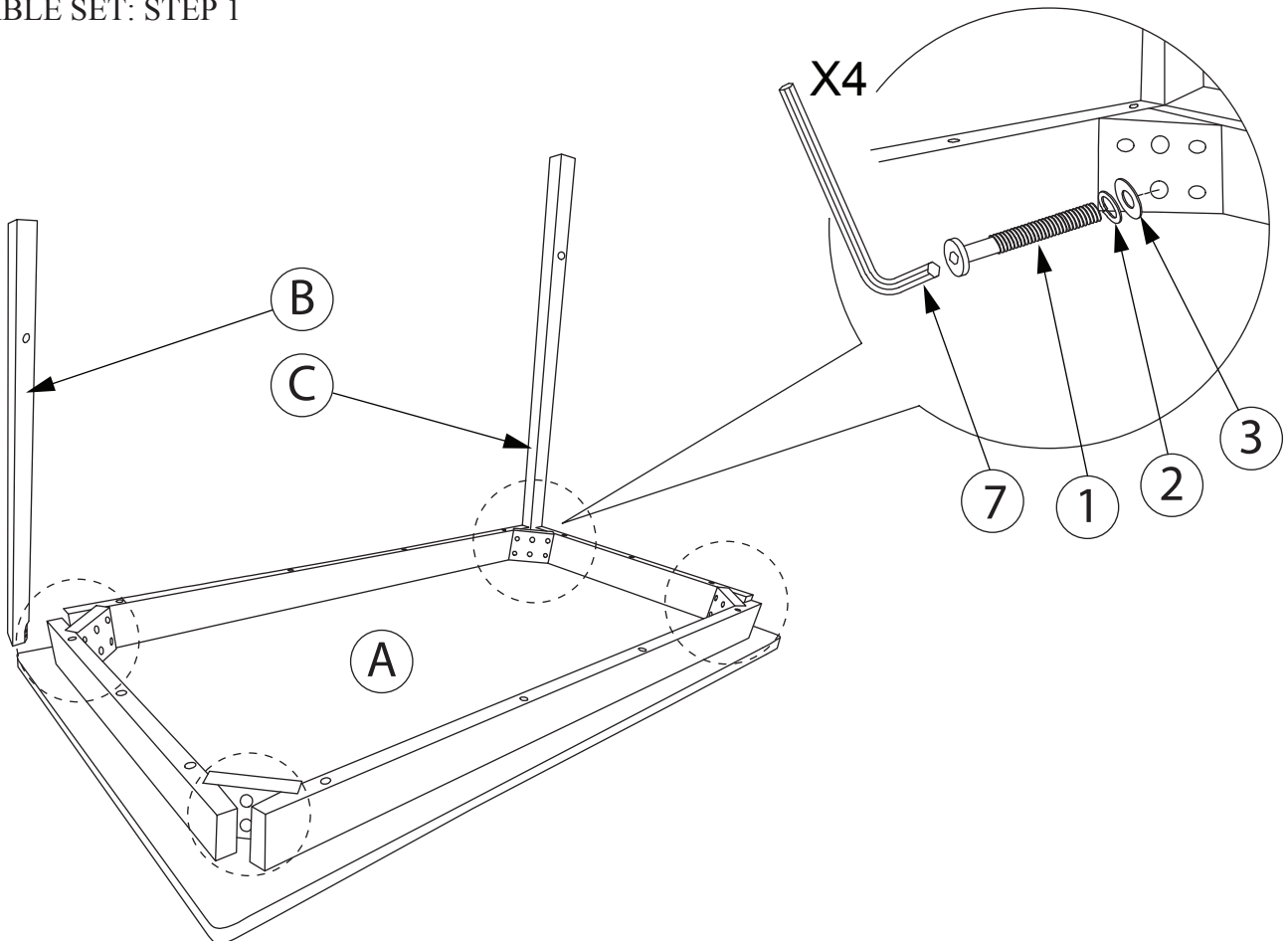
2 pcs

## HARDWARE IDENTIFICATION

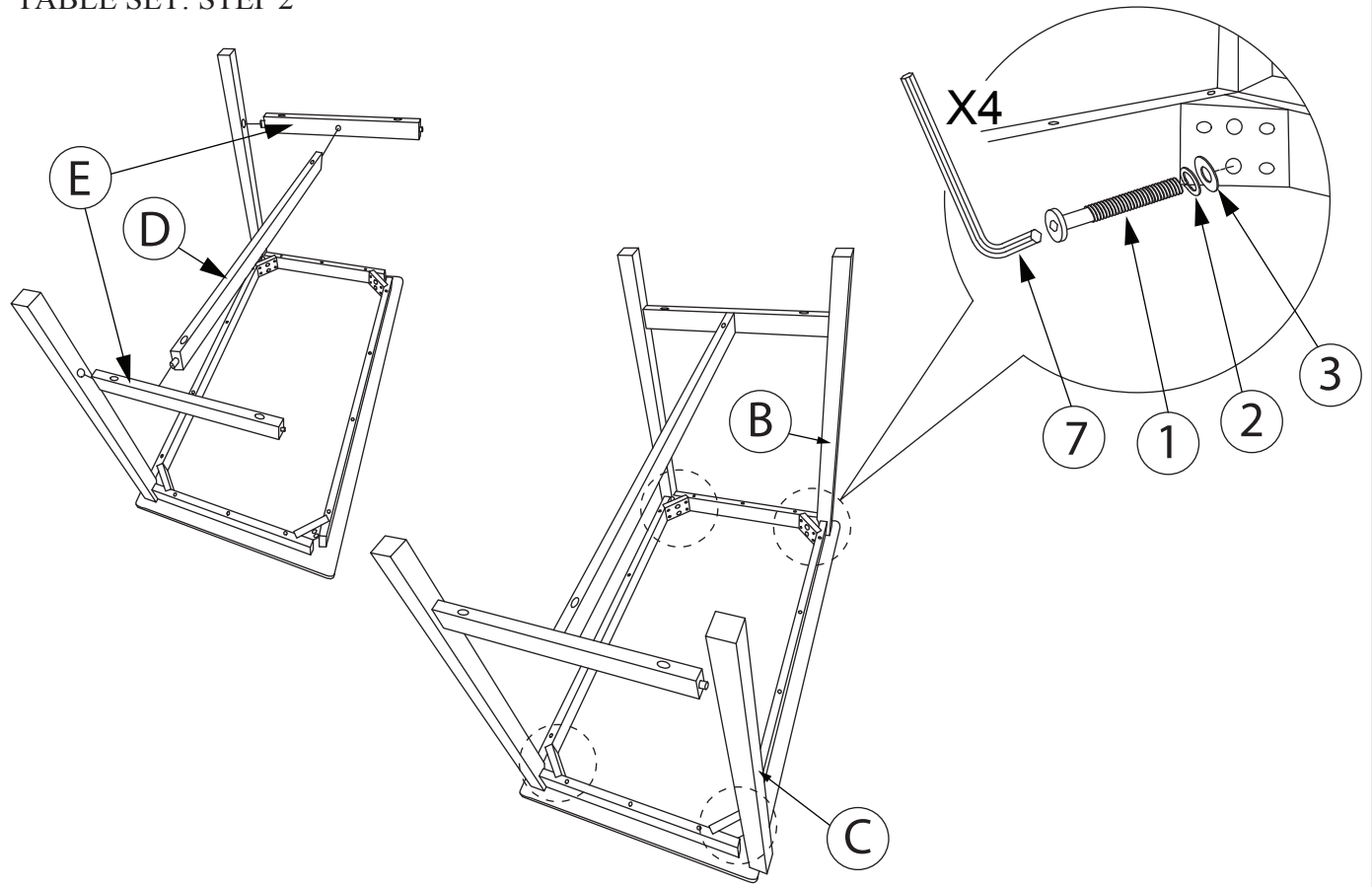
1-	JCBC M6 x 60mm		8 pcs
2-	Spring Washer M8		32 pcs
3-	Flat Washer M7		8 pcs
4-	JCBC/W (Long) M7 x 60mm		12 pcs
5-	JCBC/W (Short) M7 x 50mm		12 pcs
6-	Wood Screw M4 x 38mm		6 pcs
7-	Allen Key M4		1 pc

NOTE: Quantities shown are for one table.  
 WARNING: Do Not over Tighten the bolts and screw.

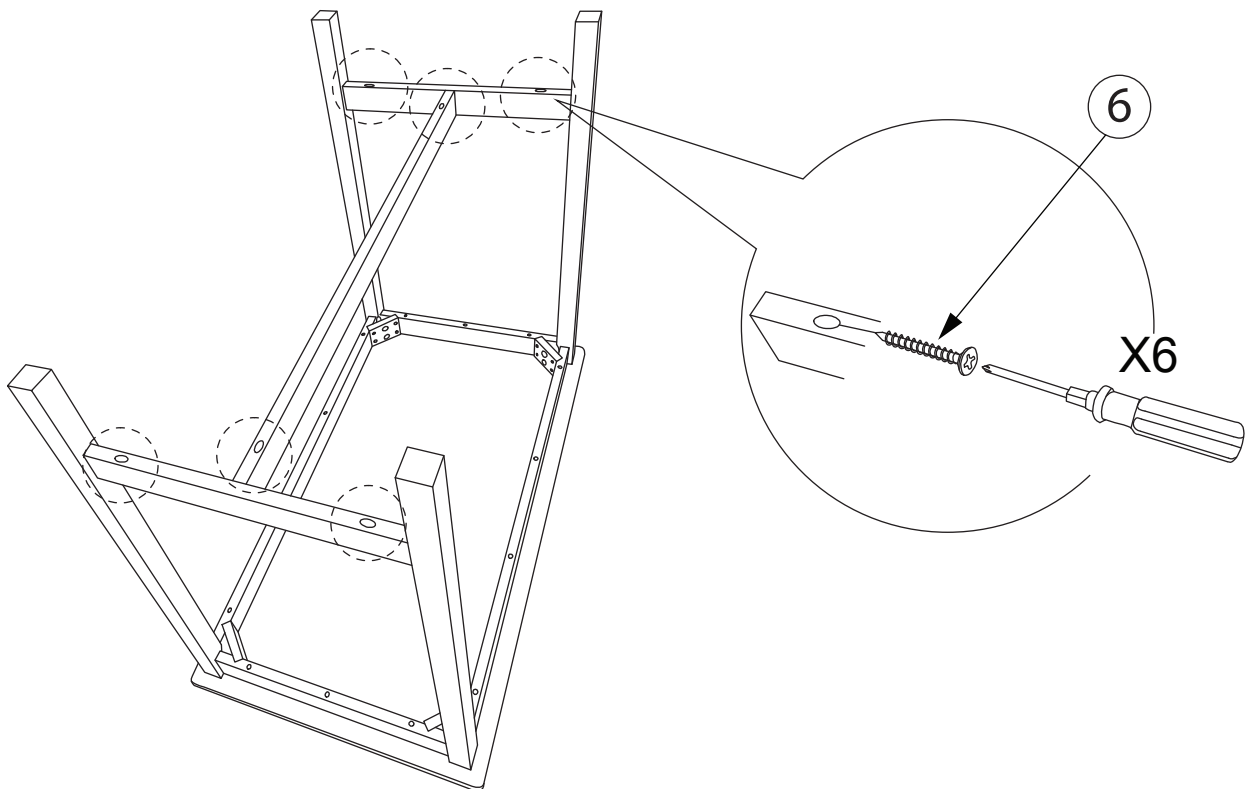
### TABLE SET: STEP 1



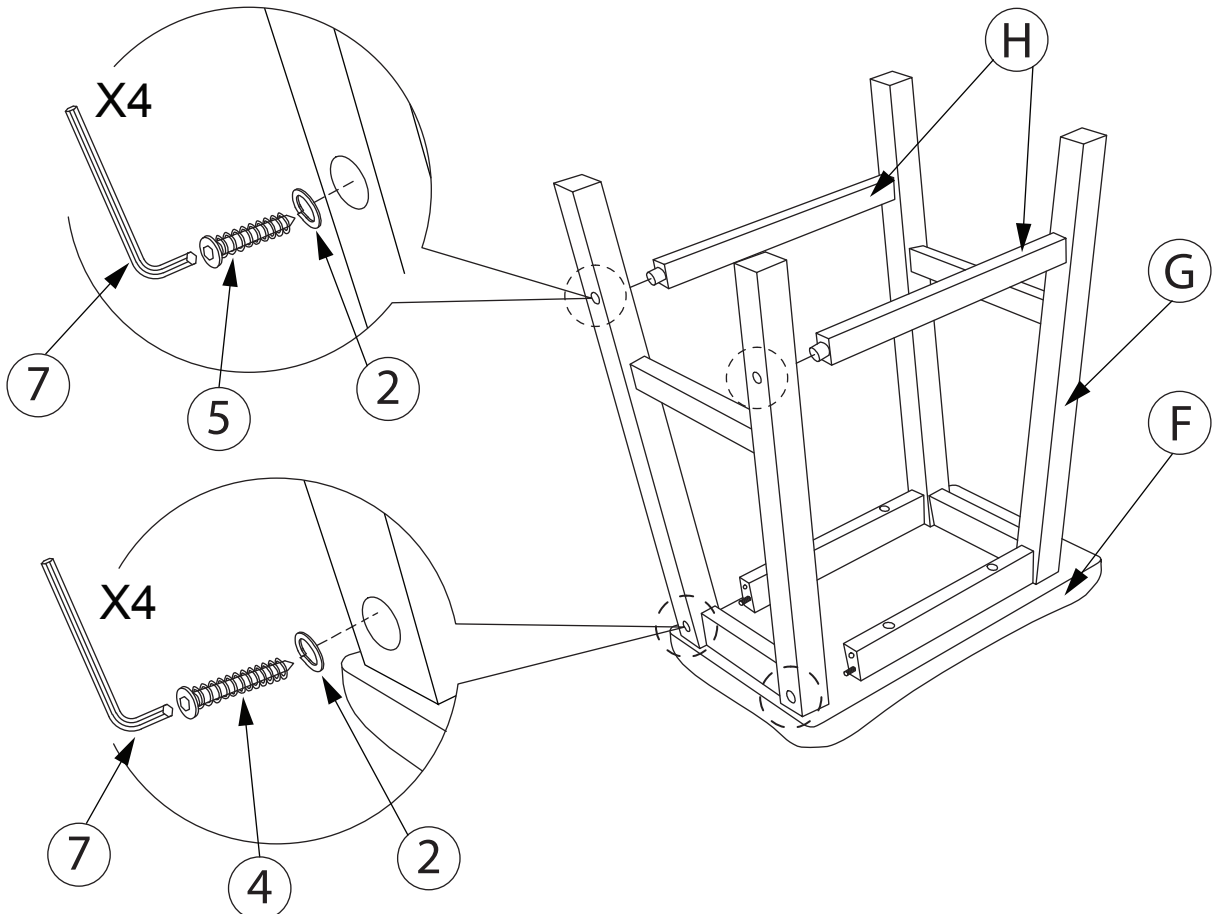
### TABLE SET: STEP 2



### TABLE SET: STEP 3



**2 STOOL: STEP 4**



**BENCH: STEP 5**

