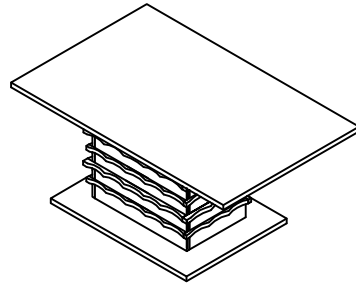


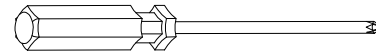
Assembly Instructions

Style # D25 Dinette Table

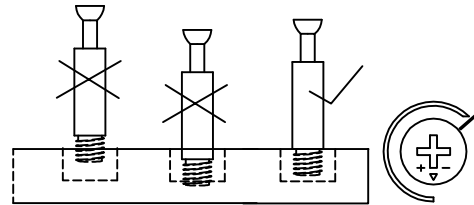


It is recommended that this item should be assembled by two adults.

Tools Required



Phillips screwdriver



Note: Please don't over tighten the cam screws. Assume the cam screw fits in the plastic threaded insert. Otherwise, the cam nut might not be able to catch the cam screws.

Hardware Provided



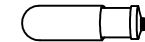
B1 22SETS



B2 20pcs



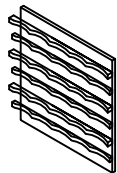
B3 10pcs



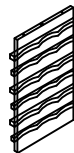
B4 1PCS

Apply a little glue B4 into the wood dowel holes when inserting wood dowels.

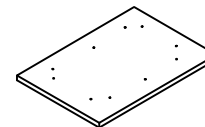
Wooden Parts



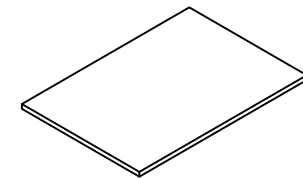
A1 2PCS
Long side panel



A2 2PCS
Short side panel

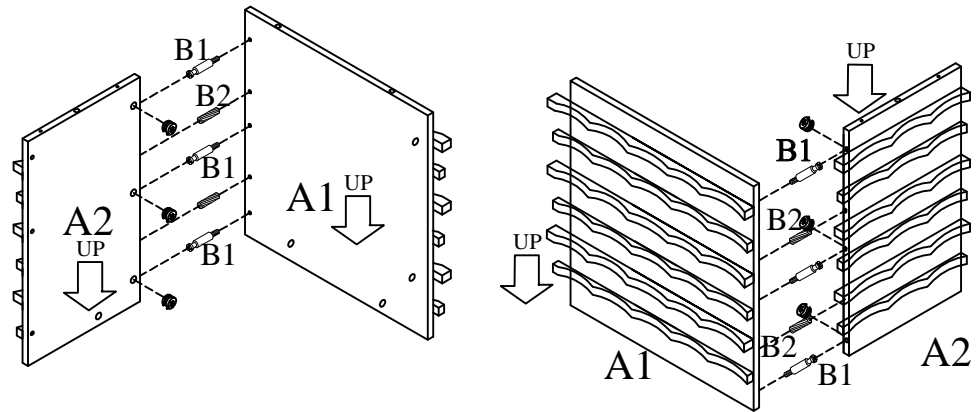


A3 1PC
Bottom panel

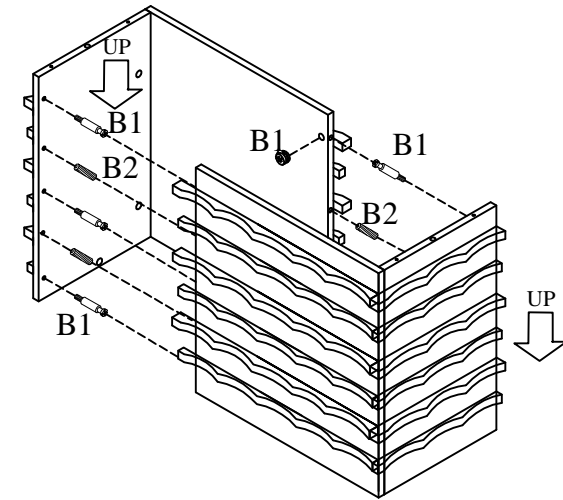


A4 1PC
Top panel

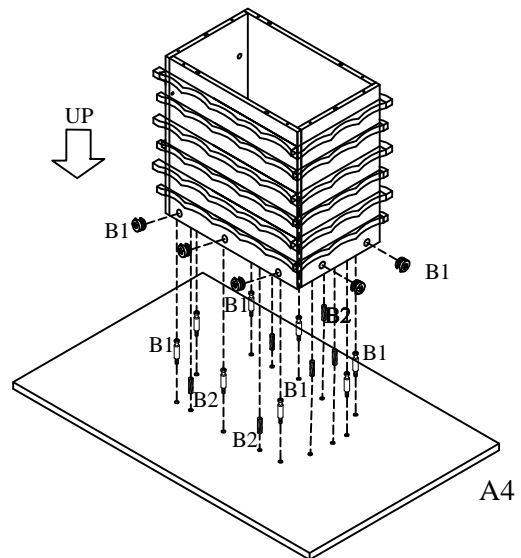
Step 1



Step 2



Step 3



Step 4

