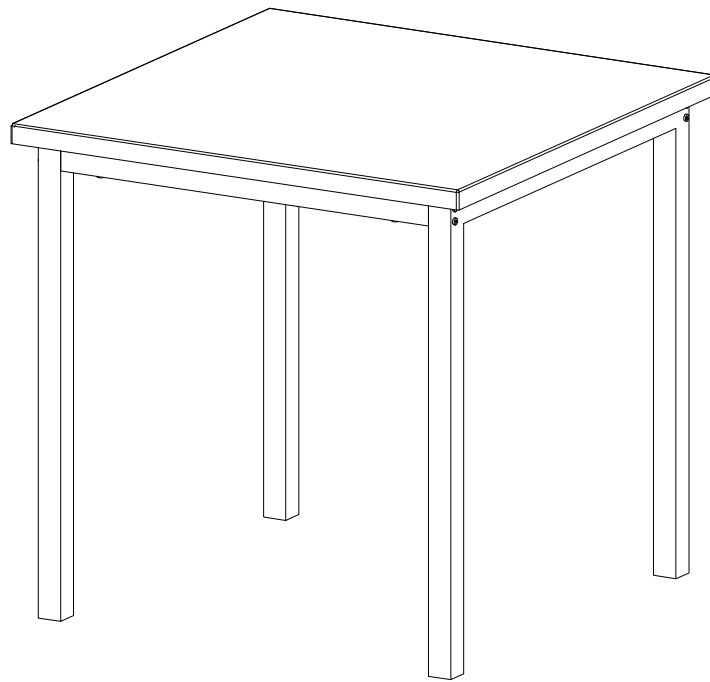


# ASSEMBLY INSTRUCTIONS

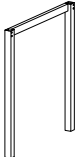

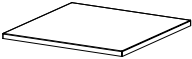
Style# D107-4 Table





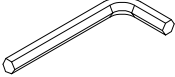
## NOTE TO CUSTOMERS:

- For ease and speed of assembly we recommend that before you commence each step of the assembly that you identify all the parts required to complete that step.
- We recommend that where possible you allow sufficient space to assemble the item as close as possible to the place where it will be once assembled.
- For the protection of your furniture we recommend that the product is placed on protected surfaces during assembly to prevent any damage.
- During assembly do not over tighten, as this may damage the product.
- Please ensure you retain all the product packaging until the item completely assembled.
- Please periodically check all fittings and re-tighten as necessary.
- It is recommended that this item should be assembled by two adults.

## PART LIST:

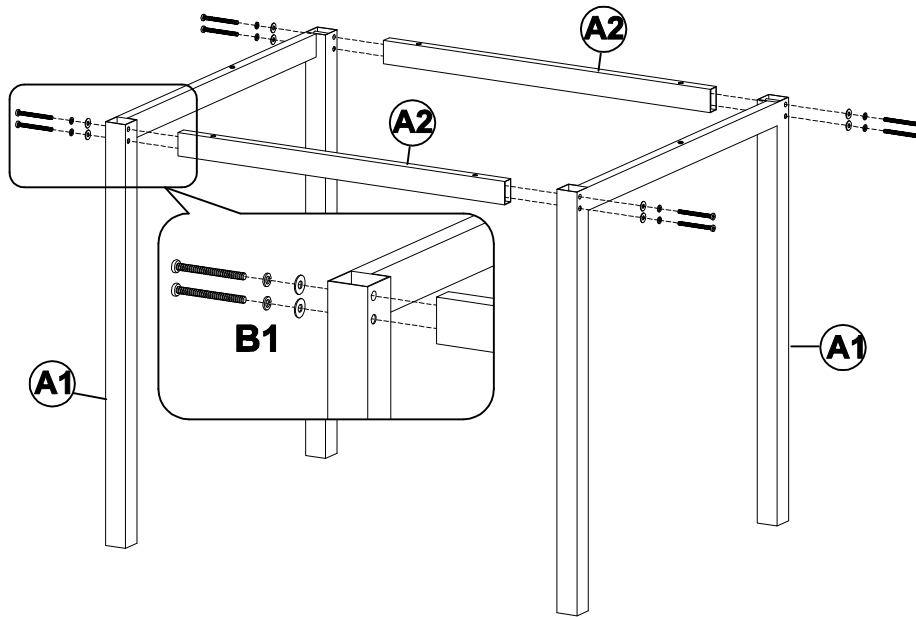
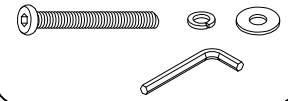
A1		LEG(L&R)	2PCS
A2		CROSS BAR	2PCS
A3		TOP PANEL	1PC

## HARDWARE LIST:

B1		BOLTS(M6*65mm)&WASHERS	8SETS
B2		BOLTS(M6*55mm)&WASHERS	6SETS
		ALLEN WRENCH(4mm)	1PC

**Step:1**

**B1 8SETS**



Place the table frame on the floor to check if it is stable before tightening bolts B1.

**Step:2**

**B2 6SETS**

