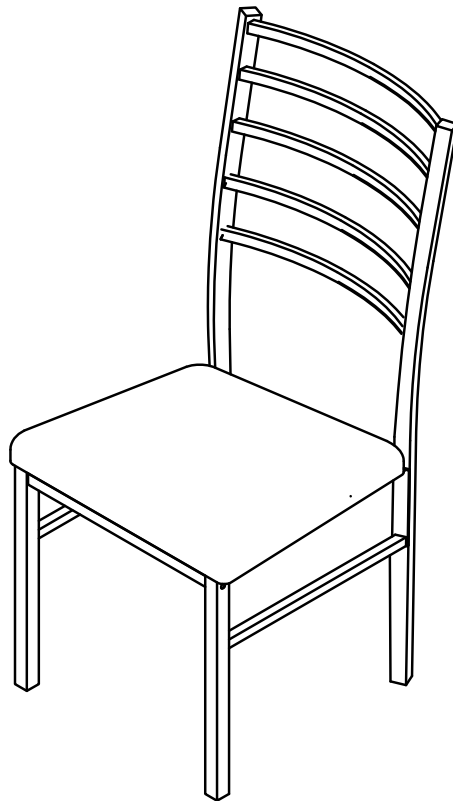


ASSEMBLY INSTRUCTIONS

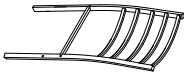
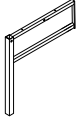
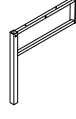
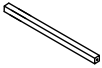
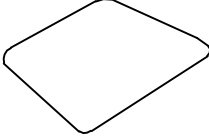
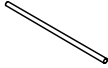
Style#D107-2 Chair








NOTE TO CUSTOMERS:

- For ease and speed of assembly we recommend that before you commence each step of the assembly that you identify all the parts required to complete that step.
- We recommend that where possible you allow sufficient space to assemble the item as close as possible to the place where it will be once assembled.
- For the protection of your furniture we recommend that the product is placed on protected surfaces during assembly to prevent any damage.
- During assembly do not over tighten, as this may damage the product.
- Please ensure you retain all the product packaging until the item completely assembled.
- Please periodically check all fittings and re-tighten as necessary.
- It is recommended that this item should be assembled by two adults.

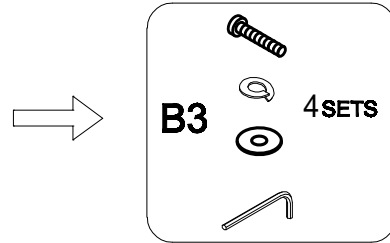
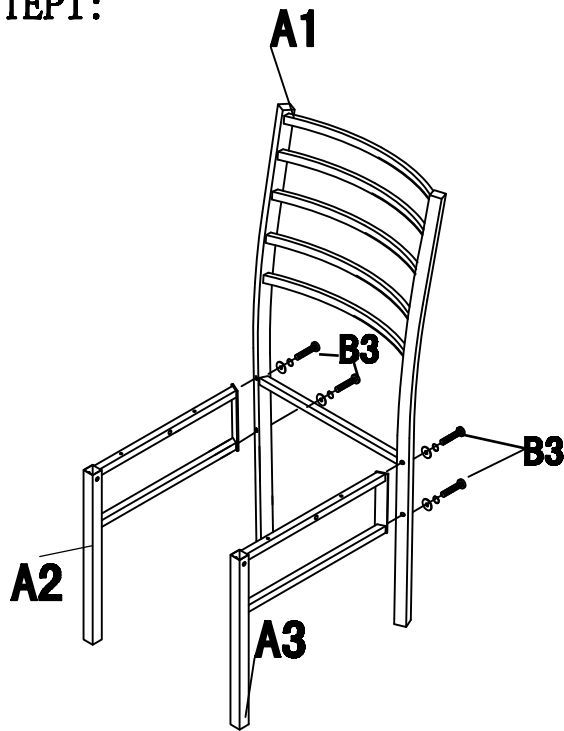
PART LIST:

A1		BACK FRAME	2PCS
A2		LEFT LEG	2PCS
A3		RIGHT LEG	2PCS
A4		CROSS BAR	2PCS
A5		CUSHION SEAT	2PCS
A6		CROSS BAR	2PCS

HARDWARE LIST:

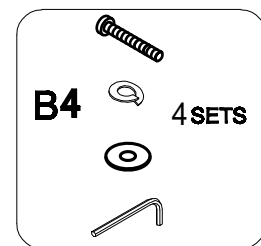
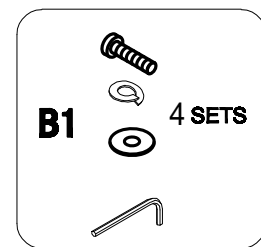
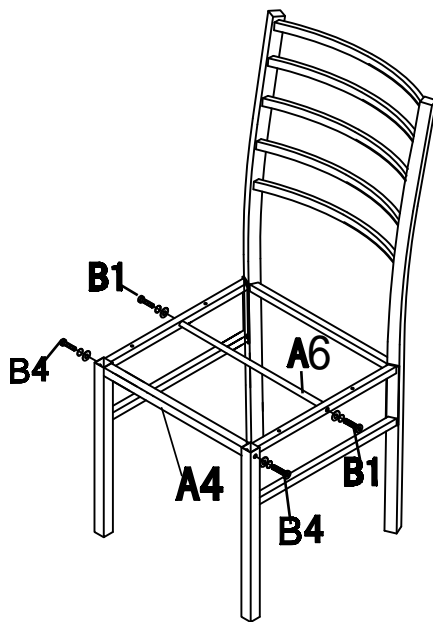
B1		BOLTS(M6*30mm)&WASHERS	4SETS
B2		SCREWS(M4*30mm)	8PCS
B3		BOLTS(M6*40mm)&WASHERS	8SETS
B4		BOLTS(M6*45mm)&WASHERS	4SETS
		ALLEN WRENCH(4mm)	

STEP1:



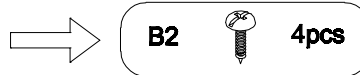
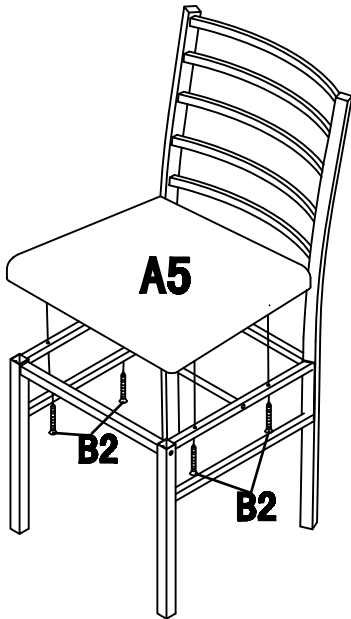
Please do not tighten Bolts B3 until step 3.

STEP2:



Please do not tighten Bolts B1&B4 until step 3.

STEP3:



Warning:

- 1). Do not stand on this chair and do not use it as a step ladder.
- 2). Do not use this chair unless all bolts and screws are assembled and tightened.
- 3). Periodically check all hardware and make sure that they are tightened.
- 4). Max load capacity: 250LBS
- 5). Failing to follow these warnings could result in serious injury.

NOTE:

Place the chair on the floor and check if it is stable before tightening bolts B1&B3&B4.