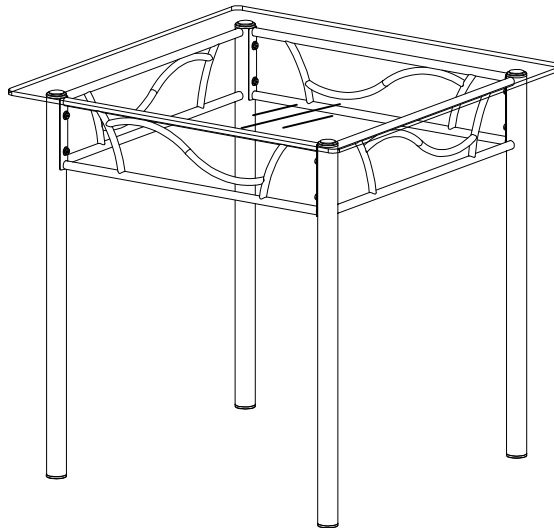


ASSEMBLY INSTRUCTION

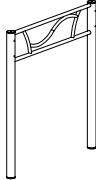
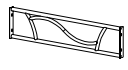

Style#D106-4 Table 30x30





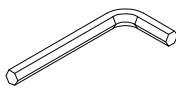
NOTE TO CUSTOMERS:

- For ease and speed of assembly we recommend that before you commence each step of the assembly that you identify all the parts required to complete that step.
- We recommend that where possible you allow sufficient space to assemble the item as close as possible to the place where it will be once assembled.
- For the protection of your furniture we recommend that the product is placed on protected surfaces during assembly to prevent any damage.
- During assembly do not over tighten, as this may damage the product.
- Please ensure retain all the product packaging until the item completely assembled.
- Please periodically check all fittings and re-tighten as necessary.
- It is recommended that this item should be assembled by two adults.

PART LIST:

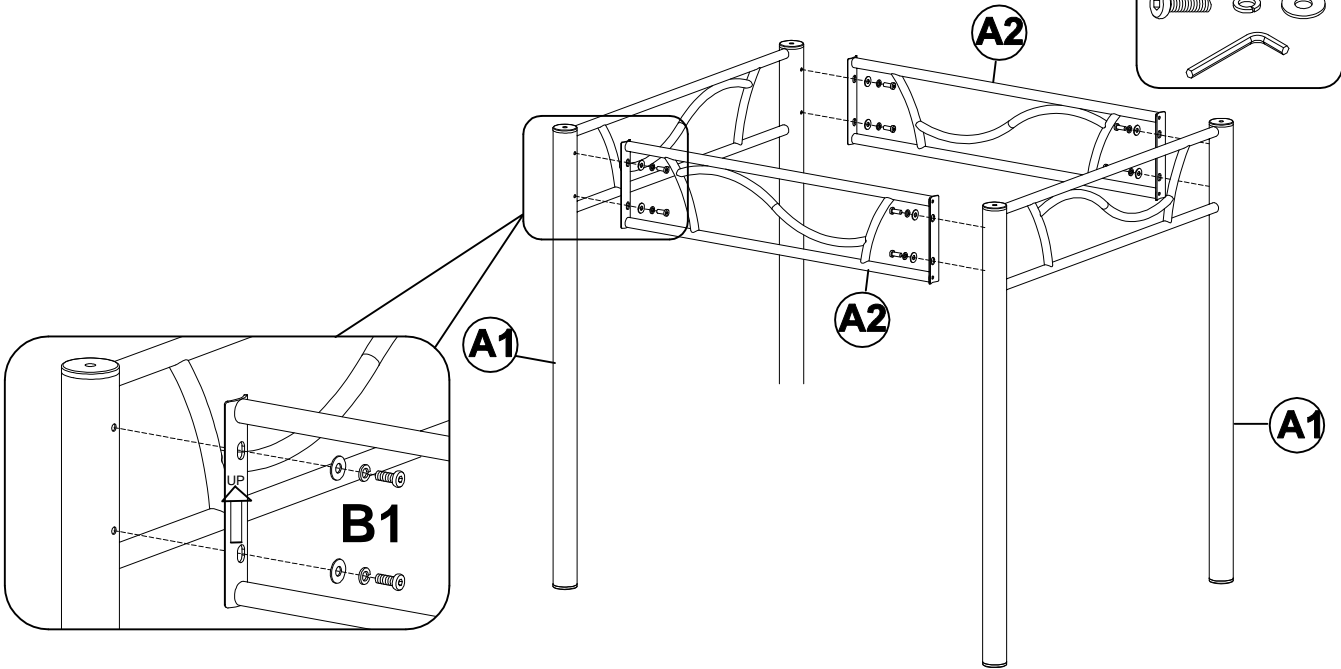
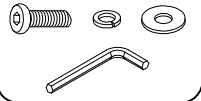
A1		LEG	2PCS
A2			2PCS
A3		TOP CLASS	1PC

HARDWARE LIST:

B1		BOLTS(M6*15mm)&WASHERS	8SETS
B2		PLASTIC CUP (glass panel holder)	4PCS
		ALLEN WRENCH(4mm)	1PC

Step:1

B1 8SETS



Do not tighten bolts B1 until all of them are attached, place this table on the floor to check if it is stable before tighten bolts B1.

Step:2

B2 4PCS

