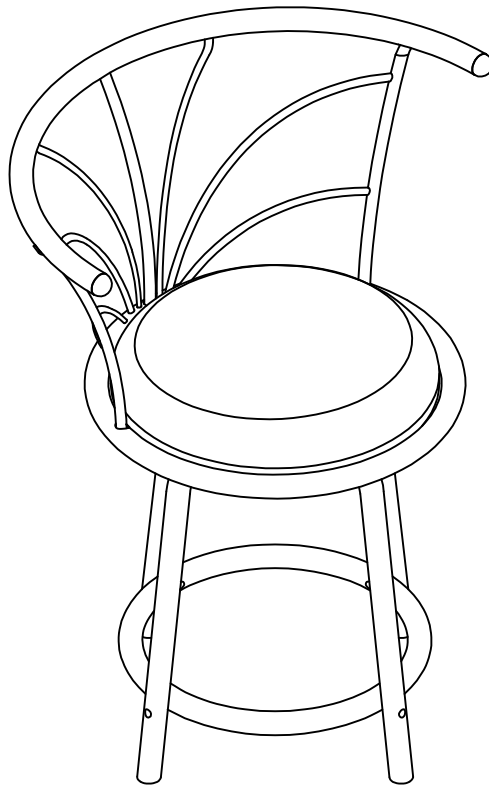


ASSEMBLY INSTRUCTIONS

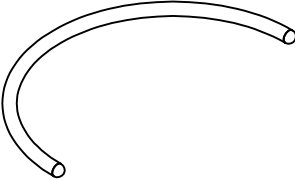
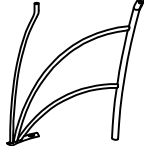


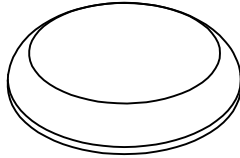
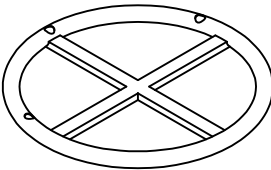
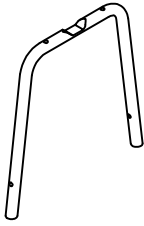
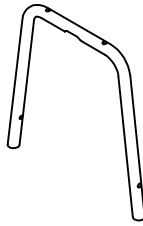
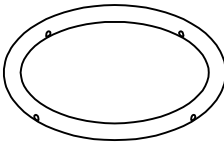
Style # D1025&D1026 Breakfast Chair



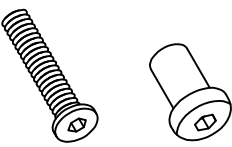
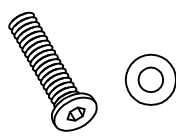

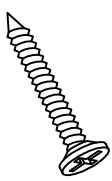

NOTE TO CUSTOMERS:

- For ease and speed of assembly we recommend that before you commence each step of the assembly that you identify all the parts required to complete that step.
- We recommend that where possible you allow sufficient space to assemble the item as close as possible to the place where it will be once assembled.
- For the protection of your furniture we recommend that the product is placed on protected surfaces during assembly to prevent any damage.
- During assembly do not over tighten, as this may damage the product.
- Please ensure you retain all the product packaging until the item completely assembled.
- Please periodically check all fittings and re-tighten as necessary.
- It is recommended that this item should be assembled by two adults.

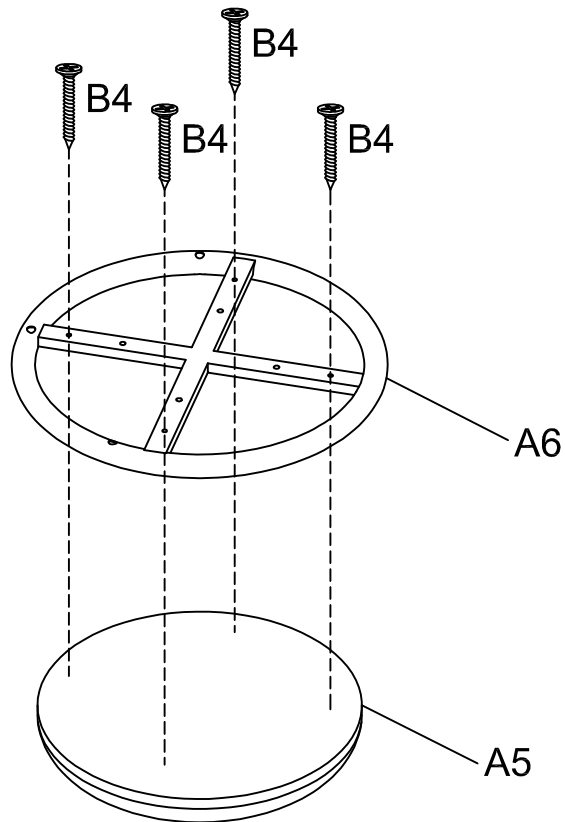
PART LIST

<p>A1. Quantity of 1X2</p>  <p>Connect Bar</p>	<p>A2. Quantity of 2X2</p>  <p>Left Backrest</p>	<p>A3. Quantity of 2X2</p>  <p>Right Backrest</p>	<p>A4. Quantity of 1X2</p>  <p>Middle Backrest</p>
<p>A5. Quantity of 1X2</p>  <p>Seat Cushion</p>	<p>A6. Quantity of 1X2</p>  <p>Seat Frame</p>	<p>A7. Quantity of 1X2</p>  <p>Leg</p>	<p>A8. Quantity of 1X2</p>  <p>Leg</p>
<p>A9. Quantity of 1X2</p>  <p>Bottom Frame</p>			

HARDWARE LIST

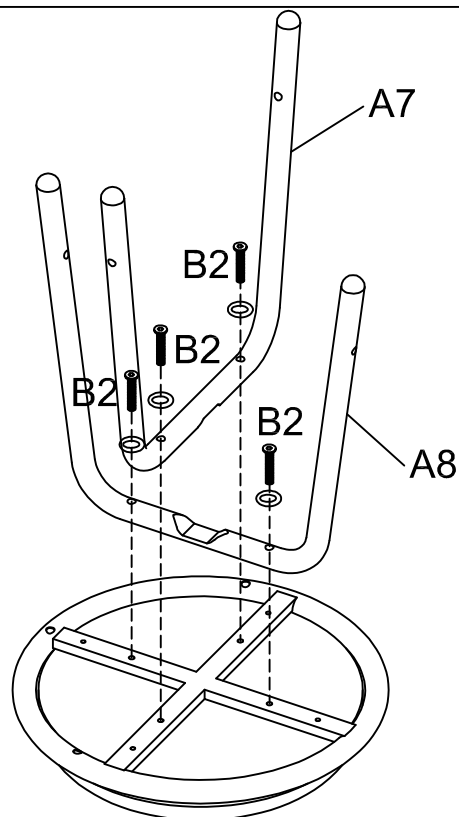
<p>B1. Quantity of 4X2</p>  <p>Bolt with nut</p>	<p>B2. Quantity of 4X2</p>  <p>Bolt with washer</p>	<p>B3. Quantity of 8X2</p>  <p>Bolt</p>	<p>B4. Quantity of 4X2</p>  <p>Screw</p>
 <p>Allen Wrench</p>			

Step 1



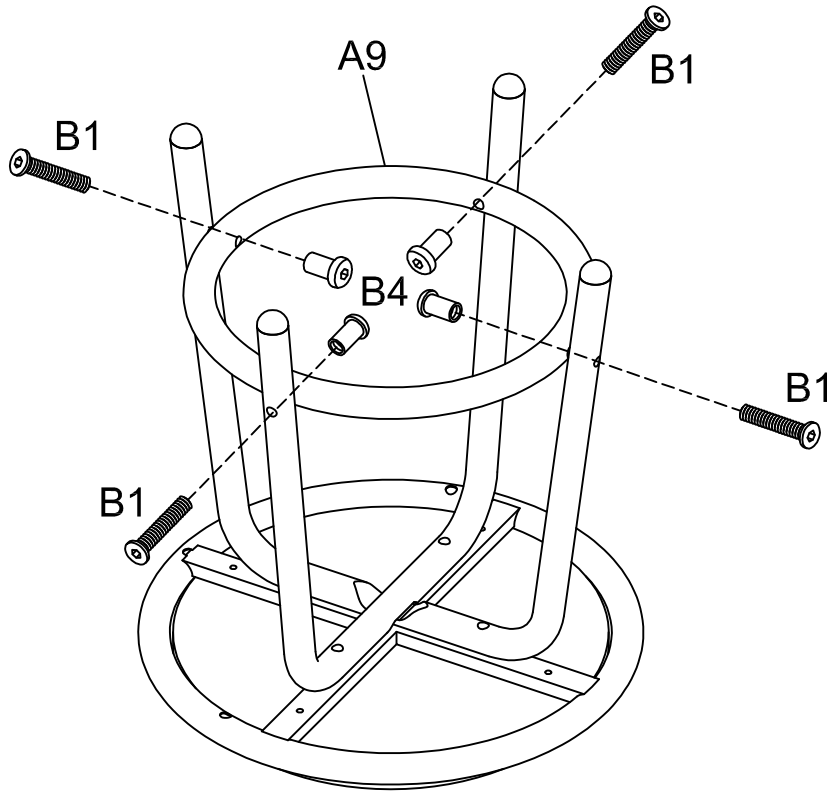
Attach and tighten Seat Frame A6 to the center of Seat Cushion A5 using Screws B4.


Step 2



Attach Legs A7&A8 to Seat Frame A6 using Bolts B2 with washers.
Note: Please do not tighten Bolts B2 until Step 5.

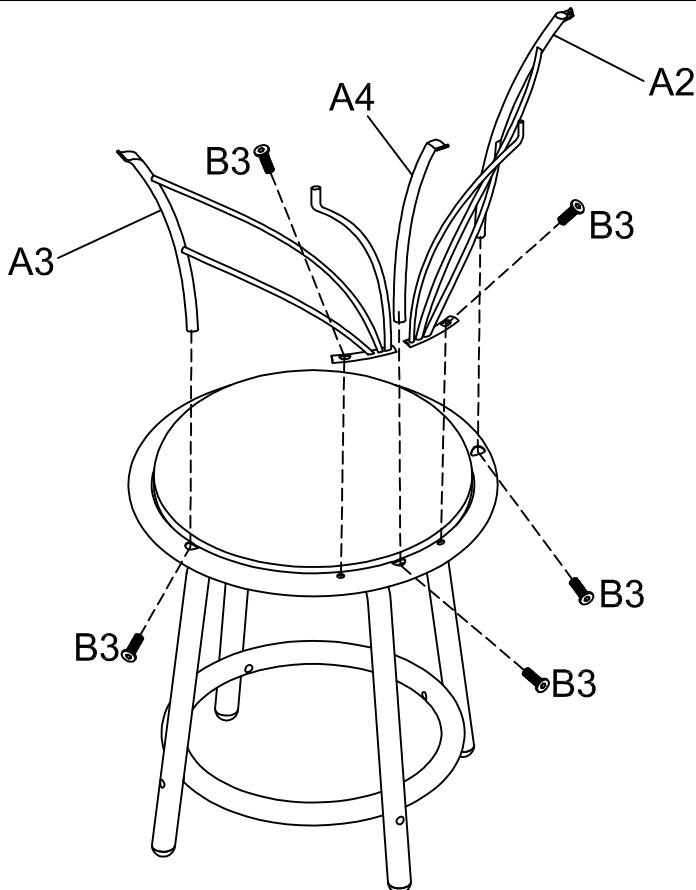
Step 3

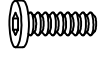


B1  4sets

Attach Bottom Frame A9 to Legs A7&A8 using Bolts B1 with washers.
Note:Please do not tighten Bolts B1 until Step 5.

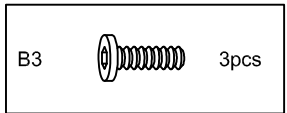
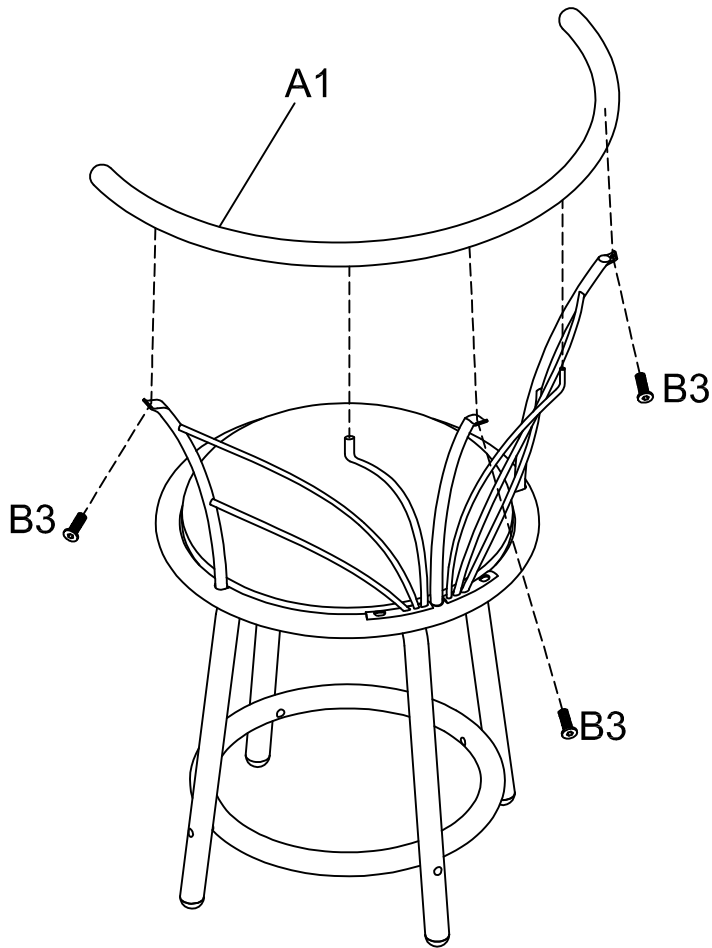
Step 4



B3  5pcs

Attach Backrests A2&A3&A4 to Seat Frame A6 using Bolts B3.
Note:Please do not tighten Bolts B3 until Step 5.

Step 5



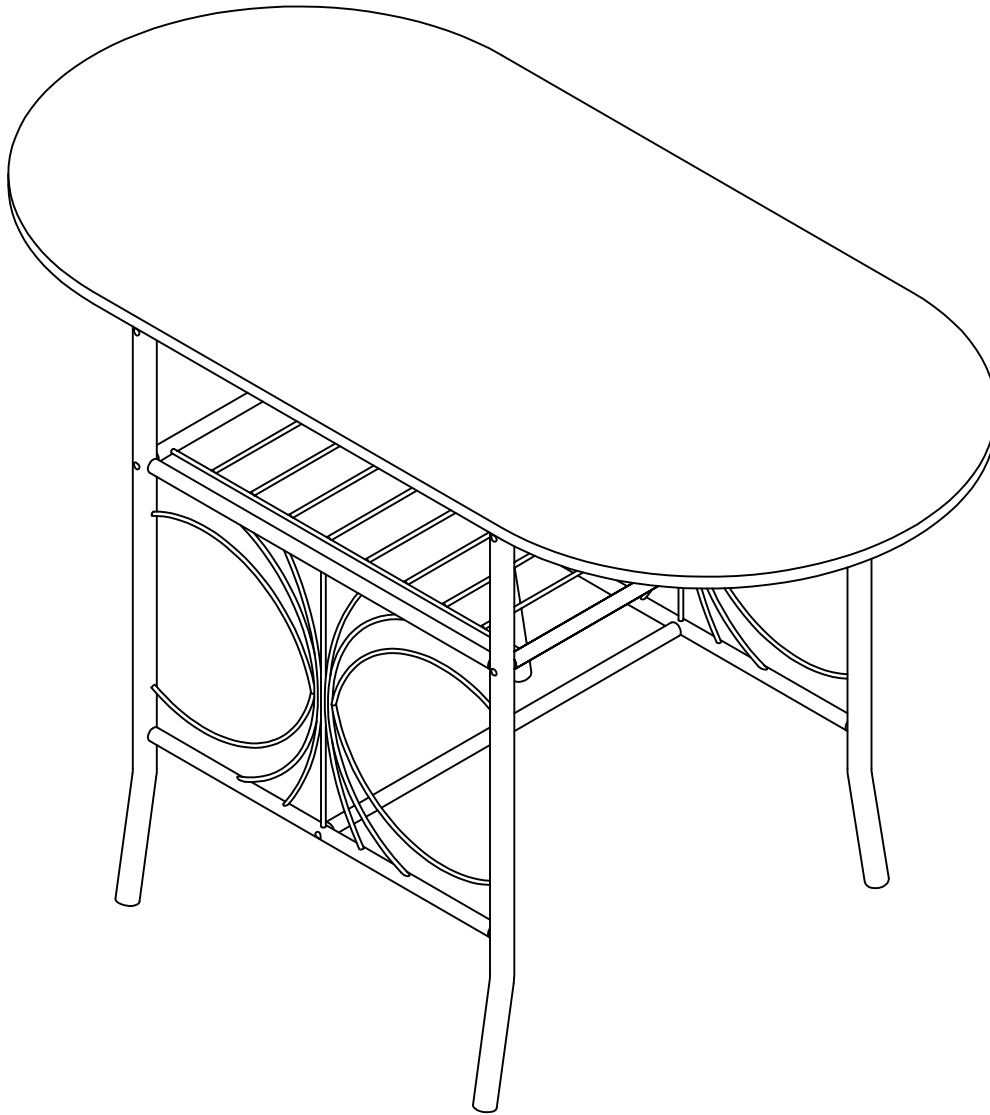
Attach Connect Bar B1 to Backrests A2&A3&A4 using Bolts B3.
Note: Please place the chair to the floor to check if it is stable before tighten all bolts in 100%.

APPENDIX: Dimension of hardware in this AI.

<p>B1</p> <p>Bolt $1\text{-}\frac{9}{16}\text{''L}$ $\text{Ø}\frac{1}{4}\text{''}$ Nut</p>	<p>B2</p> <p>Bolt $1\text{-}\frac{3}{8}\text{''L}$ $\text{Ø}\frac{1}{4}\text{''}$</p>
<p>B3</p> <p>Bolt $\frac{1}{2}\text{''L}$ $\text{Ø}\frac{1}{4}\text{''}$</p>	<p>B4</p> <p>Screw 1''L $\frac{1}{8}\text{''}$</p>

ASSEMBLY INSTRUCTIONS

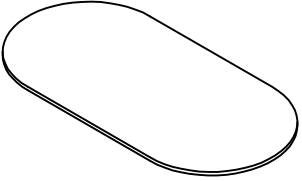
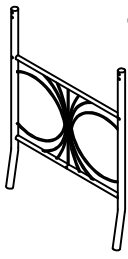
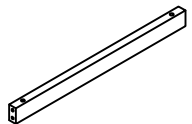
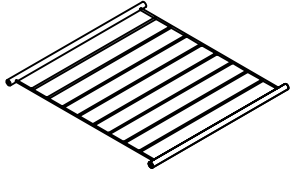
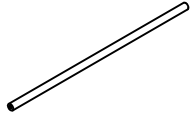
Style # D1025&D1026 Breakfast Table



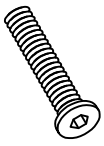

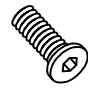

NOTE TO CUSTOMERS:

- For ease and speed of assembly we recommend that before you commence each step of the assembly that you identify all the parts required to complete that step.
- We recommend that where possible you allow sufficient space to assemble the item as close as possible to the place where it will be once assembled.
- For the protection of your furniture we recommend that the product is placed on protected surfaces during assembly to prevent any damage.
- During assembly do not over tighten, as this may damage the product.
- Please ensure you retain all the product packaging until the item completely assembled.
- Please periodically check all fittings and re-tighten as necessary.
- It is recommended that this item should be assembled by two adults.

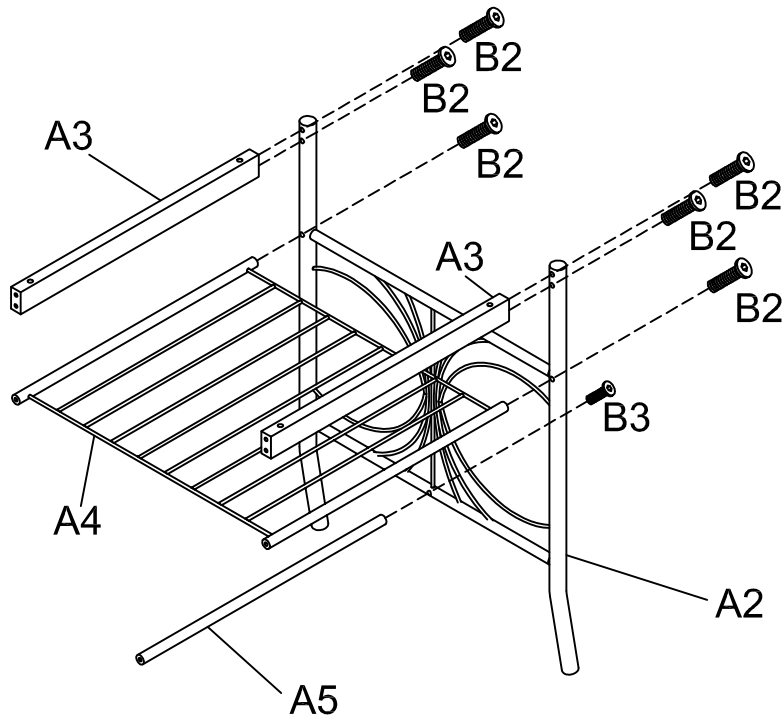
PART LIST

<p>A1. Quantity of 1</p>  <p>Table Top</p>	<p>A2. Quantity of 2</p>  <p>Side Frame</p>	<p>A3. Quantity of 2</p>  <p>Upper Connect Bar</p>	<p>A4. Quantity of 1</p>  <p>Net Rack</p>
<p>A5. Quantity of 1</p>  <p>Lower Connect Bar</p>			

HARDWARE LIST

<p>B1. Quantity of 4</p>  <p>Bolt</p>	<p>B2. Quantity of 12</p>  <p>Bolt</p>	<p>B3. Quantity of 2</p>  <p>Bolt</p>	 <p>Allen Wrench</p>
--	---	--	---

Step 1

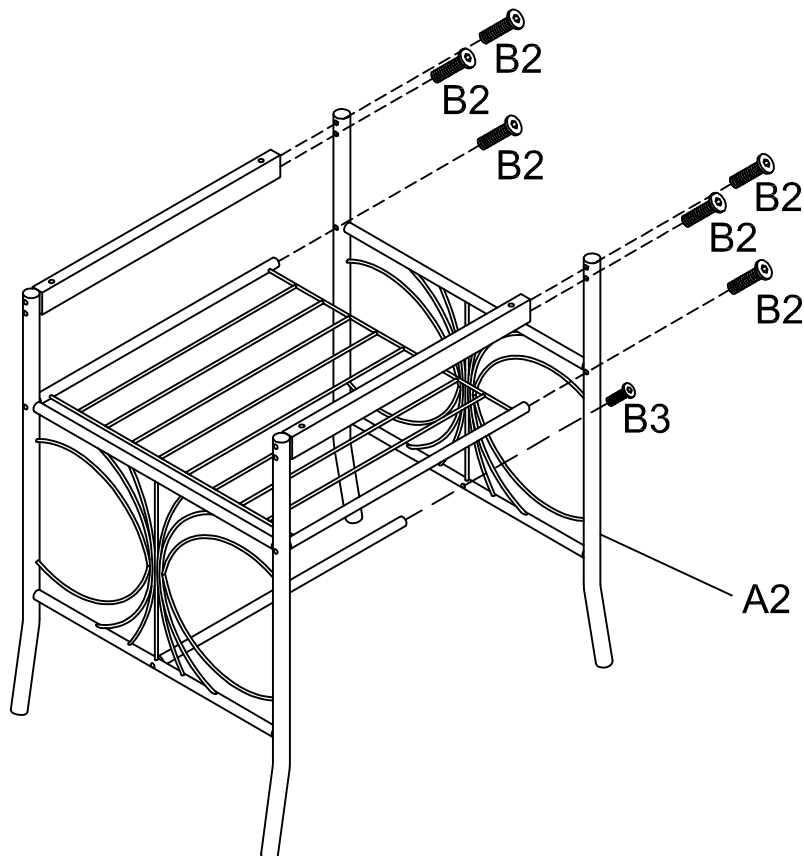


B2  6pcs

B3  1pcs

Assemble Connect Bars A3&A5 to Side Frame A2 using Bolts B2&B3.
Note: Please do not tighten all bolts until Step 3.

Step 2

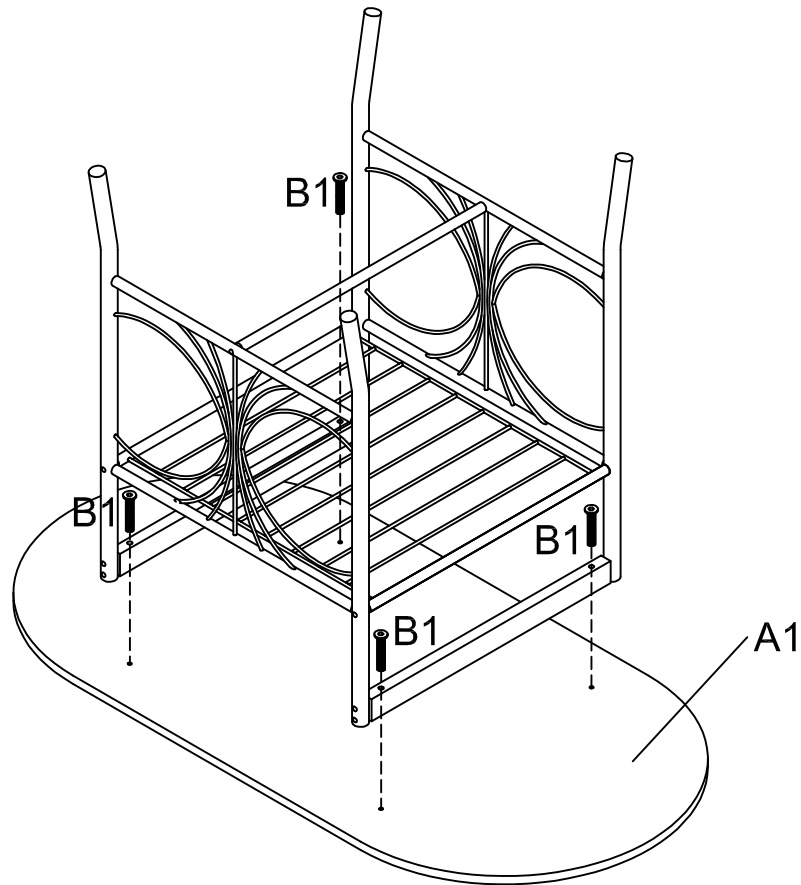
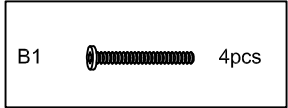


B2  6pcs

B3  1pcs

Assemble the other Side Frame A2 to Connect Bars A3&A5 using Bolts B2&B3.
Note: Please do not tighten all bolts until Step 3.

Step 3

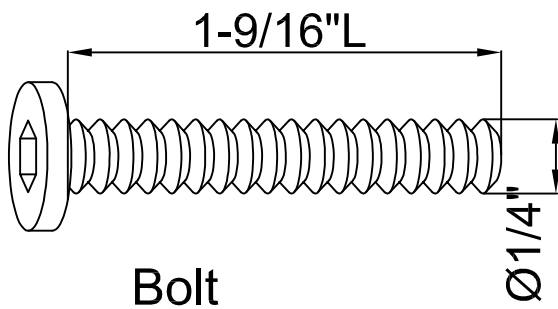


Assemble Connect Bars A3 to Table Top A1 using Bolts B1.

Note: Please do not tighten Bolts B1 until all of them are attached, then place the table to the floor to check if it is stable before tighten all bolts in 100%.

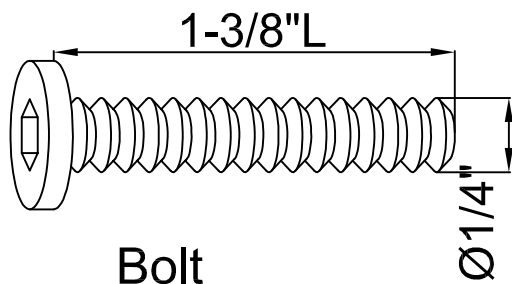
APPENDIX: Dimension of hardware in this AI.

B1



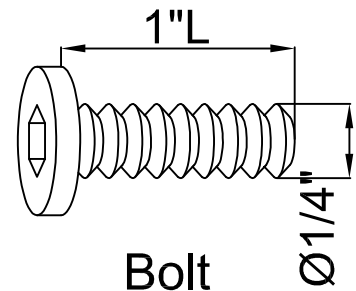
Bolt

B2



Bolt

B3



Bolt