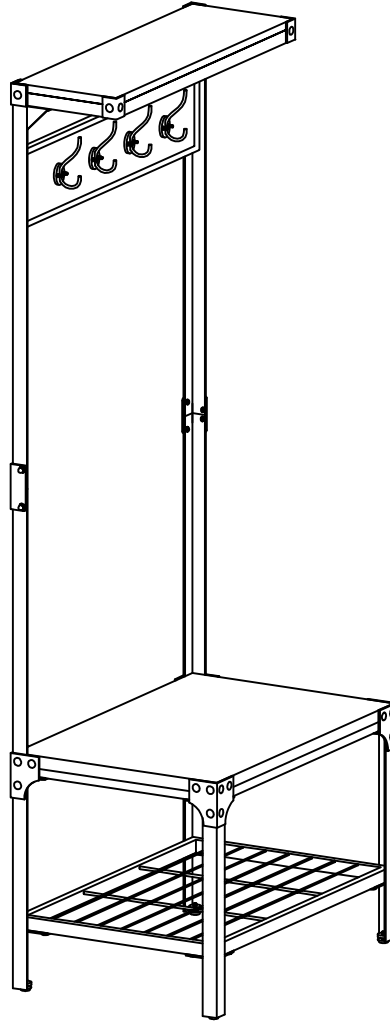


# ASSEMBLY INSTRUCTIONS






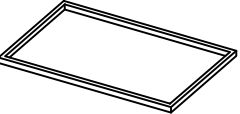
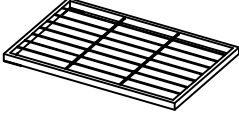

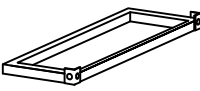
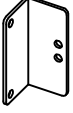
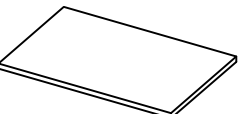


## Style # CR2776 Coat Rack



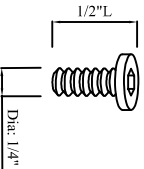
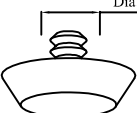
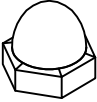

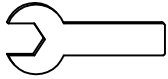

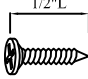
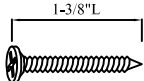
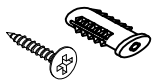
### NOTE TO CUSTOMERS:

- For ease and speed of assembly we recommend that before you commence each step of the assembly that you identify all the parts required to complete that step.
- We recommend that where possible you allow sufficient space to assemble the item as close as possible to the place where it will be once assembled.
- For the protection of your furniture we recommend that the product is placed on protected surfaces during assembly to prevent any damage.
- During assembly do not over tighten ,as this may damage the product.
- Please ensure you retain all the product packaging until the item completely assembled.
- Please periodically check all fittings and re-tighten as necessary.
- Never allow any liquids to remain on your furniture as absorption can cause the wood to warp or the finish to de-laminate.
- It is recommended that this item should be assembled by two adults.

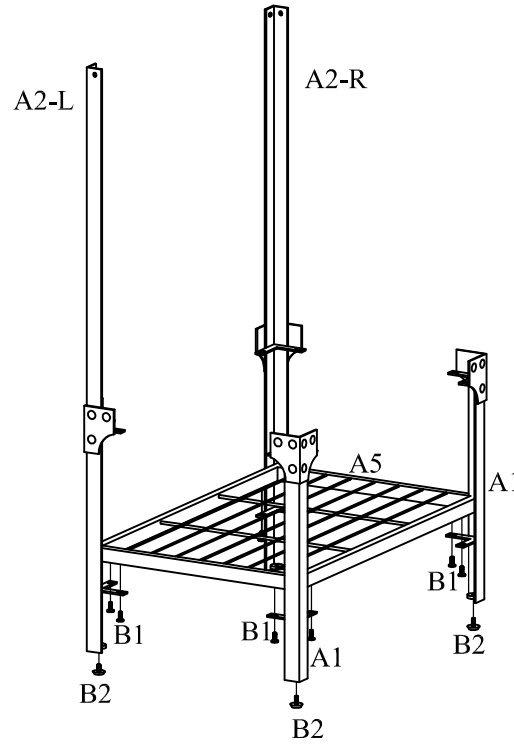
# Part List



|  |                  |  |                  |  |                  |   |                  |   |                  |
|--|------------------|--|------------------|--|------------------|---|------------------|---|------------------|
| A1   | Quantity<br>of 2 | A2-L   | Quantity<br>of 1 | A2-R   | Quantity<br>of 1 | A3-L  | Quantity<br>of 1 | A3-R  | Quantity<br>of 1 |
|   |                  |   |                  |   |                  |  |                  |  |                  |
| Front Leg  |                  | Left Lower Back Leg  |                  | Right Lower Back Leg   |                  | Left Upper Back Leg   |                  | Right Upper Back Leg  |                  |
| A4   | Quantity<br>of 1 | A5   | Quantity<br>of 1 | A6   | Quantity<br>of 1 | A7  | Quantity<br>of 1 | A8  | Quantity<br>of 2 |
|   |                  |   |                  |   |                  |   |                  |  |                  |
| Seat Frame   |                  | Shelf Frame  |                  | Back Frame   |                  | Top Frame   |                  | Connector   |                  |
| A9   | Quantity<br>of 1 | A10  | Quantity<br>of 1 | A11  | Quantity<br>of 1 |   |                  |   |                  |
|  |                  |  |                  |  |                  |   |                  |   |                  |
| Seat Panel   |                  | Back Panel   |                  | Top Panel  |                  |   |                  |   |                  |

# Hardware List:

|   |                   |   |                  |  |                   |   |                   |
|---|-------------------|---|------------------|--|-------------------|---|-------------------|
| B1  | Quantity<br>of 32 | B2  | Quantity<br>of 4 | B3   | Quantity<br>of 8  | B4  | Quantity<br>of 1  |
|  |                   |  |                  |  |                   |  |                   |
| Bolt  |                   | Adjustable Leveler  |                  | Nut  |                   | Allen Key   |                   |
| B5  | Quantity<br>of 1  | B6  | Quantity<br>of 4 | B7   | Quantity<br>of 12 | B8  | Quantity<br>of 10 |
|  |                   |  |                  |   |                   |  |                   |
| Wrench  |                   | Hook  |                  | Screw  |                   | Screw   |                   |
| B9  |                   |   |                  |  |                   |   |                   |
|  |                   |   |                  |  |                   |   |                   |
| Anchor with screw   |                   |   |                  |  |                   |   |                   |

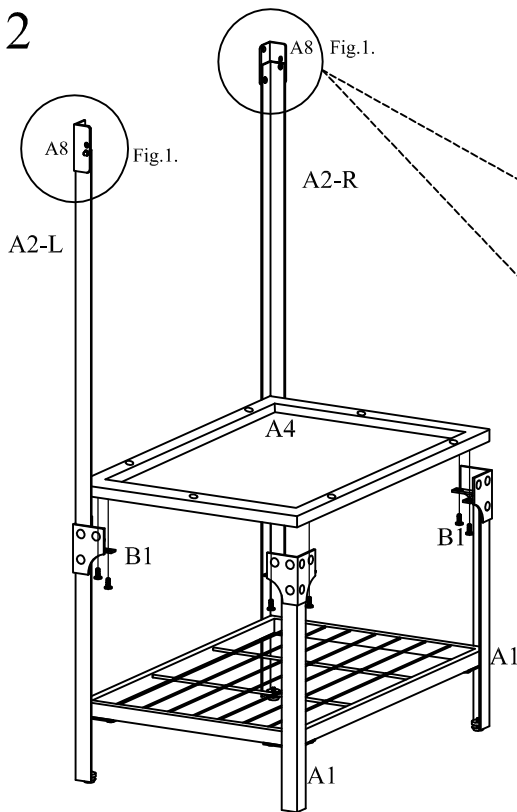
# Step 1







|    |   |      |
|----|---|------|
| B1 |  | 8PCS |
| B2 |  | 4PCS |

- 1). Attach Adjustable Levelers B2 to the bottom of Front Legs A1 & Lower Back Legs A2-L & A2-R.
  2. Assemble Front Legs A1, Lower Back Legs A2-L & A2-R to Shelf Frame A5 using Bolts B1.
- NOTE: Please do not tighten Bolts B1 until Step 7.

# Step 2



|    |   |       |
|----|---|-------|
| B1 |  | 12PCS |
| B3 |  | 4PCS  |
| B4 |  | 1PC   |
| B5 |  | 1PC   |

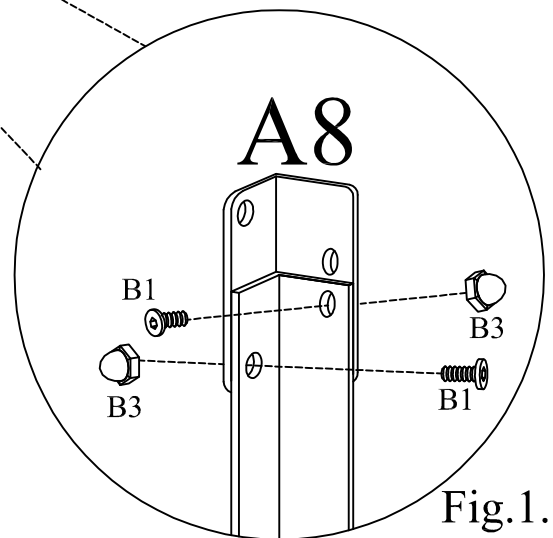
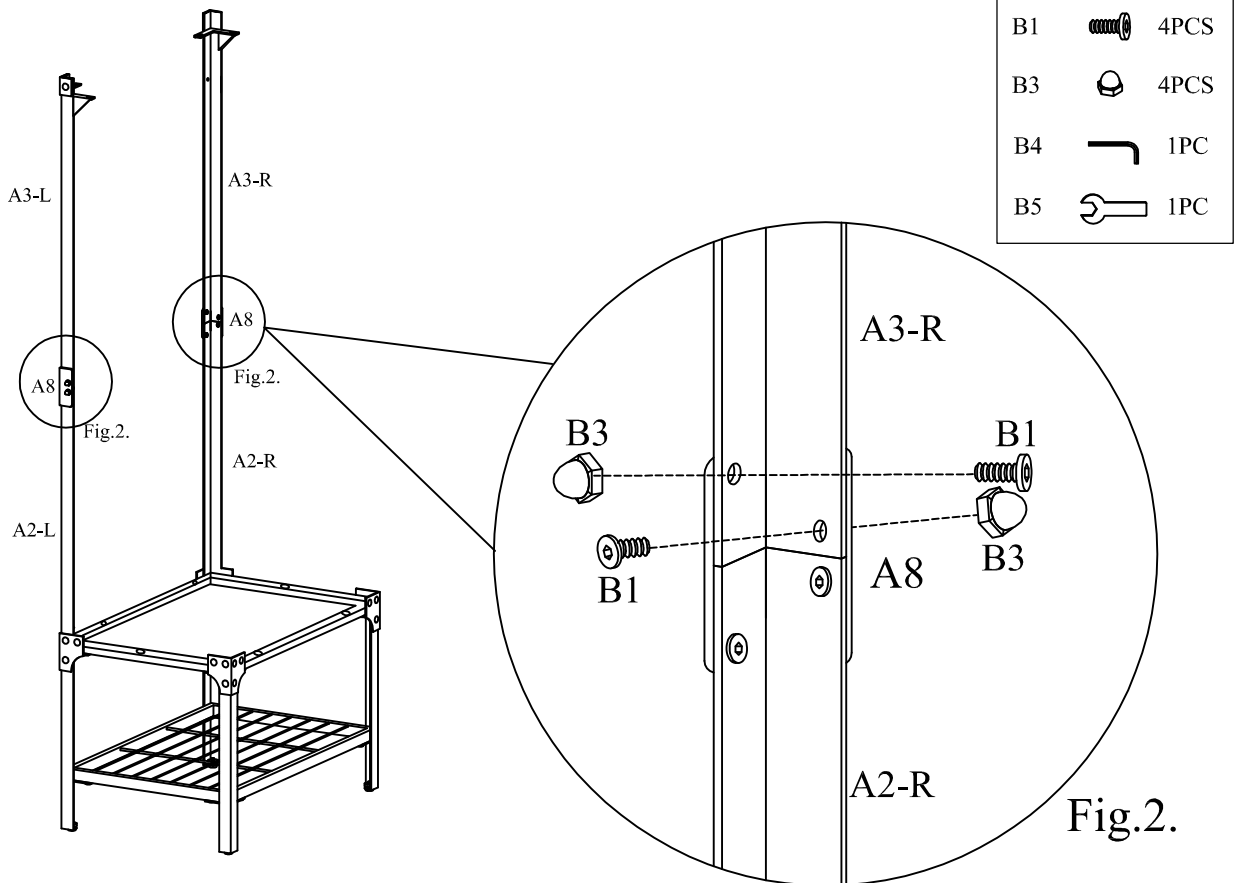


Fig.1.

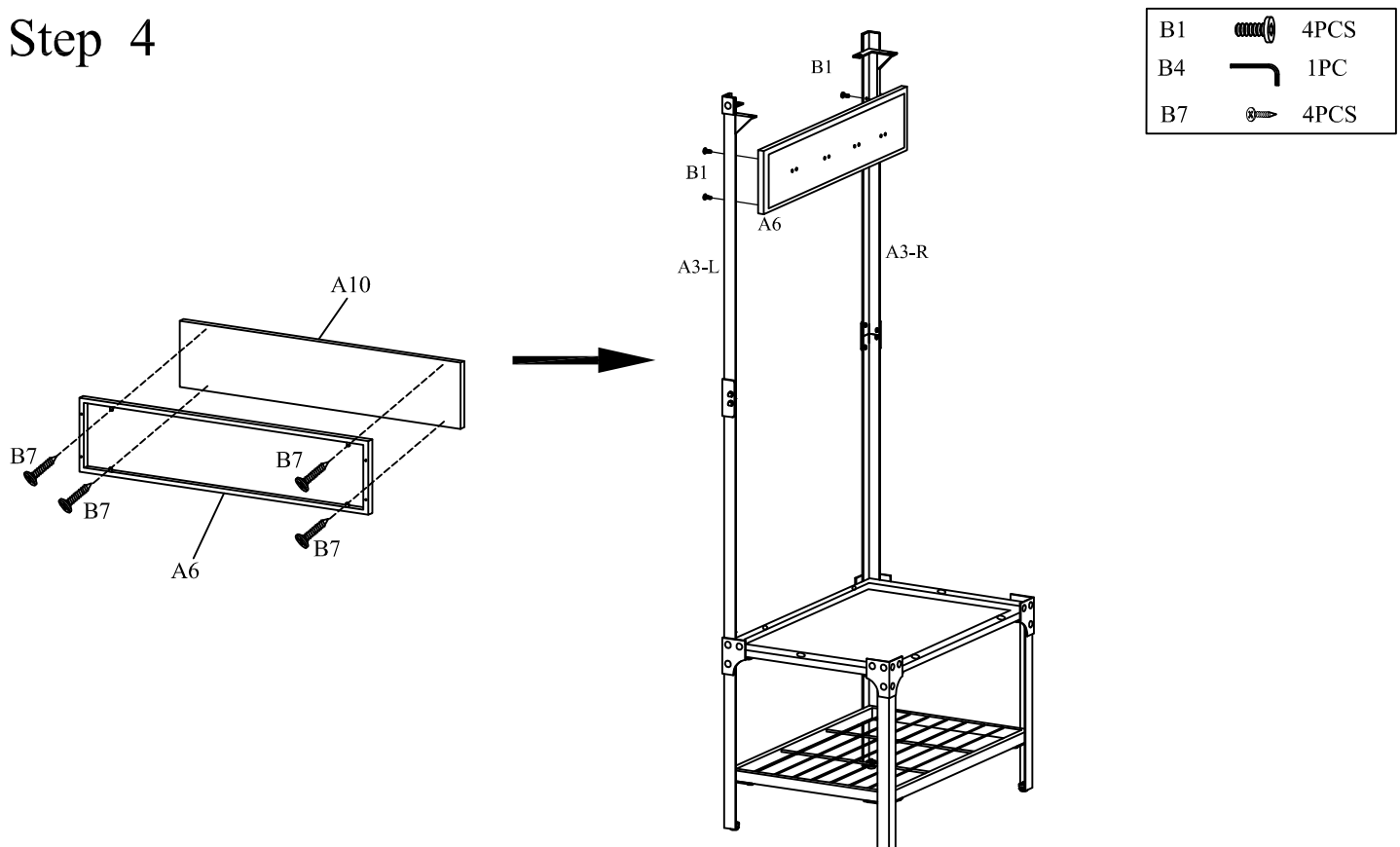
- 1). Assemble Seat Frame A4 to Front Legs A1, Lower Back Legs A2-L & A2-R using Bolts B1.  
NOTE: Please do not tighten Bolts B1 until step 7.
- 2). Assemble Connectors A8 to Lower Back Legs A2-L & A2-R using Bolts B1 & Nuts B3. Refer Fig.1.

## Step 3



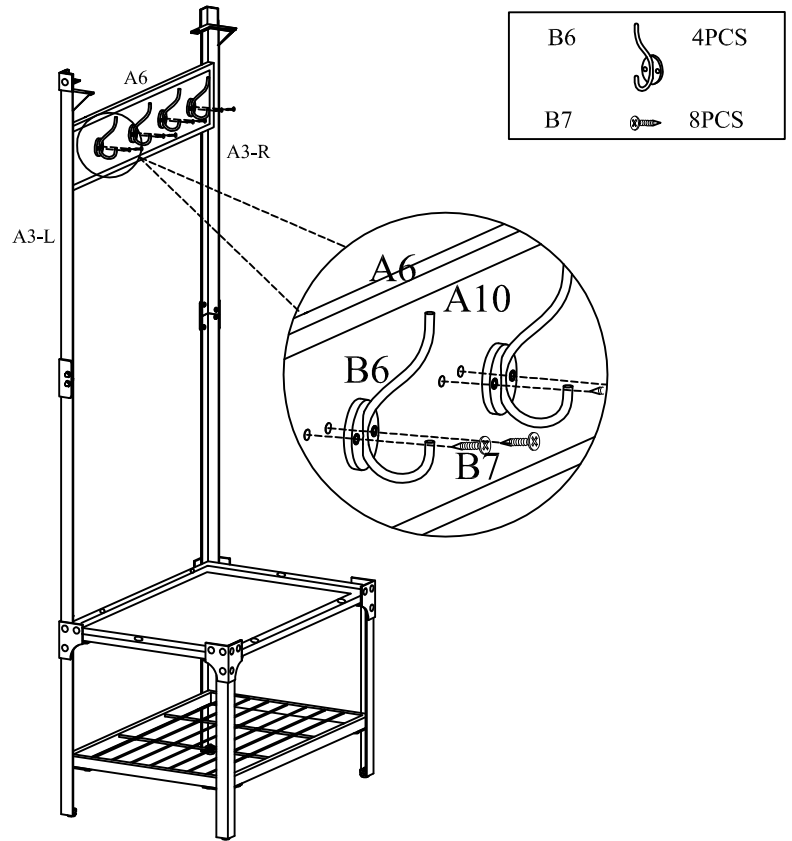
Assemble Left & Right Upper Back Legs A3-L & A3-R to Connectors A8 using Bolts B1 & Nuts B3. Refer Fig.2.

## Step 4



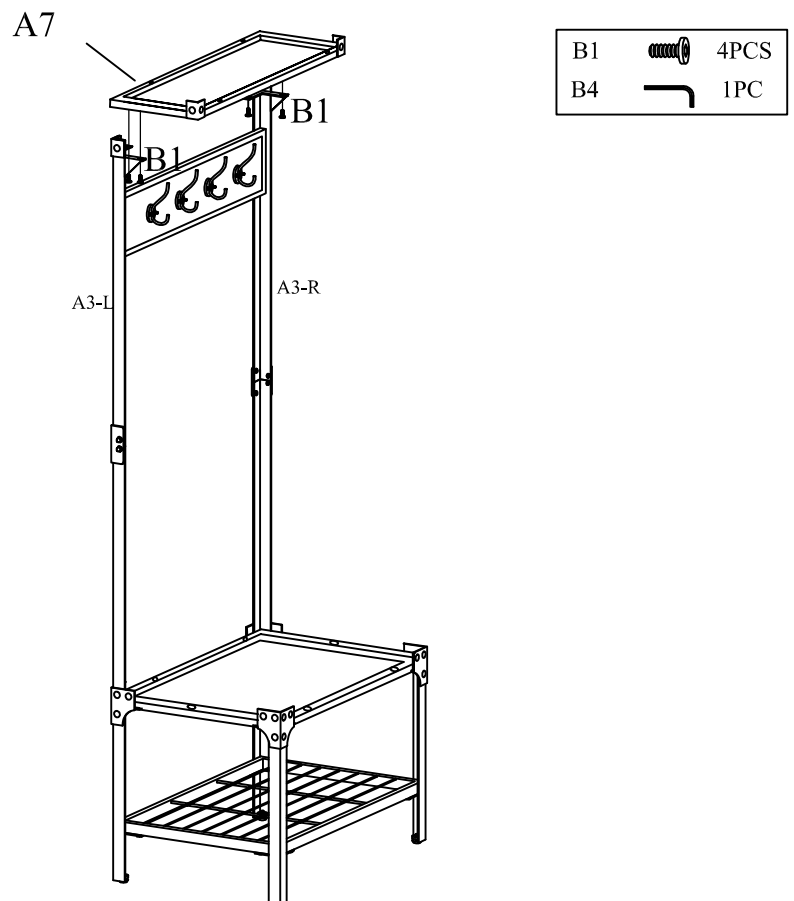
- 1). Assemble Back Panel A10 to Back Frame A6 using Screws B7.
  - 2). Assemble Back Frame A6 to Upper Back Legs A3-L & A3-R using Bolts B1.
- NOTE: Please do not tighten Bolts B1 until step 7.

# Step 5



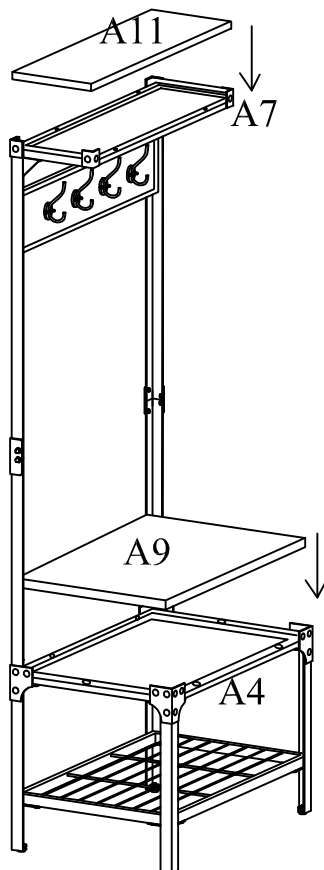
Assemble Hooks B6 to Back Panel A10 using Screws B7. ( Holes for screws B7 are pre-drilled)  
NOTE: Please do not tighten Bolts B1 until step 7.

# Step 6



Assemble Top Frame A7 to Upper Back Legs A3-L & A3-R using Bolts B1.  
NOTE: Please do not tighten Bolts B1 until step 7.

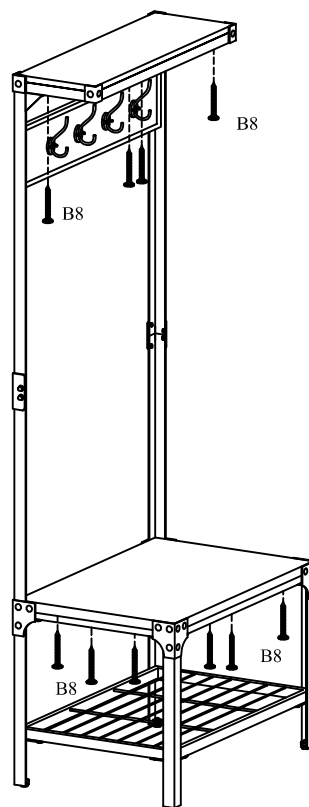
## Step 7



- 1). Place Top Panel A11 into Top Frame A7, Place Seat Panel A9 to Seat Frame A4.
- 2). Place the coat rack on the floor to check if it is stable before tightening all bolts B1.

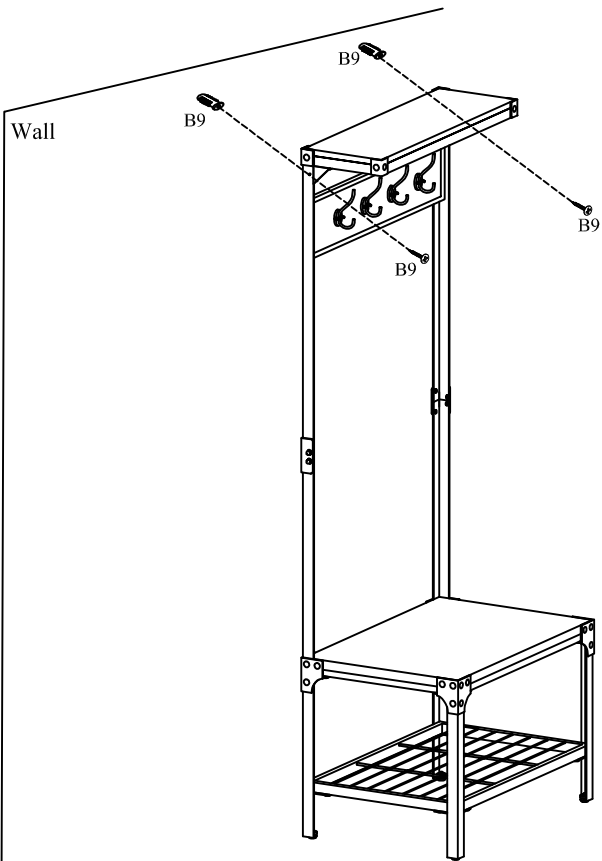
## Step 8

B8  10PCS



- 1). Tighten Top Panel A11 Top Frame A7 using Screws B8.
- 2). Tighten Seat Panel A9 to Seat Frame A4 using Screws B8.

B9  2SETS



For your safety, please attached this unit to the wall by Anchor with screws B9 as shown above.