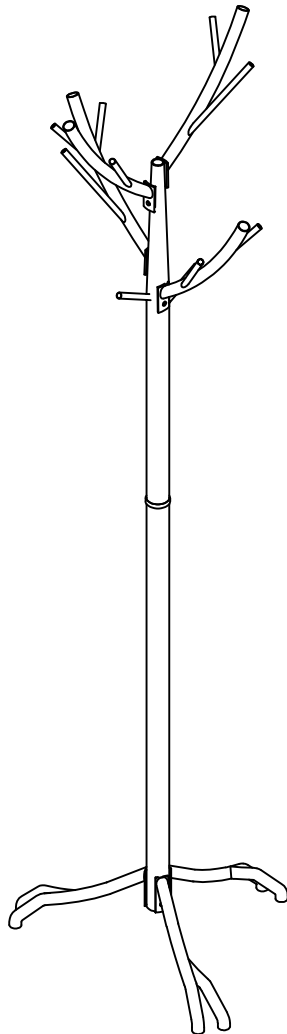


ASSEMBLY INSTRUCTIONS

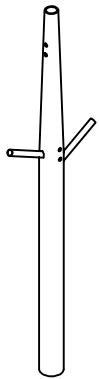
Style # CR1475 Coat Rack



NOTE TO CUSTOMERS:

- For ease and speed of assembly we recommend that before you commence each step of the assembly that you identify all the parts required to complete that step.
- We recommend that where possible you allow sufficient space to assemble the item as close as possible to the place where it will be once assembled.
- For the protection of your furniture we recommend that the product is placed on protected surfaces during assembly to prevent any damage.
- During assembly do not to over tighten, as this may damage the product.
- Please ensure you retain all the product packaging until the item completely assembled.
- Please periodically check all fittings and re-tighten as necessary.
- It is recommended that this item should be assembled by two adults.

Part List



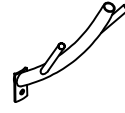
A1 1PC



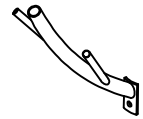
A2 1PC



A3 3PCS

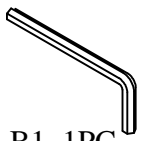


A4 3PCS



A5 1PC

Hardware List



B1 1PC



$\frac{1}{4}$ "*12mm
C1 7PCS

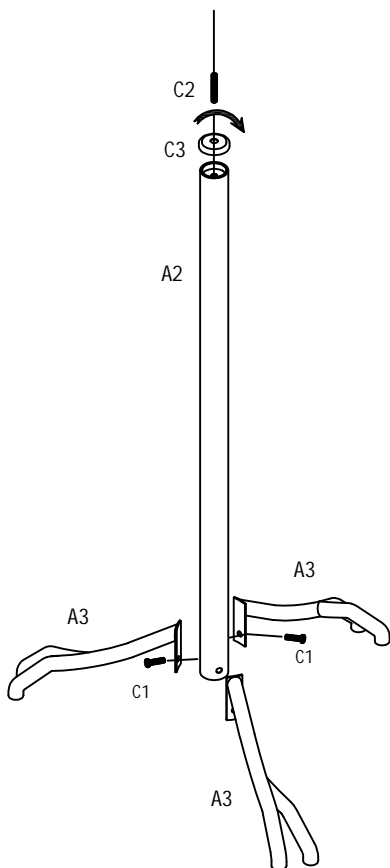


$\frac{5}{16}$ "*45mm
C2 1PC

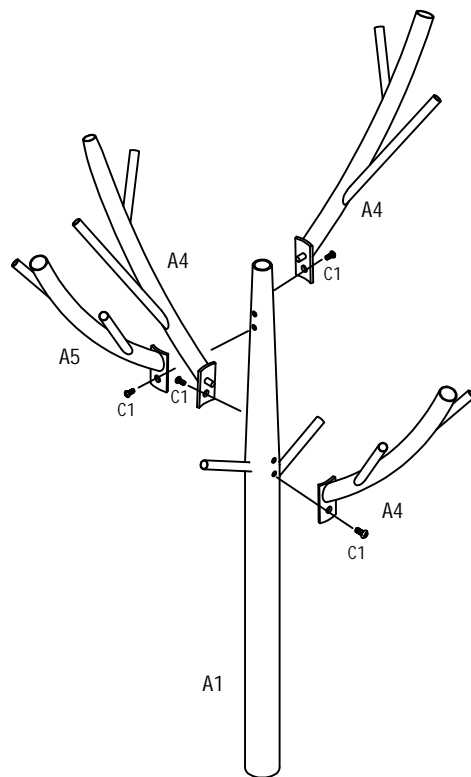


C3 1PC

Step 1:



Step 2:



Step 3:

