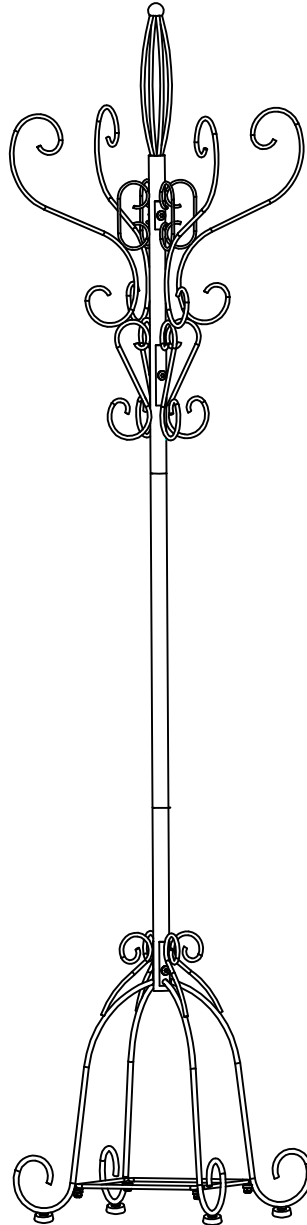


# ASSEMBLY INSTRUCTIONS

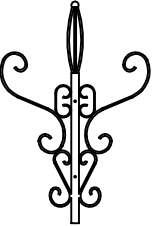

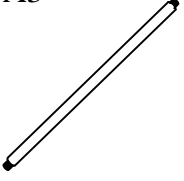
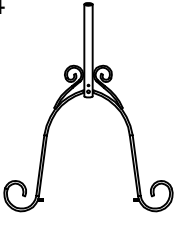

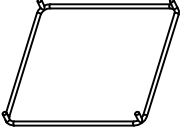
Style # CR1471 Coat rack



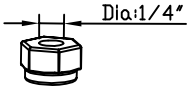
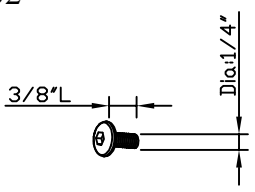
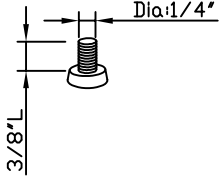
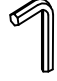
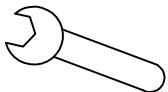
## NOTE TO CUSTOMERS:

- For ease and speed of assembly we recommend that before you commence each step of the assembly that you identify all the parts required to complete that step.
- We recommend that where possible you allow sufficient space to assemble the item as close as possible to the place where it will be once assembled.
- For the protection of your furniture we recommend that the product is placed on protected surfaces during assembly to prevent any damage.
- During assembly do not over tighten, as this may damage the product.
- Please ensure you retain all the product packaging until the item completely assembled.
- Please periodically check all fittings and re-tighten as necessary.
- It is recommended that this item should be assembled by two adults.

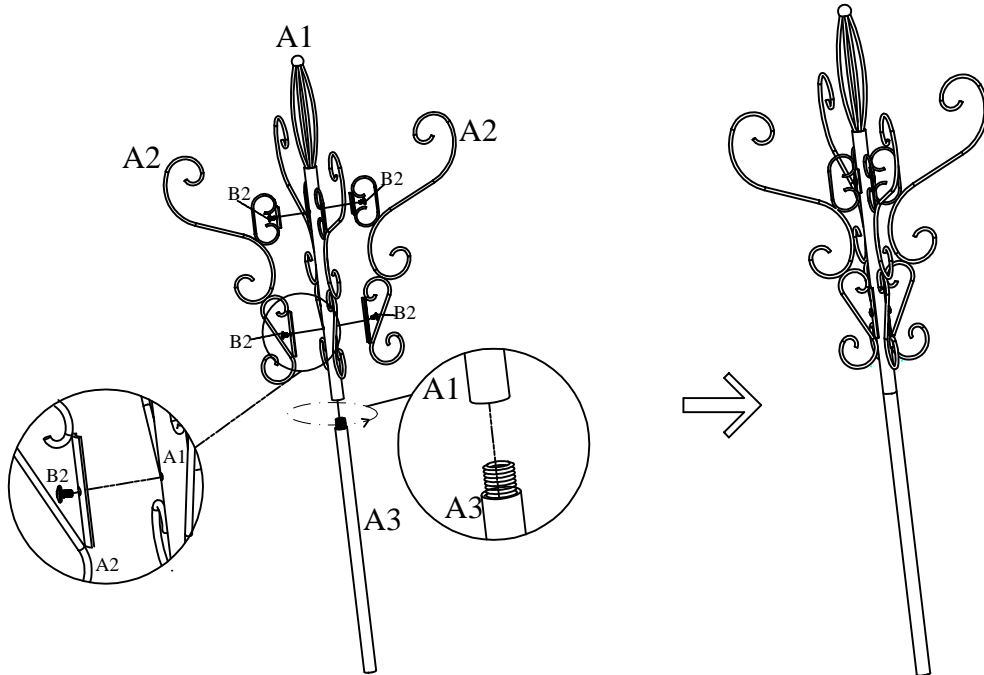
## Part List

<p>A1</p>  <p>Top Pole 1PC</p>	<p>A2</p>  <p>Hook 2PCS</p>	<p>A3</p>  <p>Middle Pole 1PC</p>	<p>A4</p>  <p>Bottom Pole 1PC</p>	<p>A5</p>  <p>Leg 2PCS</p>	<p>A6</p>  <p>Bottom Frame 1PC</p>
---	--	--	---	---	---

## Hardware List

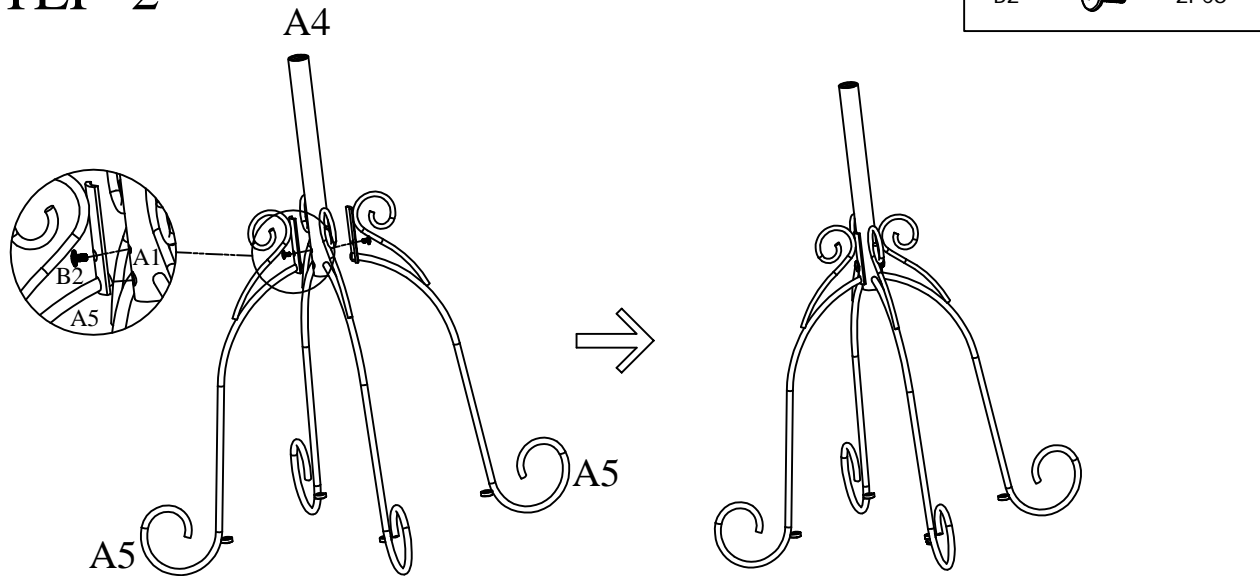
<p>B1</p>  <p>Nut 4PCS</p>	<p>B2</p>  <p>Bolt 6PCS</p>	<p>B3</p>  <p>Adjustable Leveler 4PCS</p>	 <p>Allen Wrench 1PC</p>	 <p>Spanner 1PC</p>
---	--	--	---	--

## STEP 1



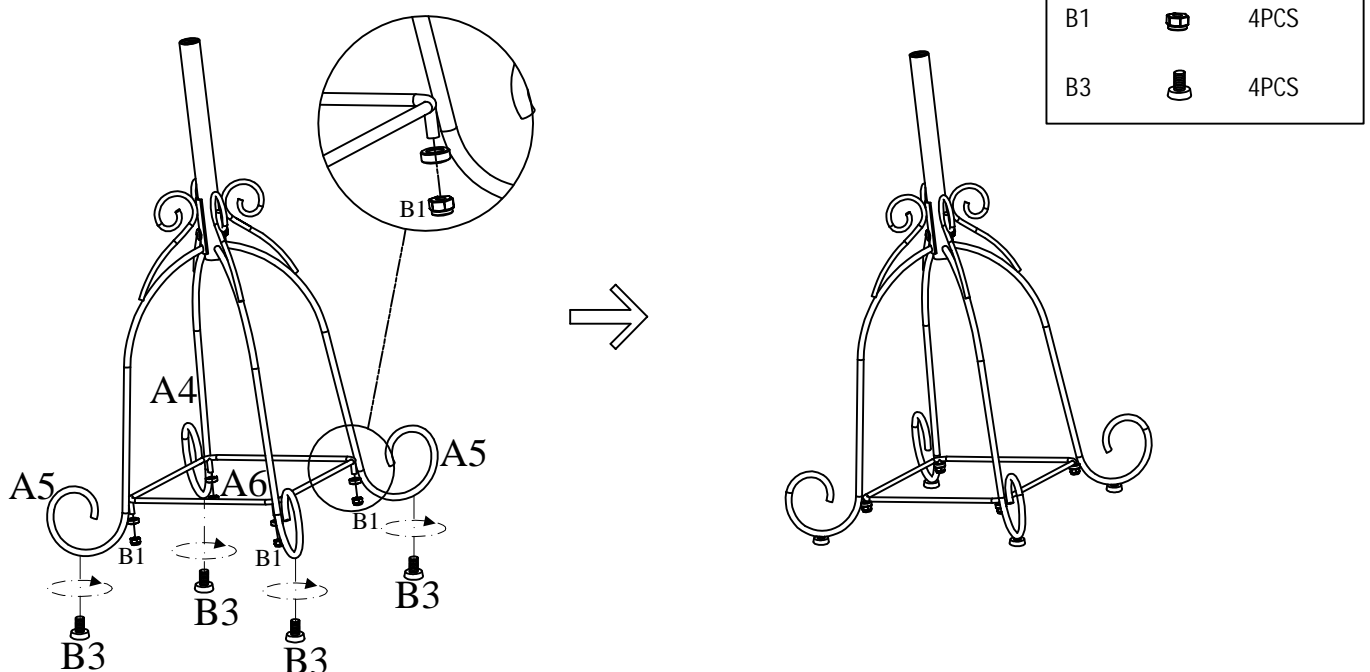
- 1). Attach the hooks A2 to the top pole A1 using bolts B2.
- 2). Then tighten the middle pole A3 to the top pole A1.

## STEP 2



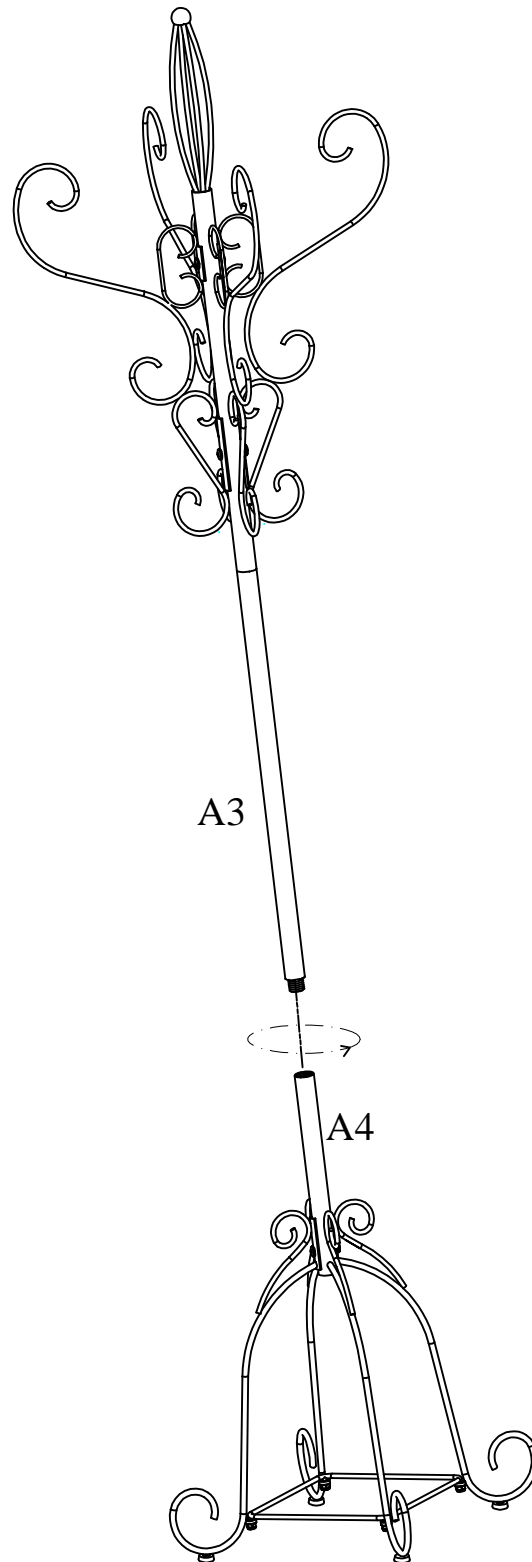
Attach the legs A5 to the bottom pole A4 using bolts B2. Please do not tighten bolts B2 until step 4.

## STEP 3



- 1).Tighten Adjustable Levelers (B3) to bottom Poles A4 and legs A5.
- 2).Insert the bottom frame A6 to the holes on legs A5 ,then tighten them with nuts B1. Please do not tighten nuts B1 until Step 4.

## STEP 4



- 1). Attach middle pole A3 to the **Bottom Pole (A4)** as shown above.
- 2). Place this coat rack on the floor to check if it is stable before tightening bolts B2 & nuts B1 at this point.