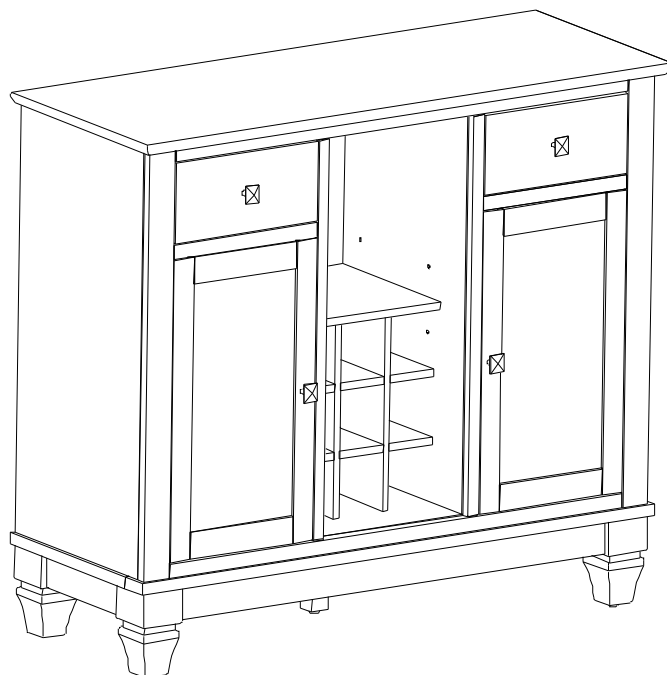


ASSEMBLY INSTRUCTIONS

MODEL # C6403 SERVER

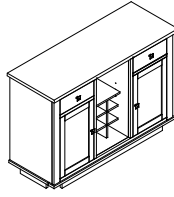


NOTE TO CUSTOMERS:

- For ease and speed of assembly we recommend that before you commence each step of the assembly that you identify all the parts required to complete that step.
- We recommend that where possible you allow sufficient space to assemble the item as close as possible to the place where it will be once assembled.
- For the protection of your furniture we recommend that the product is placed on protected surfaces during assembly to prevent any damage.
- During assembly do not over tighten the screws or bolts, as this may damage the product.
- Please ensure you retain all the product packaging until the item is completely assembled.
- Periodically check all fitting and re-tighten as necessary.
- Never allow any liquids to remain on your furniture as absorption can cause the wood to warp or finish to de-laminate.
- It is recommended that this item should be assembled by two adults.

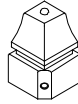
PARTS IDENTIFICATION

A- Server Case



1 pc

B- Leg



4 pcs

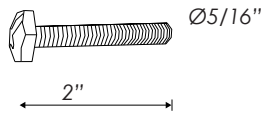
C- Center Support



1 pc

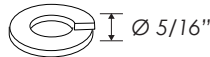
HARDWARE IDENTIFICATION

1- Hex Bolt 5/16" x 2"



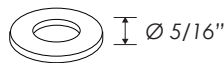
4 pcs

2- Lock Washer 5/16" x 13mm



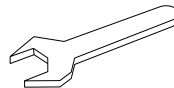
4 pcs

3- Flat Washer 5/16" x 22mm



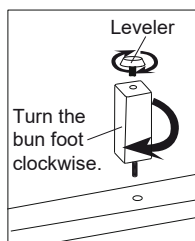
4 pcs

4- Wrench 12.8mm

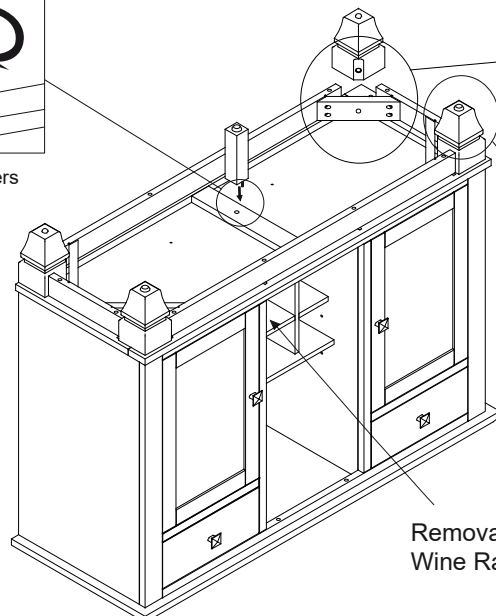


1 pc

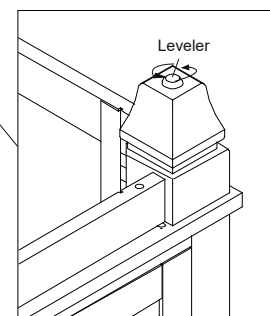
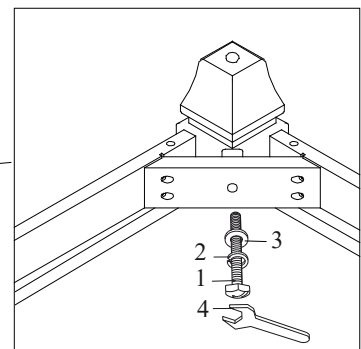
NOTE: Quantities shown are for one server. Bolts are metric screw threads



Adjust the levelers to level the unit.



Removable Wine Rack



Adjust the levelers to level the unit

FRONT ONLY