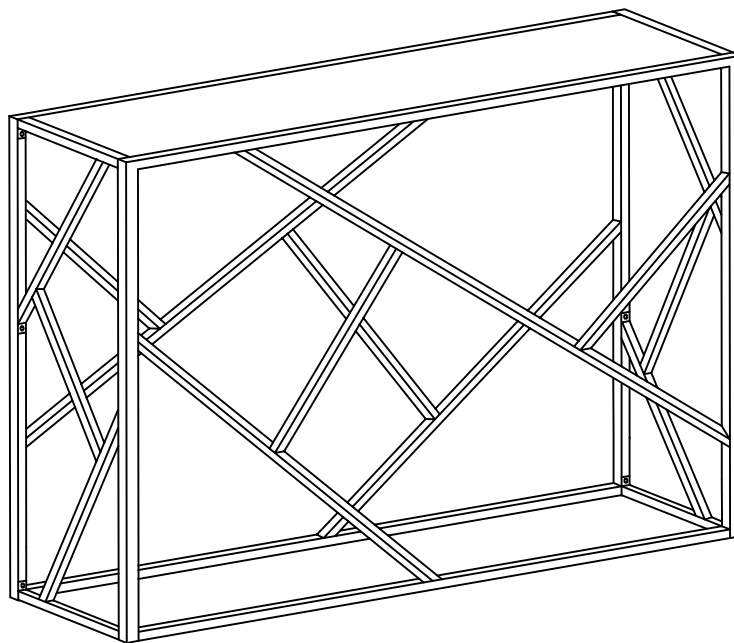


# ASSEMBLY INSTRUCTIONS

## Style # C1321 Console Table

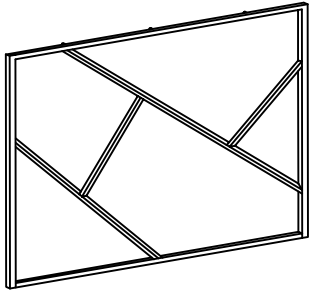


### NOTE TO CUSTOMERS:

- For ease and speed of assembly we recommend that before you commence each step of the assembly that you identify all the parts required to complete that step.
- We recommend that where possible you allow sufficient space to assemble the item as close as possible to the place where it will be once assembled.
- For the protection of your furniture we recommend that the product is placed on protected surfaces during assembly to prevent any damage.
- During assembly do not over tighten, as this may damage the product.
- Please ensure you retain all the product packaging until the item completely assembled.
- Please periodically check all fittings and re-tighten as necessary.
- Never allow any liquids to remain on your furniture as absorption can cause the wood to warp or the finish to de-laminate.
- It is recommended that this item should be assembled by two adults.

## Part List

A1



Frame

2PCS

A2



Side Frame

2PCS

A3

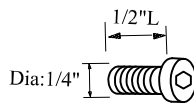


Top Panel

1PC

## Hardware List

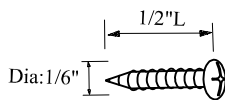
B1



Bolt

12PCS

B2



Screw

6PCS

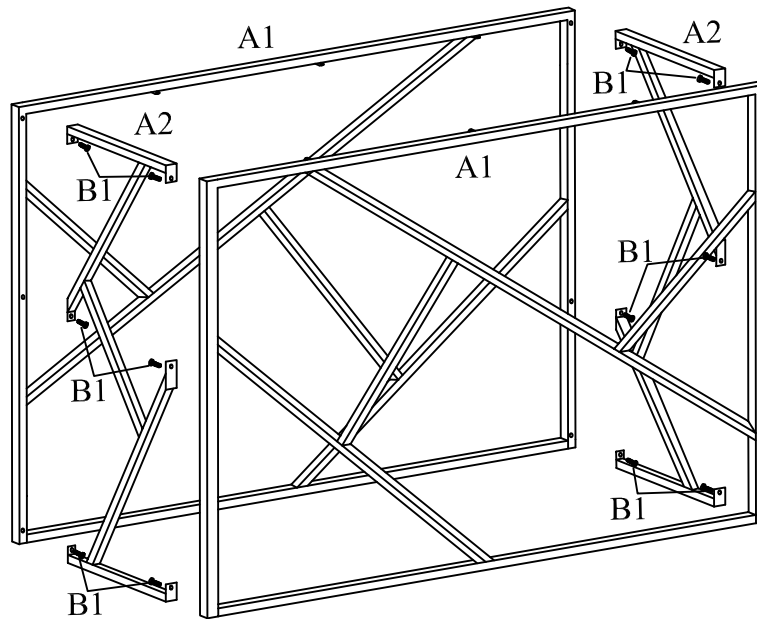


Allen Wrench

1PC

## STEP 1

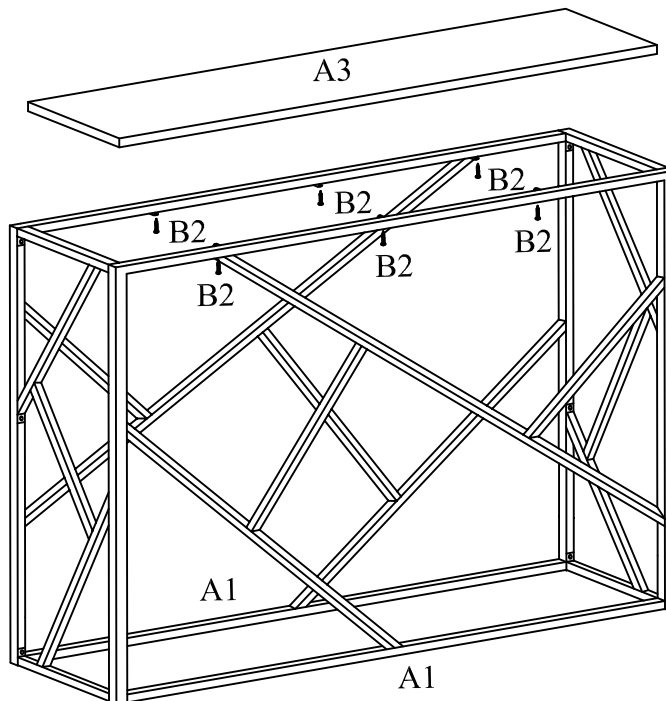
B1  12pcs



Assemble Frames A1 to Side Frames A2 using Bolts B1.  
Noted: Please do not tighten Bolts B1 until Step 2.

## STEP 2

B2  6pcs



Assemble Top Panel A3 to Frames A1 using Screws B2.  
Noted: Place the table on the floor and check if it is stable before tightening all bolts.